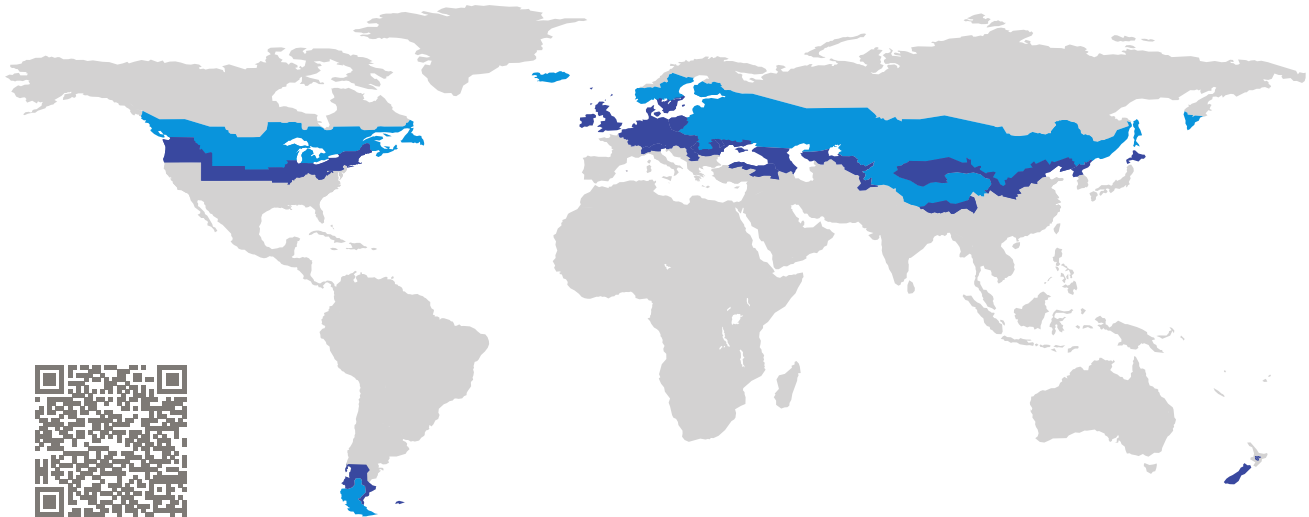


# CERTIFICATE

Certified Passive House Component

Component-ID 1072sk02 valid until 31st December 2017

Passive House Institute  
Dr. Wolfgang Feist  
64283 Darmstadt  
Germany

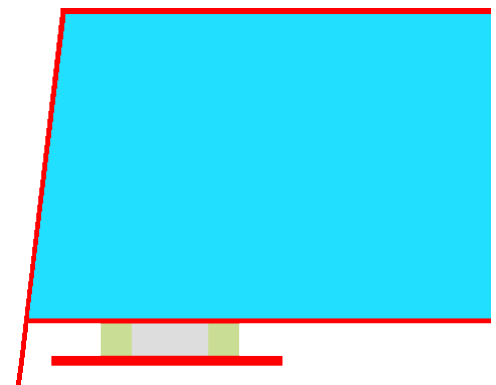


Category: **Skylight (Roof hatch)**  
Manufacturer: **Hans Börner GmbH & Co. KG,  
Nauheim,  
Germany**  
Product name: **Nauheimer Dunkelklappe**

**This certificate was awarded based on the following  
criteria for the cold climate zone**

Comfort  $U_{SK} = 0.25 \leq 0.80 \text{ W}/(\text{m}^2 \text{ K})$   
 $U_{SK, \text{installed}} \leq 0.80 \text{ W}/(\text{m}^2 \text{ K})$   
with  $U_g = 0.19 \text{ W}/(\text{m}^2 \text{ K})$

Hygiene  $f_{Rsi=0.25} \geq 0.75$

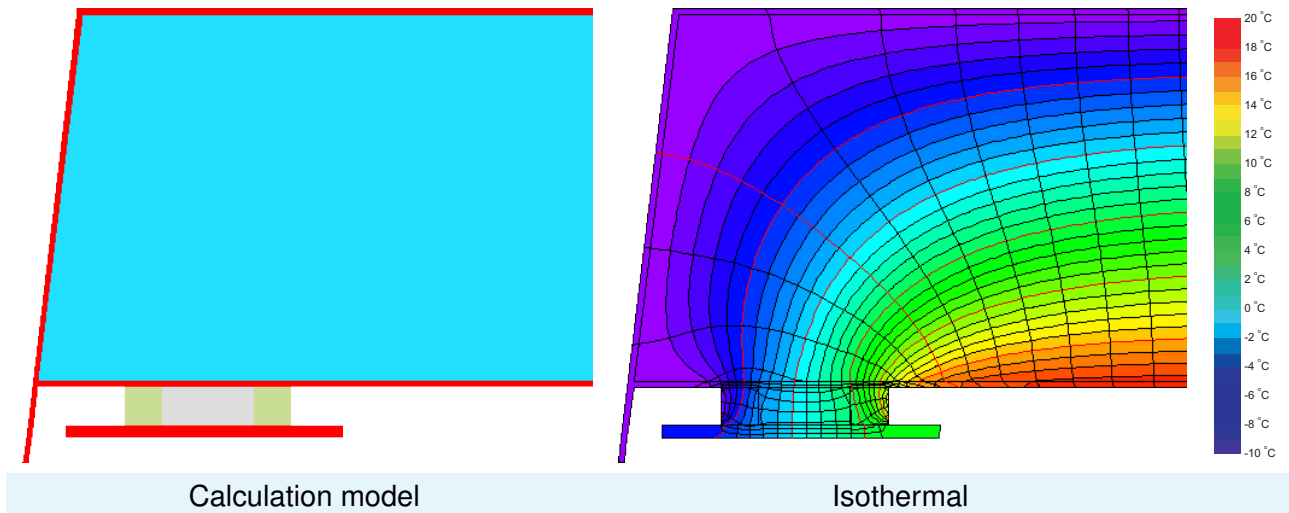


cold climate



**CERTIFIED  
COMPONENT**

Passive House Institute



## Description

Glassfibre reinforced plastic frame, insulated by 150 mm Polyurethanfoam (0,028 W/(mK)). Note: The thermal quality of the system depends significantly on the installation situation. Therefore, the bottom-element should be covered with insulation as good as possible.

## Explanation




The window U-values were calculated for the test window size of 1.50 m × 1.50 m with  $U_g = 0.19 \text{ W}/(\text{m}^2 \text{ K})$ . If a higher quality glazing is used, the window U-values will improve as follows:

Glazing	$U_g =$	0.19	0	0	0	W/(m <sup>2</sup> K)
		↓	↓	↓	↓	
Window	$U_W =$	0.25	0	0	0	W/(m <sup>2</sup> K)

Transparent building components are classified into efficiency classes depending on the heat losses through the opaque part. The frame U-Values, frame widths, thermal bridges at the glazing edge, and the glazing edge lengths are included in these heat losses. A more detailed report of the calculations performed in the context of certification is available from the manufacturer.

The Passive House Institute has defined international component criteria for seven climate zones. In principle, components which have been certified for climate zones with higher requirements may also be used in climates with less stringent requirements. In a particular climate zone it may make sense to use a component of a higher thermal quality which has been certified for a climate zone with more stringent requirements.

Further information relating to certification can be found on [www.passivehouse.com](http://www.passivehouse.com) and [passipedia.org](http://passipedia.org).

Frame values			Frame width $b_f$ mm	$U$ -value frame $U_f$ W/(m <sup>2</sup> K)	$\Psi$ -glass edge $\Psi_g$ W/(m K)	Temp. Factor $f_{Rsi=0.25}$ [-]
Top	(to)		127	0.37	0.000	0.76
Side	(s)		127	0.37	0.000	0.76
Bottom	(bo)		127	0.37	0.000	0.76
			Spacer: -	Secondary seal: -		

### Validated installations

