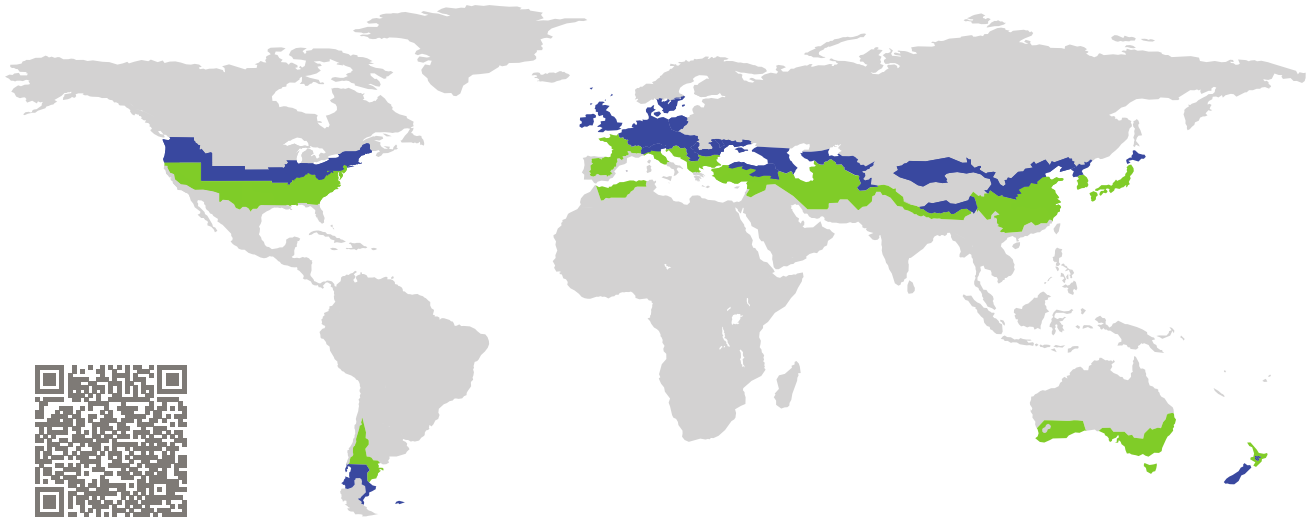


CERTIFICATE

Certified Passive House Component

Component-ID 0160cw03 valid until 31st December 2017

Passive House Institute
Dr. Wolfgang Feist
64283 Darmstadt
Germany

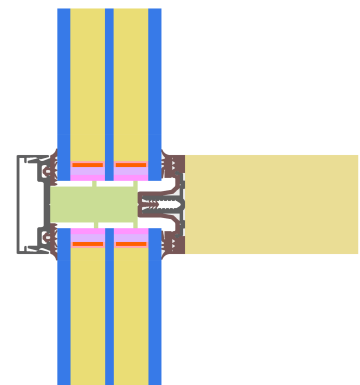


Category: **Curtain Wall**
Manufacturer: **MBJ Fassadentechnik GmbH,**
Germany
Product name: **System Holz - PH**

This certificate was awarded based on the following criteria for the cool, temperate climate zone

Comfort $U_{CW} = 0.80 \leq 0.80 \text{ W}/(\text{m}^2 \text{ K})$
 $U_{CW, \text{installed}} \leq 0.85 \text{ W}/(\text{m}^2 \text{ K})$
with $U_g = 0.70 \text{ W}/(\text{m}^2 \text{ K})$

Hygiene $f_{Rsi=0.25} \geq 0.70$



cool, temperate climate



**CERTIFIED
COMPONENT**

Passive House Institute

Passive House
efficiency class

phE

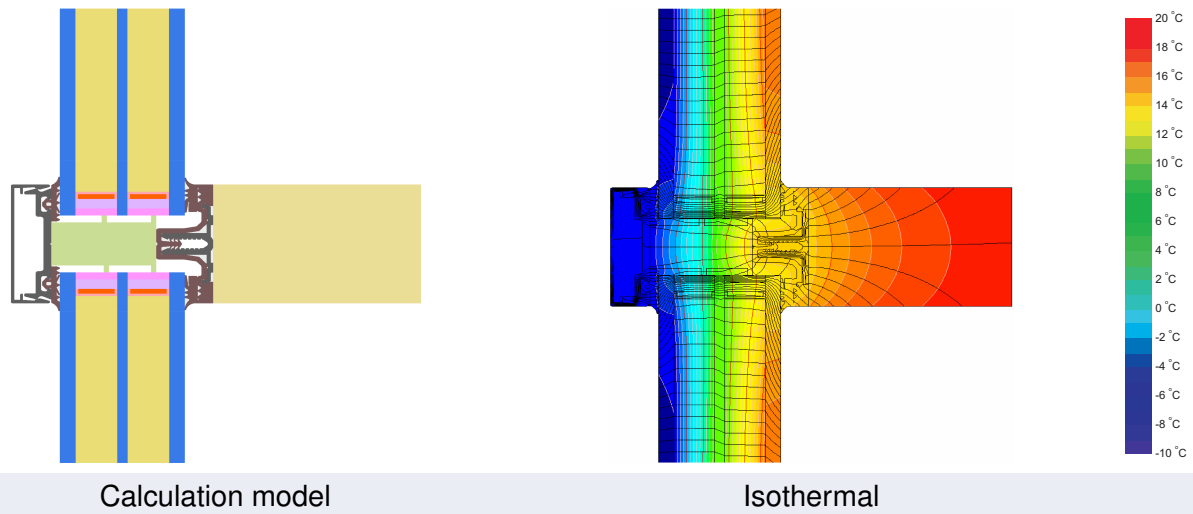
phD

phC

phB

phA

www.passivehouse.com



Description

Timber construction, Aluminium covering- and pressure-strip. PE-foam insulator in the glazing rebate. Plastic glass-carrier on stainless steel screws. The screw-losses were carried out by 3D-thermal flux simulation (PHI), for the glass-carrier losses, the default-values according to the certification criteria were taken into account. Used Pane: 48 mm (6/16/4/16/6), intersection of the Glass: 13 mm. Used spacer: Swisspacer V

Explanation

The element U-values were calculated for the test element size of 1.20 m × 2.50 m with $U_g = 0.70 \text{ W}/(\text{m}^2 \text{ K})$. If a higher quality glazing is used, the element U-values will improve as follows:

Glazing	$U_g =$	0.70	0.69	0.58	0.53	W/(m ² K)
		↓	↓	↓	↓	
Element	U_{CW}	0.80	0.79	0.69	0.64	W/(m ² K)

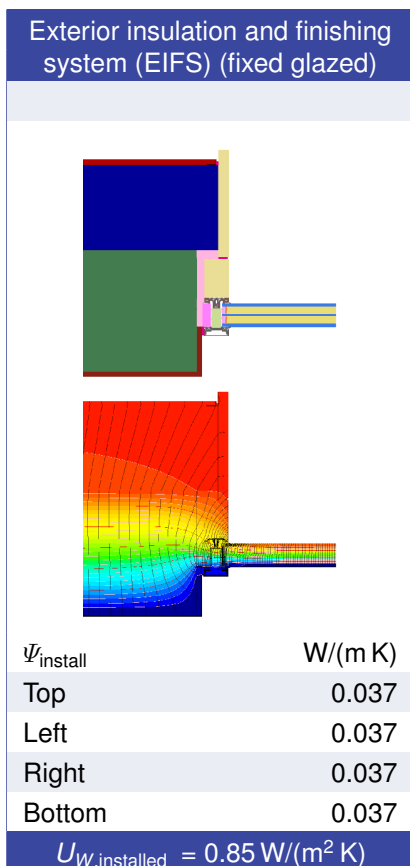
Transparent building components are classified into efficiency classes depending on the heat losses through the opaque part. The frame U-Values, frame widths, thermal bridges at the glazing edge, and the glazing edge lengths are included in these heat losses. A more detailed report of the calculations performed in the context of certification is available from the manufacturer.

The Passive House Institute has defined international component criteria for seven climate zones. In principle, components which have been certified for climate zones with higher requirements may also be used in climates with less stringent requirements. In a particular climate zone it may make sense to use a component of a higher thermal quality which has been certified for a climate zone with more stringent requirements.

Further information relating to certification can be found on www.passivehouse.com and passipedia.org.

Frame values			Frame width b_f mm	U -value frame U_f^1 W/(m ² K)	Ψ -glass edge Ψ_g W/(m K)	Temp. Factor $f_{Rsi=0.25}$ [-]
Top fixed	(tof)		50	0.97	0.034	0.78
Side fixed	(sf)		50	0.97	0.034	0.78
Bottom fixed	(bof)		50	0.97	0.034	0.78
Mullion fixed	(m)		50	0.97	0.034	0.78
Transom fixed	(tf)		50	0.97	0.034	0.78
Spacer: SWISSPACER V			Secondary seal: Polysulfide			
Thermal glass carrier bridge ² $\chi_{GT} = 0.004$ W/K						

Validated installations



¹ Includes $\Delta U = 0.23$ W/(m² K). Determined through 3D - FEM Simulation

² Standard value . Glas support type : Non-Metallic Glass Carrier with Screws

