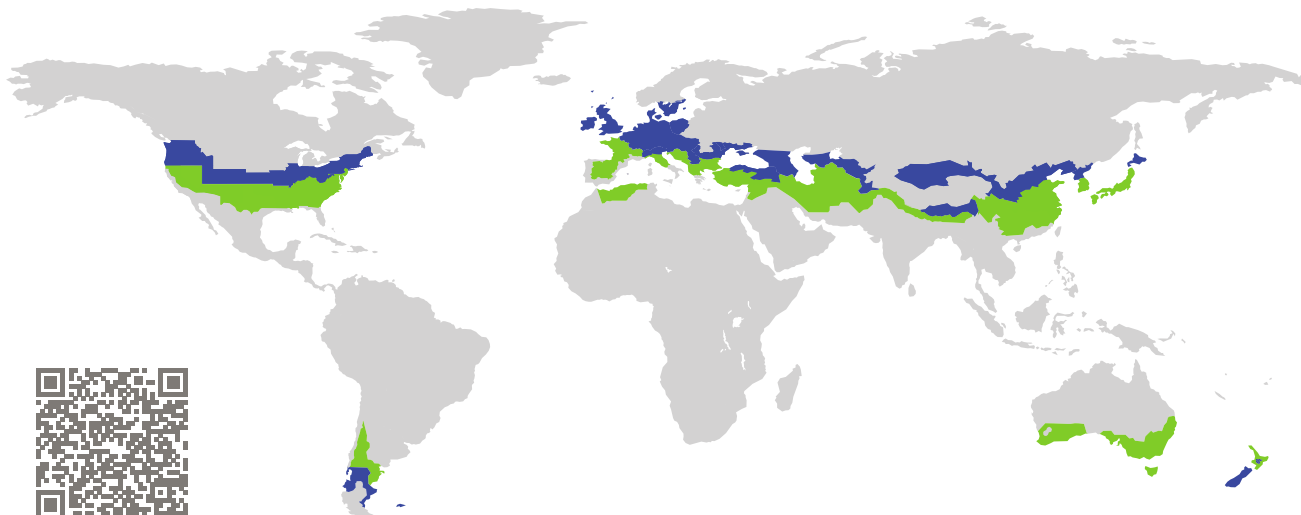


CERTIFICATE

Certified Passive House Component

Component-ID 0683sl03 valid until 31st December 2017

Passive House Institute
Dr. Wolfgang Feist
64283 Darmstadt
Germany

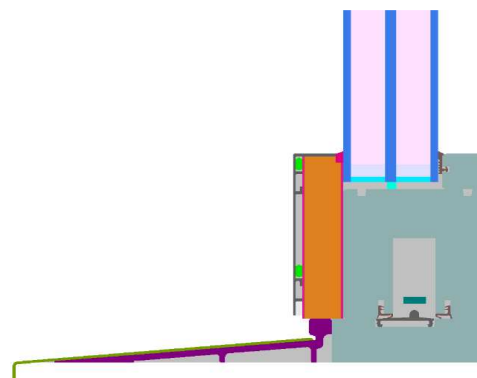


Category: **Sliding Door**
Manufacturer: **Pazen Fenster+Technik GmbH,
Wittlich,
Germany**
Product name: **ENERslide**

**This certificate was awarded based on the following
criteria for the cool, temperate climate zone**

Comfort $U_{SL} = 0.80 \leq 0.80 \text{ W}/(\text{m}^2 \text{ K})$
 $U_{SL, \text{installed}} \leq 0.85 \text{ W}/(\text{m}^2 \text{ K})$
with $U_g = 0.70 \text{ W}/(\text{m}^2 \text{ K})$

Hygiene $f_{Rsi=0.25} \geq 0.70$



Passive House
efficiency class

phE

phD

phC

phB

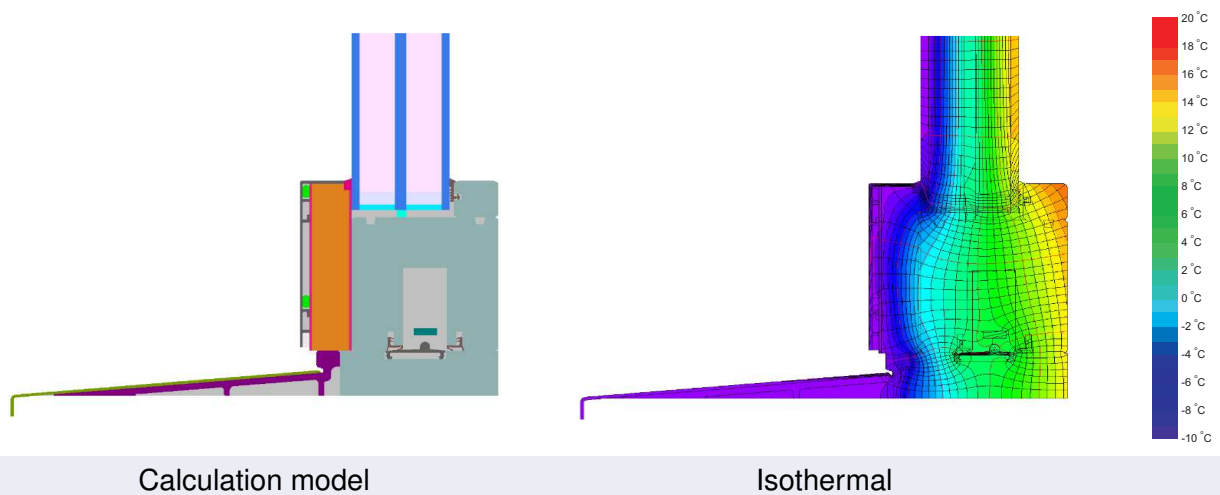
phA

cool, temperate climate



**CERTIFIED
COMPONENT**

Passive House Institute



Description

Timber Window frame, rainprotected by aluminium cladding, insulated by XPS (0,028 W/(mK)), EPS (0,040 W/(mK)) and Resol foam in the mullion (0,022 W/(mK)). Used spacer: SWISSPACER Ultimate with polyurethane as secondary seal. Used Pane: 50 mm (4/18/6/18/4), intersection of the glass: 15 mm.

Explanation








The window U-values were calculated for the test window size of 2.40 m × 2.50 m with $U_g = 0.70 \text{ W}/(\text{m}^2 \text{ K})$. If a higher quality glazing is used, the window U-values will improve as follows:

Glazing	$U_g =$	0.70	0.66	0.60	0.54	W/(m ² K)
		↓	↓	↓	↓	
Window	$U_{SL} =$	0.80	0.74	0.69	0.64	W/(m ² K)


Transparent building components are classified into efficiency classes depending on the heat losses through the opaque part. The frame U-Values, frame widths, thermal bridges at the glazing edge, and the glazing edge lengths are included in these heat losses. A more detailed report of the calculations performed in the context of certification is available from the manufacturer.

The Passive House Institute has defined international component criteria for seven climate zones. In principle, components which have been certified for climate zones with higher requirements may also be used in climates with less stringent requirements. In a particular climate zone it may make sense to use a component of a higher thermal quality which has been certified for a climate zone with more stringent requirements.

Further information relating to certification can be found on www.passivehouse.com and passipedia.org.

Frame values			Frame width b_f mm	U -value frame U_f W/(m ² K)	Ψ -glass edge Ψ_g W/(m K)	Temp. Factor $f_{Rsi=0.25}$ [-]
Top	(to)		136	0.87	0.024	0.70
Side	(s)		149	0.69	0.023	0.70
Top fixed	(tof)		94	0.63	0.024	0.70
Side fixed	(sf)		94	0.58	0.023	0.70
Bottom fixed	(bof)		64	0.68	0.022	0.70
Threshold	(th)		119	0.87	0.023	0.70
Mullion 1 casement	(m1)		114	1.02	0.023	0.70

Spacer: SWISSPACER Ultimate Secondary seal: Polyurethane



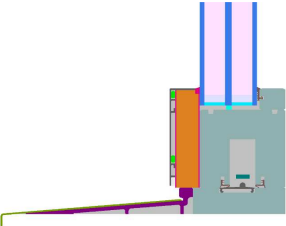
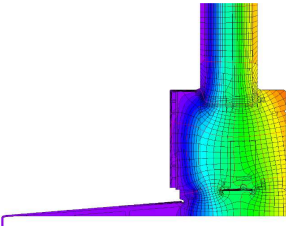
Threshold


$b_f = 119.00$ mm

$U_f = 0.87$ W/(m² K)

$\Psi_g = 0.023$ W/(m K)

$f_{Rsi} = 0.70$



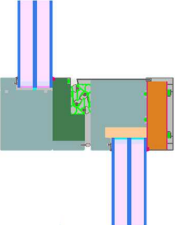
Mullion
1 casement

$b_f = 114.00$ mm

$U_f = 1.02$ W/(m² K)

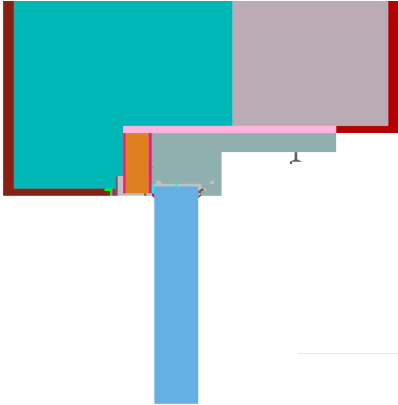
$\Psi_g = 0.023$ W/(m K)

$f_{Rsi} = 0.70$



Exterior insulation and finishing system (EIFS) (fixed glazed)

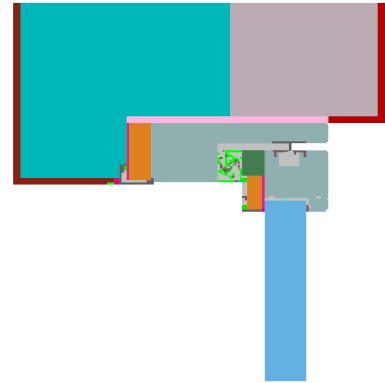
$$U_1 = 0.13 \text{ [W/(m}^2 \text{ K)]}$$



$$\Psi_{\text{install}} = -0.00 \text{ W/(m K)}$$

Exterior insulation and finishing system (EIFS) (operable)

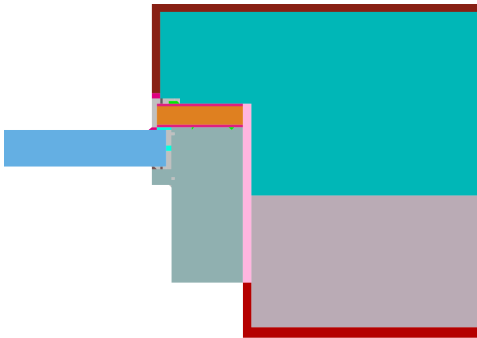
$$U_1 = 0.13 \text{ [W/(m}^2 \text{ K)]}$$



$$\Psi_{\text{install}} = 0.03 \text{ W/(m K)}$$

Exterior insulation and finishing s (EIFS) side (fixed glazed)

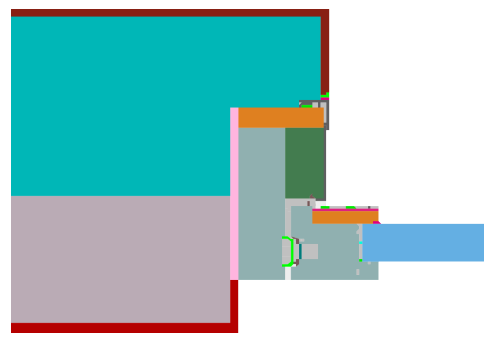
$$U_1 = 0.13 \text{ [W/(m}^2 \text{ K)]}$$



$$\Psi_{\text{install}} = -0.00 \text{ W/(m K)}$$

Exterior insulation and finishing s (EIFS) side (operable)

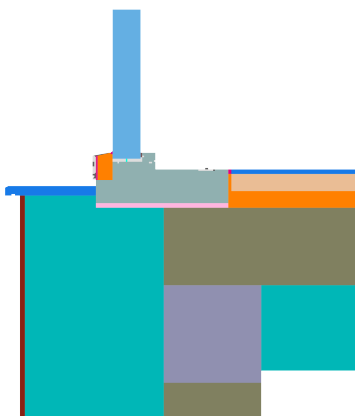
$$U_1 = 0.13 \text{ [W/(m}^2 \text{ K)]}$$



$$\Psi_{\text{install}} = 0.04 \text{ W/(m K)}$$

Exterior insulation and finishing system (EIFS) bottom (fixed)

$$U_1 = 0.13 \quad U_2 = 0.14 \text{ [W/(m}^2 \text{ K)]}$$



$$\Psi_{\text{install}} = 0.02 \text{ W/(m K)}$$

