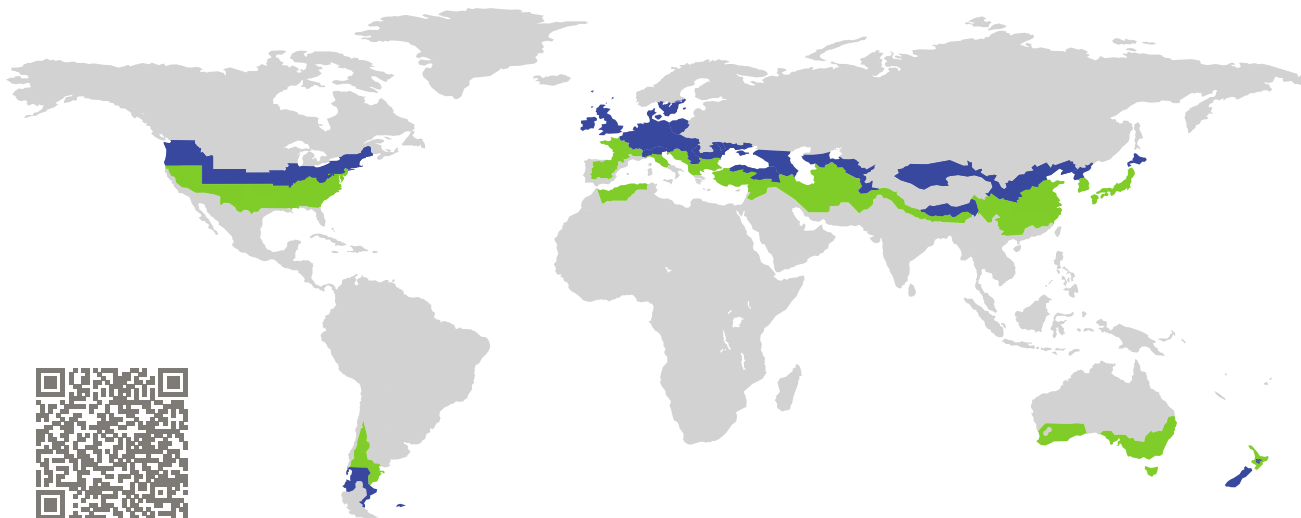


# CERTIFICATE

Certified Passive House Component

Component-ID 0739cw03 valid until 31st December 2017

Passive House Institute  
Dr. Wolfgang Feist  
64283 Darmstadt  
Germany

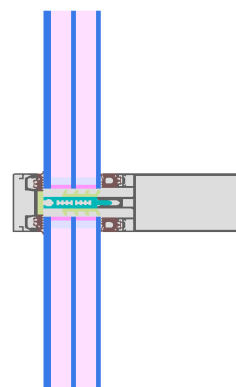


Category: **Curtain Wall**  
Manufacturer: **SCHÜCO International KG,  
Bielefeld,  
Germany**  
Product name: **Schüco FWS 50.SI**

**This certificate was awarded based on the following  
criteria for the cool, temperate climate zone**

Comfort  $U_{CW} = 0.80 \leq 0.80 \text{ W}/(\text{m}^2 \text{ K})$   
 $U_{CW, \text{installed}} \leq 0.85 \text{ W}/(\text{m}^2 \text{ K})$   
with  $U_g = 0.70 \text{ W}/(\text{m}^2 \text{ K})$

Hygiene  $f_{Rsi=0.25} \geq 0.70$



Passive House  
efficiency class

phE

phD

phC

phB

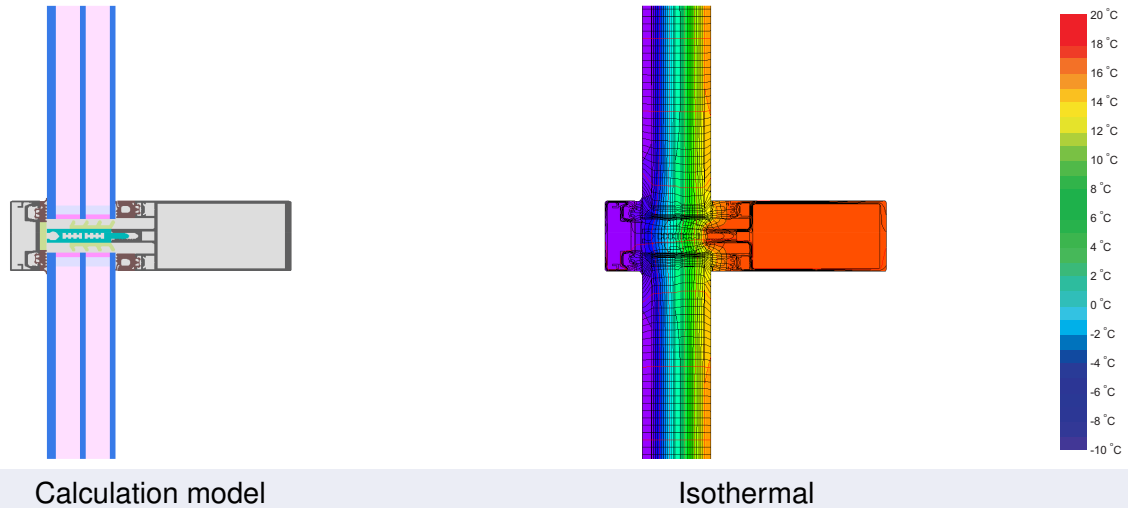
phA

cool, temperate climate



**CERTIFIED  
COMPONENT**

Passive House Institute



**Description**

Aluminum curtain wall, insulated by PE-foam (0,038 W/(mK)) and PET-foam (0,035 W/(mK)). Reduction of the radiation losses by low emmissivity tape. Pane thickness: 46 mm (6/16/4/16/4), rebate depth: 13 mm, spacer: SWISSPACER Ultimate.

**Explanation**

The element U-values were calculated for the test element size of 1.20 m × 2.50 m with  $U_g = 0.70 \text{ W}/(\text{m}^2 \text{ K})$ . If a higher quality glazing is used, the element U-values will improve as follows:

Glazing	$U_g =$	0.70	0.69	0.58	0.53	W/(m <sup>2</sup> K)
		↓	↓	↓	↓	
Element	$U_{CW}$	0.80	0.79	0.69	0.64	W/(m <sup>2</sup> K)

Transparent building components are classified into efficiency classes depending on the heat losses through the opaque part. The frame U-Values, frame widths, thermal bridges at the glazing edge, and the glazing edge lengths are included in these heat losses. A more detailed report of the calculations performed in the context of certification is available from the manufacturer.

The Passive House Institute has defined international component criteria for seven climate zones. In principle, components which have been certified for climate zones with higher requirements may also be used in climates with less stringent requirements. In a particular climate zone it may make sense to use a component of a higher thermal quality which has been certified for a climate zone with more stringent requirements.

Further information relating to certification can be found on [www.passivehouse.com](http://www.passivehouse.com) and [passipedia.org](http://passipedia.org).

Frame values			Frame width $b_f$ mm	$U$ -value frame $U_f^1$ W/(m <sup>2</sup> K)	$\Psi$ -glass edge $\Psi_g$ W/(m K)	Temp. Factor $f_{Rsi=0.25}$ [-]
Top fixed	(tof)		50	0.88	0.035	0.79
Side fixed	(sf)		50	0.88	0.034	0.79
Bottom fixed	(bof)		50	0.88	0.035	0.79
Mullion fixed	(m)		50	0.88	0.034	0.79
Transom fixed	(tf)		50	0.88	0.035	0.79
Transom 1 casement	(t1)		156	1.20	0.031	0.79
Spacer: SWISSPACER Ultimate			Secondary seal: Polysulfide			
Thermal glass carrier bridge <sup>2</sup> $\chi_{GT} = 0.014$ W/K						

## Validated installations

Lighthweight timber (fixed glazed)		Ventilated facade (fixed glazing)		Exterior insulation and finishing system (EIFS) (fixed glazed)	
$\Psi_{install}$	W/(m K)	$\Psi_{install}$	W/(m K)	$\Psi_{install}$	W/(m K)
Top	0.038	Top	0.035	Top	0.034
Left	0.038	Left	0.035	Left	0.034
Right	0.038	Right	0.035	Right	0.034
Bottom	0.042	Bottom	0.037	Bottom	0.037
$U_{W,installed} = 0.86$ W/(m <sup>2</sup> K)		$U_{W,installed} = 0.85$ W/(m <sup>2</sup> K)		$U_{W,installed} = 0.85$ W/(m <sup>2</sup> K)	

<sup>1</sup> Includes  $\Delta U = 0.17$  W/(m<sup>2</sup> K). Determined through 3D - FEM Simulation

<sup>2</sup> Determined through 3D - FEM Simulation . Glas support type : Non-Metallic Glass Carrier with Screws

