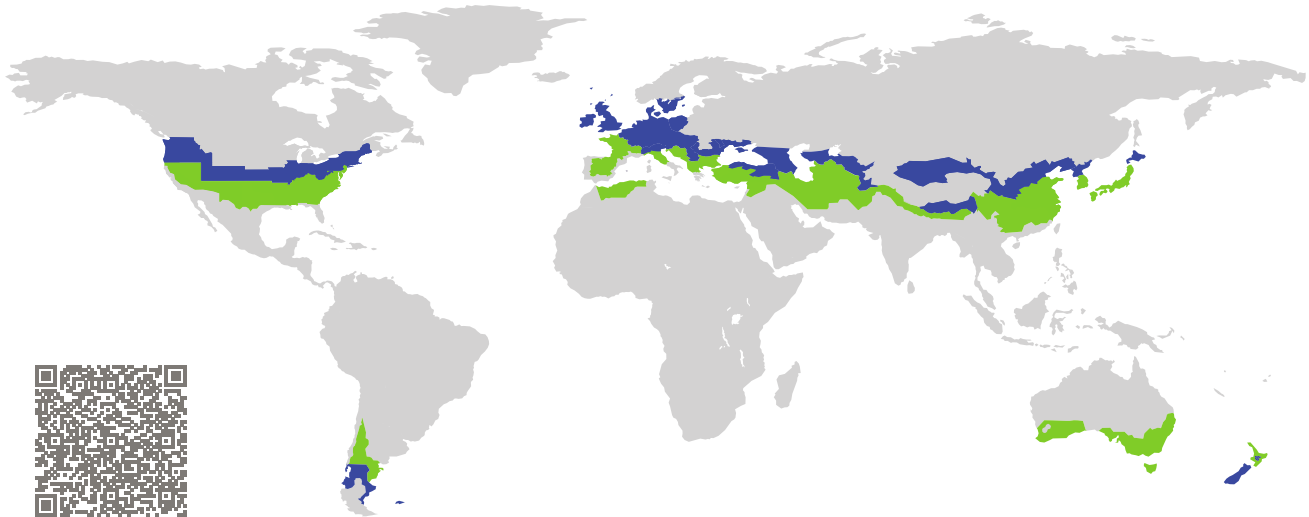


# CERTIFICATE

Certified Passive House Component

Component-ID 1492ed03 valid until 31st December 2020

Passive House Institute  
Dr. Wolfgang Feist  
64283 Darmstadt  
Germany

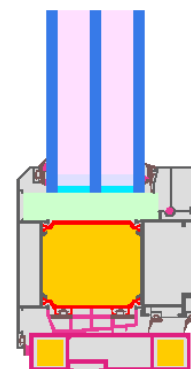


Category: **Entry door**  
Manufacturer: **Beijing Kinoteem Curtain wall  
decoration engineering co. ltd.  
Beijing  
China**  
Product name: **APD100+ Door**

**This certificate was awarded based on the following  
criteria for the cool, temperate climate zone**

Comfort  $U_D = 0.79 \leq 0.80 \text{ W}/(\text{m}^2 \text{ K})$   
 $U_{D,\text{installed}} \leq 0.85 \text{ W}/(\text{m}^2 \text{ K})$   
with  $U_g^1 = 0.70 \text{ W}/(\text{m}^2 \text{ K})$

Hygiene  $f_{Rsi=0.25} \geq 0.70$   
Airtightness  $Q_{100} = 2.25 \leq 2.25 \text{ m}^3/(\text{h m})$



(Outward open)

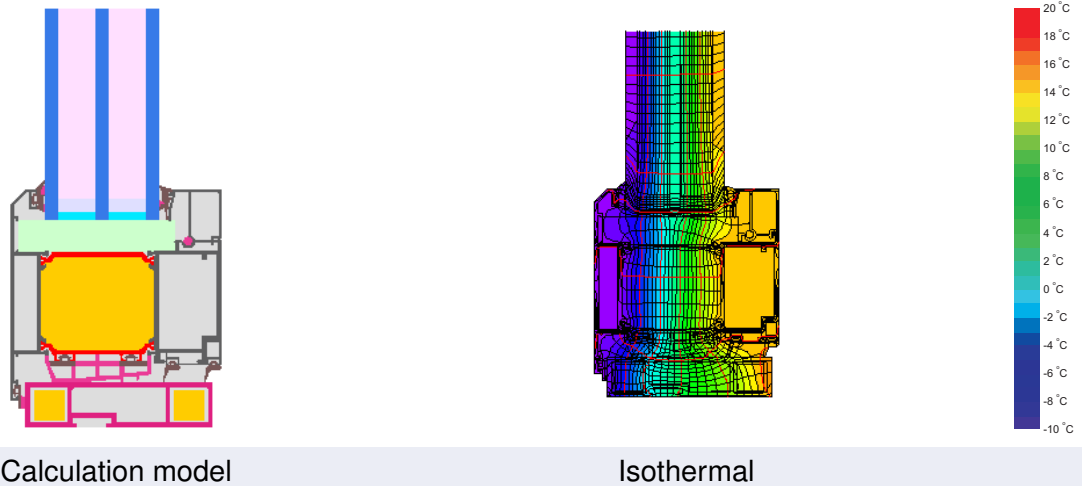
<sup>1</sup>Fully glazed door

cool, temperate climate



**CERTIFIED  
COMPONENT**

Passive House Institute



### Description

Fully glazed door with thermally separated aluminium sash with PU insulation ( $0.030 \text{ W}/(\text{m}^2\text{K})$ ) and aerogel ( $0.025 \text{ W}/(\text{m}^2\text{K})$ ) in the rebate; frame threshold made by GRP ( $0.27 \text{ W}/(\text{m}^2\text{K})$ ). Pane thickness: 54 mm (6/18/6/18/6), rebate depth: 15 mm. Spacer: TGI-Spacer Precision with polyurethane as secondary seal.

### Explanation





The U-values of the door apply to a door 1.10 m wide by 2.20 m tall.


A detailed report of the calculations performed in the context of certification is available from the manufacturer.

Unless stated otherwise, the air tightness was determined according to EN 1026 with respect to the joint length under climate load in conjunction with EN 1121 for the closed, non-locked door. The result corresponds at least to air-tightness class 3 according to EN 12207.

The Passive House Institute has defined international component criteria for seven climate zones. In principle, components which have been certified for climate zones with higher requirements may also be used in climates with less stringent requirements. In a particular climate zone it may make sense to use a component of a higher thermal quality which has been certified for a climate zone with more stringent requirements.

Further information relating to certification can be found on [www.passivehouse.com](http://www.passivehouse.com) and [passipedia.org](http://passipedia.org).

Frame values			Frame width $b_f$ mm	U-value frame $U_f$ W/(m <sup>2</sup> K)	$\Psi$ edge $\Psi_g$ W/(m K)	Temp. Factor $f_{Rsi=0.25}$ [-]
Top	(to)		149	0.79	0.026	0.78
Threshold	(th)		114	0.86	0.025	0.77
Hinge side Door	(hs)		149	0.79	0.026	0.78
Lock side Door	(ls)		149	0.79	0.026	0.78
Spacer: TGI-Spacer Precision			Secondary seal: Polyurethan			



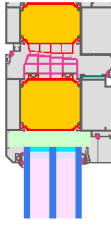
**Top**

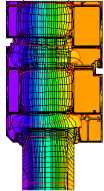
$b_f = 149.00$  mm


$U_f = 0.79$  W/(m<sup>2</sup> K)

$\Psi_g = 0.026$  W/(m K)

$f_{Rsi} = 0.78$







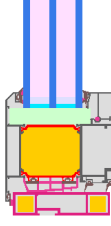
**Threshold**

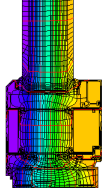
$b_f = 114.00$  mm


$U_f = 0.86$  W/(m<sup>2</sup> K)

$\Psi_g = 0.025$  W/(m K)

$f_{Rsi} = 0.77$







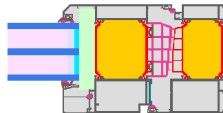
**Hinge side**  
Door

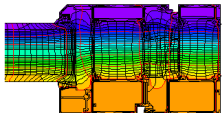
$b_f = 149.00$  mm


$U_f = 0.79$  W/(m<sup>2</sup> K)

$\Psi_g = 0.026$  W/(m K)

$f_{Rsi} = 0.78$







**Lock side**  
Door

$b_f = 149.00$  mm

$U_f = 0.79$  W/(m<sup>2</sup> K)

$\Psi_g = 0.026$  W/(m K)

$f_{Rsi} = 0.78$

