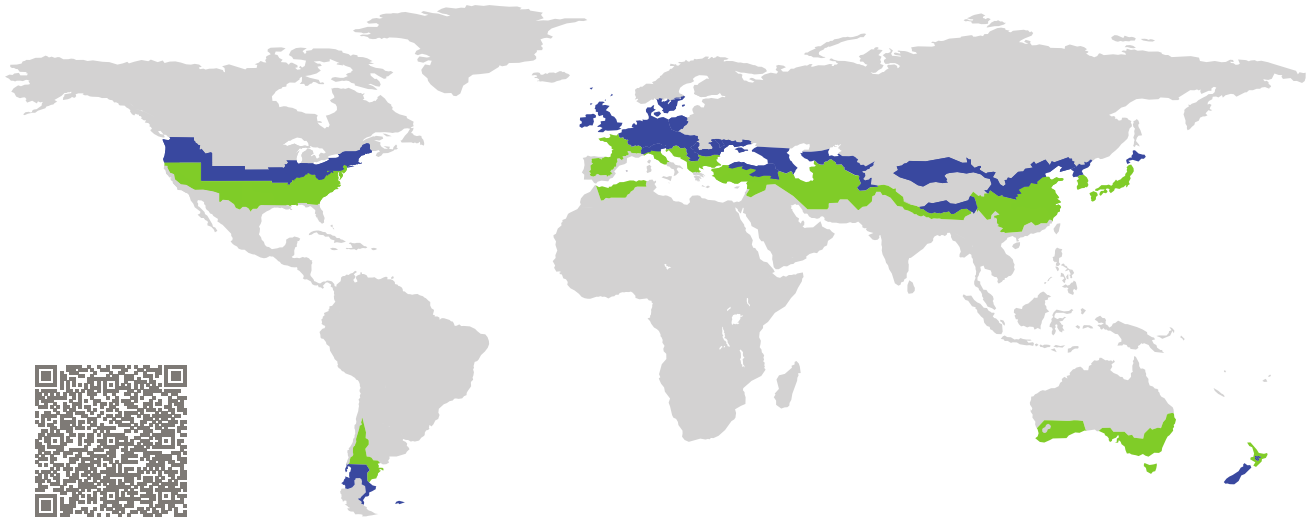


CERTIFICATE

Certified Passive House Component

Component-ID 1525fx03 valid until 31st December 2020

Passive House Institute
Dr. Wolfgang Feist
64283 Darmstadt
Germany

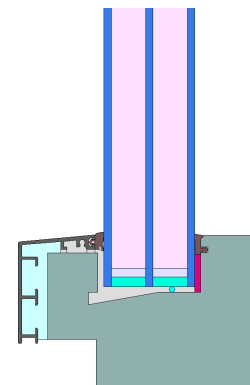


Category: **Fixed window**
Manufacturer: **FENETRES-FRANC-COMTOISES
MENUISERIE THIEBAUD,
Belleherbe,
France**
Product name: **Caméléwood fixe bois alu**

**This certificate was awarded based on the following
criteria for the cool, temperate climate zone**

Comfort $U_W = 0.78 \leq 0.80 \text{ W}/(\text{m}^2 \text{ K})$
 $U_{W,\text{installed}} \leq 0.85 \text{ W}/(\text{m}^2 \text{ K})$
with $U_g = 0.70 \text{ W}/(\text{m}^2 \text{ K})$

Hygiene $f_{Rsi=0.25} \geq 0.70$



Passive House
efficiency class

phE

phD

phC

phB

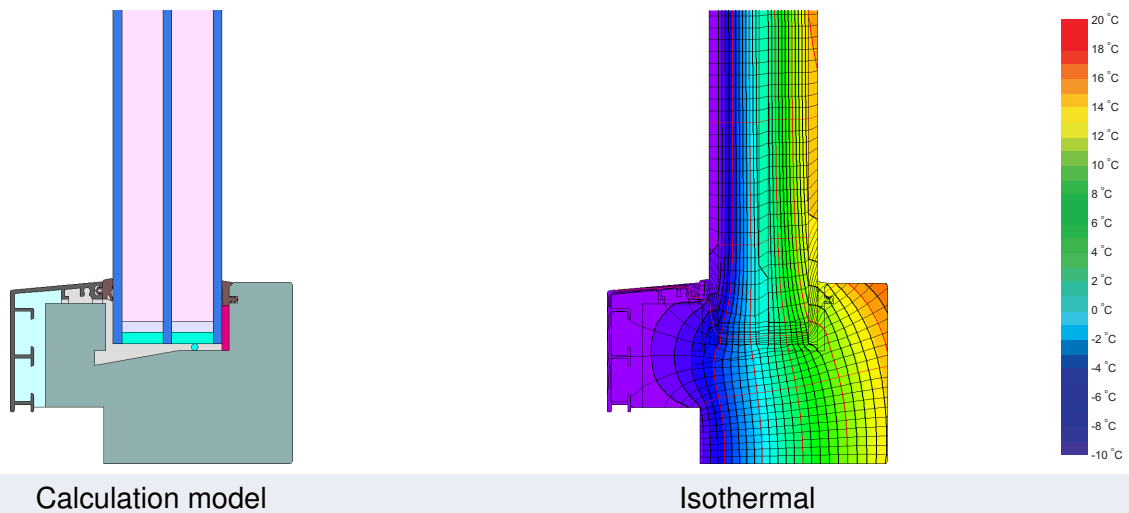
phA

cool, temperate climate



**CERTIFIED
COMPONENT**

Passive House Institute



Description

Timberframe Jura fir (0.11 W / (mK)), PEFC certified, laminated wood, free of glue with aluminium facing shell, sealings and gaskets made of EPDM and silicone. Glass thickness: 48 mm (4/18/4/18/4), rebate depth: 27 mm, Spacer : Edgetech super spacer premium, Butyl secondary sealing. Recyclable at life-cycle end.

Explanation





The window U-values were calculated for the test window size of 1.23 m × 1.48 m with $U_g = 0.70 \text{ W}/(\text{m}^2 \text{ K})$. If a higher quality glazing is used, the window U-values will improve as follows:

Glazing	$U_g =$	0.70	0.64	0.58	0.52	W/(m ² K)
		↓	↓	↓	↓	
Window	$U_W =$	0.78	0.73	0.69	0.64	W/(m ² K)

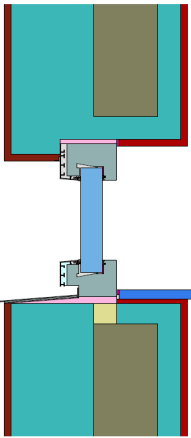
Transparent building components are classified into efficiency classes depending on the heat losses through the opaque part. The frame U-Values, frame widths, thermal bridges at the glazing edge, and the glazing edge lengths are included in these heat losses. A more detailed report of the calculations performed in the context of certification is available from the manufacturer.

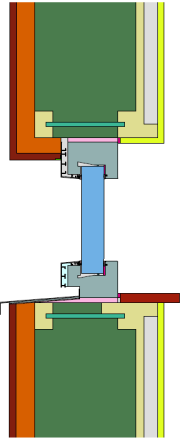
The Passive House Institute has defined international component criteria for seven climate zones. In principle, components which have been certified for climate zones with higher requirements may also be used in climates with less stringent requirements. In a particular climate zone it may make sense to use a component of a higher thermal quality which has been certified for a climate zone with more stringent requirements.

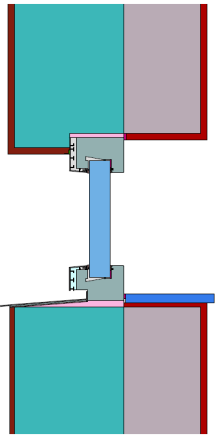
Further information relating to certification can be found on www.passivehouse.com and passipedia.org.

Frame values			Frame width b_f mm	U -value frame U_f W/(m ² K)	Ψ -panel edge Ψ_g W/(m K)	Temp. Factor $f_{Rsi=0.25}$ [-]
Top fixed	(tof)		80	0.79	0.020	0.76
Side fixed	(sf)		80	0.79	0.020	0.76
Bottom fixed	(bof)		80	0.92	0.020	0.74
Mullion 1 casement	(m1)		174	0.78	0.020	0.78
			Spacer: Super Spacer Premium		Secondary seal: Butyl	

Validated installations

Formwork blocks (fixed)	
$U_{Wall} = 0.15 \text{ W/(m}^2 \text{ K)}$	
	
$\Psi_{install}$	W/(m K)
Top	0.014
Side	0.014
Bottom	0.026
$U_{W,installed} = 0.83 \text{ W/(m}^2 \text{ K)}$	

Lightweight timber (fixed glazed)	
$U_{Wall} = 0.15 \text{ W/(m}^2 \text{ K)}$	
	
$\Psi_{install}$	W/(m K)
Top	0.017
Side	0.017
Bottom	0.029
$U_{W,installed} = 0.84 \text{ W/(m}^2 \text{ K)}$	

Exterior insulation and finishing system (EIFS) (fixed glazed)	
$U_{Wall} = 0.13 \text{ W/(m}^2 \text{ K)}$	
	
$\Psi_{install}$	W/(m K)
Top	0.008
Side	0.008
Bottom	0.020
$U_{W,installed} = 0.81 \text{ W/(m}^2 \text{ K)}$	

