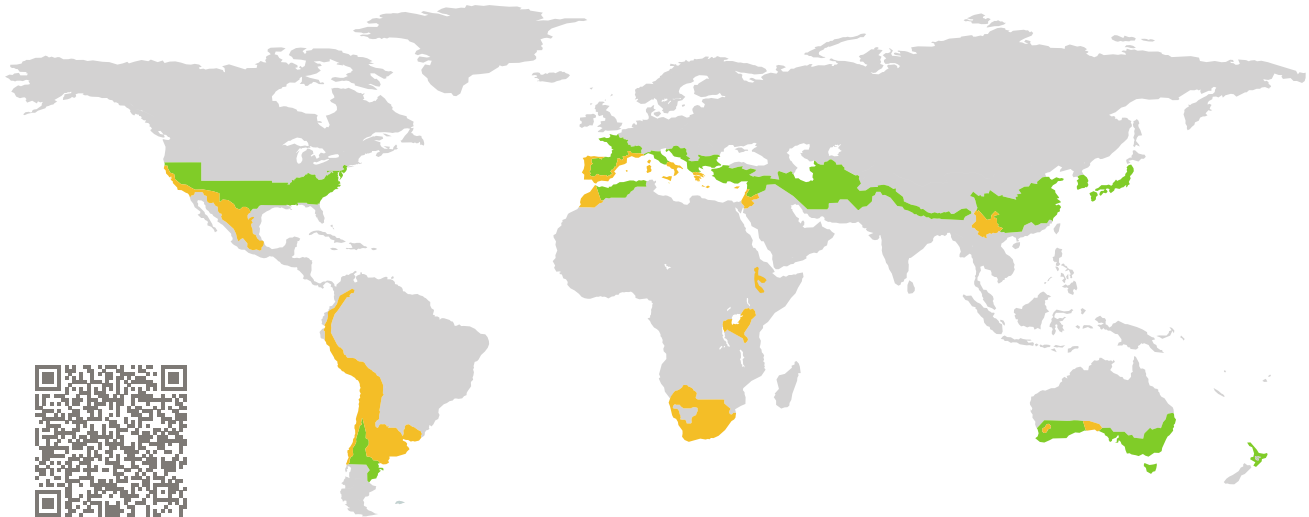


CERTIFICATE

Certified Passive House Component

Component-ID 1495ws04 valid until 31st December 2020

Passive House Institute
Dr. Wolfgang Feist
64283 Darmstadt
Germany

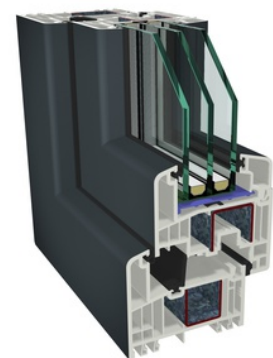


Category: **Window system**
Manufacturer: **INTUS Windows,
Fairfax,
United States of America**
Product name: **Supera 83 Passive**

**This certificate was awarded based on the following
criteria for the warm, temperate climate zone**

Comfort $U_W = 0.99 \leq 1.00 \text{ W}/(\text{m}^2 \text{ K})$
 $U_{W,\text{installed}} \leq 1.05 \text{ W}/(\text{m}^2 \text{ K})$
with $U_g = 0.90 \text{ W}/(\text{m}^2 \text{ K})$

Hygiene $f_{Rsi=0.25} \geq 0.65$
Airtightness $Q_{100} = 0.16 \leq 0.25 \text{ m}^3/(\text{h m})$



warm, temperate climate



**CERTIFIED
COMPONENT**

Passive House Institute

Passive House
efficiency class

phE

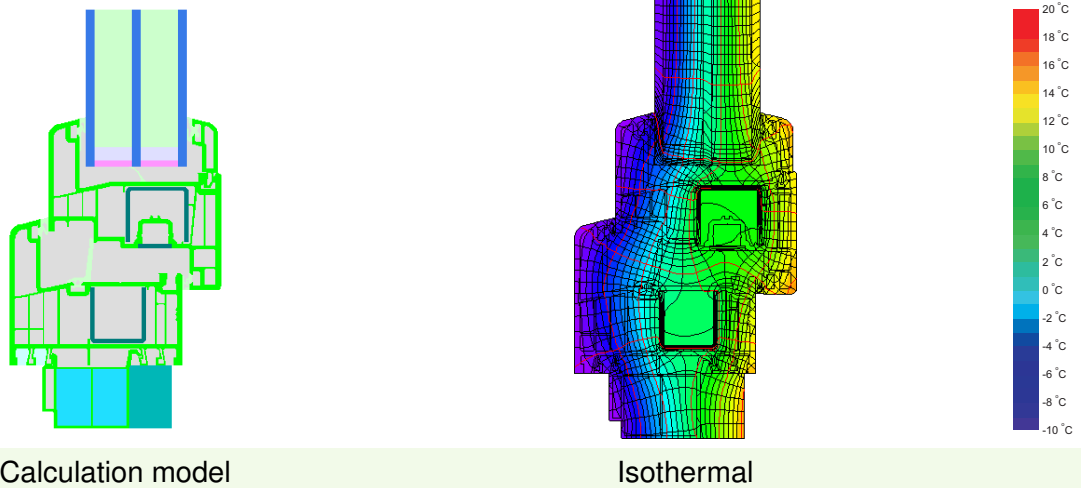
phD

phC

phB

phA

www.passivehouse.com



Calculation model Isothermal

Description

PVC frame with PU foam (IKD®), 0.026 W/(mK)) insulated chamber. The required temperature factor is not achieved at the threshold. The airtightness was approved for a window with flying mullion (1650 mm * 1472 mm). Frame 6002 with reinforcement 6715 and bottom frame extension 7202 IKD, sash 6003 with reinforcement 6706, threshold 2596/2576 with 6431 and 6105, mullion 6050 with reinforcement 6712. Pane thickness: 48 mm (4/18/4/18/4), rebate depth: 23 mm.

Explanation

The window U-values were calculated for the test window size of 2.46 m × 1.48 m with $U_g = 0.90 \text{ W}/(\text{m}^2 \text{ K})$. If a higher quality glazing is used, the window U-values will improve as follows:


Glazing	$U_g =$	0.90	0.70	0.64	0.58	W/(m ² K)
		↓	↓	↓	↓	
Window	$U_w =$	0.99	0.86	0.82	0.78	W/(m ² K)

Transparent building components are classified into efficiency classes depending on the heat losses through the opaque part. The frame U-Values, frame widths, thermal bridges at the glazing edge, and the glazing edge lengths are included in these heat losses. A more detailed report of the calculations performed in the context of certification is available from the manufacturer.

The Passive House Institute has defined international component criteria for seven climate zones. In principle, components which have been certified for climate zones with higher requirements may also be used in climates with less stringent requirements. In a particular climate zone it may make sense to use a component of a higher thermal quality which has been certified for a climate zone with more stringent requirements.

Further information relating to certification can be found on www.passivehouse.com and passipedia.org.

Frame values			Frame width b_f mm	U -value frame U_f W/(m ² K)	Ψ -panel edge Ψ_g W/(m K)	Temp. Factor $f_{Rsi=0.25}$ [-]
Top	(to)		118	1.02	0.023	0.73
Side	(s)		118	1.02	0.023	0.73
Bottom	(bo)		148	0.97	0.023	0.73
Top fixed	(tof)		70	0.96	0.023	0.72
Side fixed	(sf)		70	0.96	0.023	0.72
Bottom fixed	(bof)		100	0.91	0.022	0.71
Threshold	(th)		92	1.71	0.023	0.63
Mullion fixed	(m)		92	1.05	0.023	0.71
Mullion 1 casement	(m1)		140	1.07	0.023	0.69
Mullion 2 casements	(m2)		188	1.07	0.024	0.68
Transom fixed	(tf)		92	1.05	0.023	0.71
Transom 1 casement	(t1)		140	1.07	0.023	0.69
Transom 2 casements	(t2)		188	1.07	0.024	0.68
Spacer: SWISSPACER Ultimate			Secondary seal: Polyurethan			



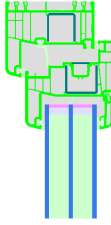
Top

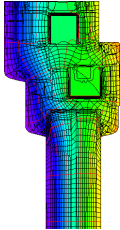
$b_f = 118.00$ mm

$U_f = 1.02$ W/(m² K)

$\Psi_g = 0.023$ W/(m K)

$f_{Rsi} = 0.73$







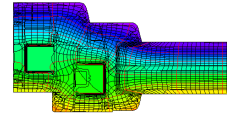
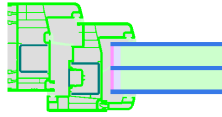
Side

$$b_f = 118.00 \text{ mm}$$

$$U_f = 1.02 \text{ W}/(\text{m}^2 \text{ K})$$

$$\Psi_g = 0.023 \text{ W}/(\text{m K})$$

$$f_{Rsi} = 0.73$$



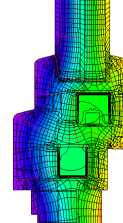
Bottom

$$b_f = 148.00 \text{ mm}$$

$$U_f = 0.97 \text{ W}/(\text{m}^2 \text{ K})$$

$$\Psi_g = 0.023 \text{ W}/(\text{m K})$$

$$f_{Rsi} = 0.73$$



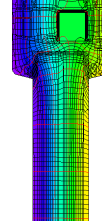
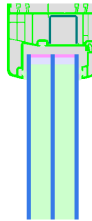
Top fixed

$$b_f = 70.00 \text{ mm}$$

$$U_f = 0.96 \text{ W}/(\text{m}^2 \text{ K})$$

$$\Psi_g = 0.023 \text{ W}/(\text{m K})$$

$$f_{Rsi} = 0.72$$



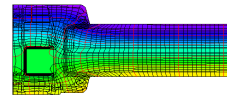
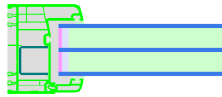
Side fixed

$$b_f = 70.00 \text{ mm}$$

$$U_f = 0.96 \text{ W}/(\text{m}^2 \text{ K})$$

$$\Psi_g = 0.023 \text{ W}/(\text{m K})$$

$$f_{Rsi} = 0.72$$



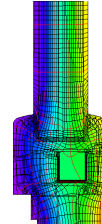
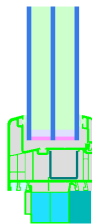
Bottom fixed

$$b_f = 100.00 \text{ mm}$$

$$U_f = 0.91 \text{ W}/(\text{m}^2 \text{ K})$$

$$\Psi_g = 0.022 \text{ W}/(\text{m K})$$

$$f_{Rsi} = 0.71$$





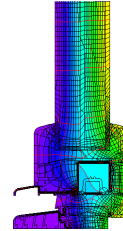
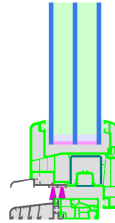
Threshold

$$b_f = 92.00 \text{ mm}$$

$$U_f = 1.71 \text{ W}/(\text{m}^2 \text{ K})$$

$$\Psi_g = 0.023 \text{ W}/(\text{m K})$$

$$f_{Rsi} = 0.63$$



Mullion

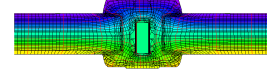
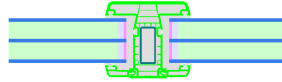
fixed

$$b_f = 92.00 \text{ mm}$$

$$U_f = 1.05 \text{ W}/(\text{m}^2 \text{ K})$$

$$\Psi_g = 0.023 \text{ W}/(\text{m K})$$

$$f_{Rsi} = 0.71$$



Mullion

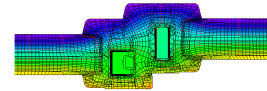
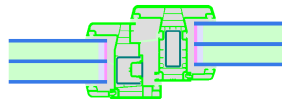
1 casement

$$b_f = 140.00 \text{ mm}$$

$$U_f = 1.07 \text{ W}/(\text{m}^2 \text{ K})$$

$$\Psi_g = 0.023 \text{ W}/(\text{m K})$$

$$f_{Rsi} = 0.69$$



Mullion

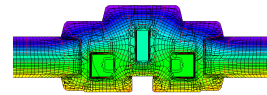
2 casements

$$b_f = 188.00 \text{ mm}$$

$$U_f = 1.07 \text{ W}/(\text{m}^2 \text{ K})$$

$$\Psi_g = 0.024 \text{ W}/(\text{m K})$$

$$f_{Rsi} = 0.68$$



Transom

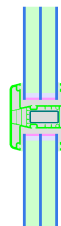
fixed

$$b_f = 92.00 \text{ mm}$$

$$U_f = 1.05 \text{ W}/(\text{m}^2 \text{ K})$$

$$\Psi_g = 0.023 \text{ W}/(\text{m K})$$

$$f_{Rsi} = 0.71$$





Transom

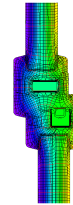
1 casement

$$b_f = 140.00 \text{ mm}$$

$$U_f = 1.07 \text{ W}/(\text{m}^2 \text{ K})$$

$$\Psi_g = 0.023 \text{ W}/(\text{m K})$$

$$f_{Rsi} = 0.69$$



Transom

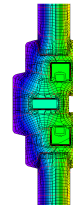
2 casements

$$b_f = 188.00 \text{ mm}$$

$$U_f = 1.07 \text{ W}/(\text{m}^2 \text{ K})$$

$$\Psi_g = 0.024 \text{ W}/(\text{m K})$$

$$f_{Rsi} = 0.69$$



Validated installations

Formwork blocks (fixed)

$$U_{\text{Wall}} = 0.25 \text{ W}/(\text{m}^2 \text{ K})$$

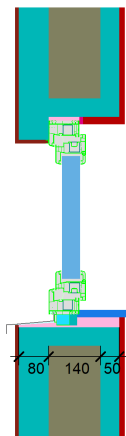


Ψ_{install}	W/(m K)
Top	-0.007
Left	-0.007
Right	-0.007
Bottom	0.012

$$U_{W,\text{installed}} = 0.99 \text{ W}/(\text{m}^2 \text{ K})$$

Formwork blocks (operable)

$$U_{\text{Wall}} = 0.25 \text{ W}/(\text{m}^2 \text{ K})$$



Ψ_{install}	W/(m K)
Top	-0.004
Left	-0.004
Right	-0.004
Bottom	0.015

$$U_{W,\text{installed}} = 1.00 \text{ W}/(\text{m}^2 \text{ K})$$

Lightweight timber (fixed glazed)

$$U_{\text{Wall}} = 0.19 \text{ W}/(\text{m}^2 \text{ K})$$



Ψ_{install}	W/(m K)
Top	0.004
Left	0.004
Right	0.004
Bottom	0.012

$$U_{W,\text{installed}} = 1.01 \text{ W}/(\text{m}^2 \text{ K})$$

