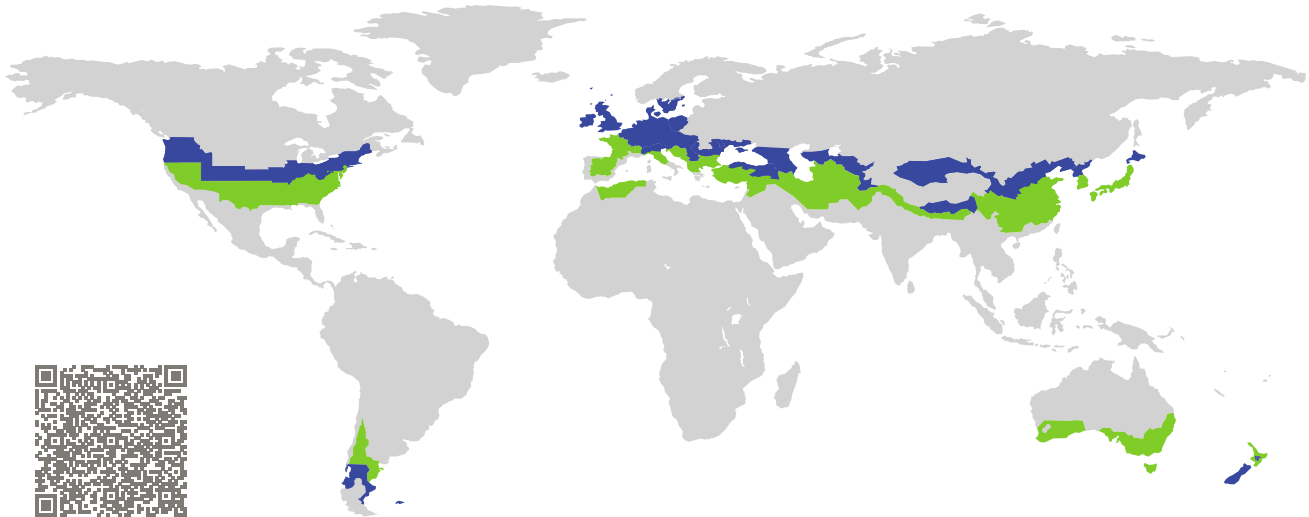


# CERTIFICATE

Certified Passive House Component

Component-ID 1245cw03 valid until 31st December 2019

Passive House Institute  
Dr. Wolfgang Feist  
64283 Darmstadt  
Germany

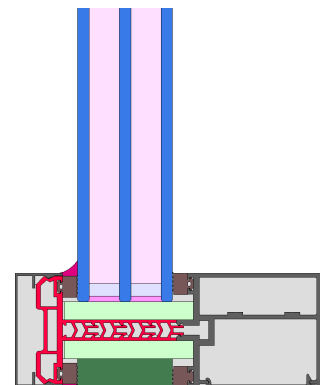


Category: **Curtain Wall**  
Manufacturer: **Qindao Rocky Window Co.,Ltd.,  
Qindao,  
China**  
Product name: **Rocky 60 Passive Curtain Wall**

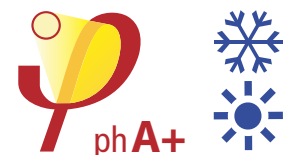
**This certificate was awarded based on the following  
criteria for the cool, temperate climate zone**

Comfort  $U_{CW} = 0.80 \leq 0.80 \text{ W}/(\text{m}^2 \text{ K})$   
 $U_{CW, \text{installed}} \leq 0.85 \text{ W}/(\text{m}^2 \text{ K})$   
with  $U_g = 0.70 \text{ W}/(\text{m}^2 \text{ K})$

Hygiene  $f_{Rsi=0.25} \geq 0.70$



cool, temperate climate



**CERTIFIED  
COMPONENT**

Passive House Institute

Passive House  
efficiency class

phE

phD

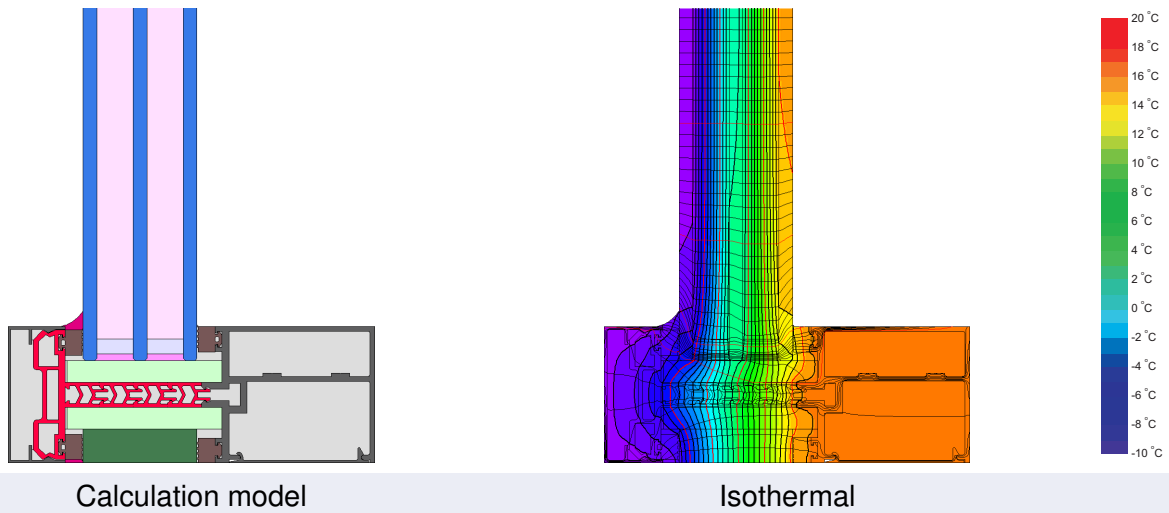
phC

phB

phA

phA+

[www.passivehouse.com](http://www.passivehouse.com)



### Description

Aluminium - mullion and transom facade, screw channel and pressure-plate made of polyamids with glass-fibre fraction, resolfoam insulation (0.025 W/mK). Pane thickness: 50 mm (6/16/6/16/6), rebate depth: 15 mm, spacer: TGI-Spacer Precision

### Explanation








The element U-values were calculated for the test element size of 1.20 m × 2.50 m with  $U_g = 0.70 \text{ W}/(\text{m}^2 \text{ K})$ . If a higher quality glazing is used, the element U-values will improve as follows:

Glazing	$U_g =$	0.70	0.64	0.58	0.52	W/(m <sup>2</sup> K)
		↓	↓	↓	↓	
Element	$U_{CW}$	0.80	0.74	0.69	0.63	W/(m <sup>2</sup> K)

Transparent building components are sorted into efficiency classes depending on the heat losses through the opaque part. The frame U-Values, frame widths, thermal bridges at the glazing edge and the glazing edge lengths are included in these heat losses. A more detailed report of the calculations performed in the context of certification is available from the manufacturer.

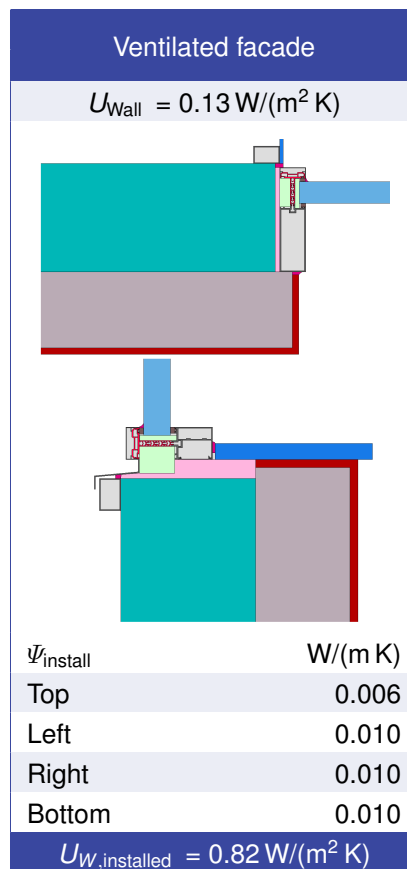
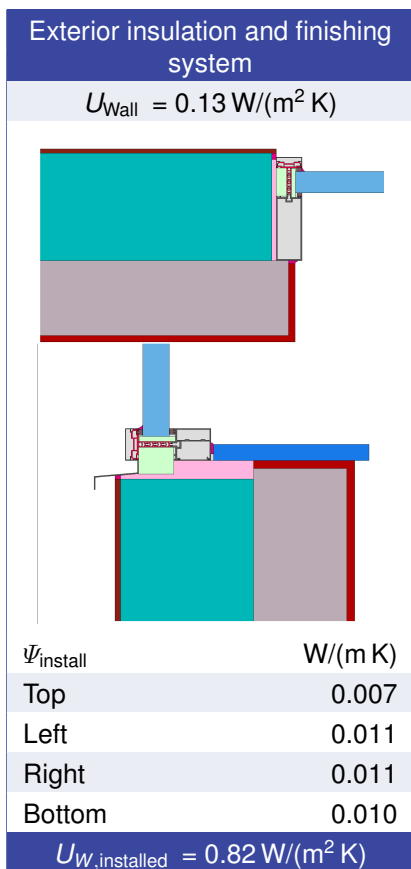
The Passive House Institute has defined international component criteria for seven climate zones. In principle, components that have been certified for climate zones with higher thermal requirements may also be used in climates with less stringent requirements. In a particular climate zone it may make sense to use a component of a higher thermal quality which has been certified for a climate zone with more stringent requirements.

Further information relating to certification can be found on [www.passivehouse.com](http://www.passivehouse.com) and [passipedia.org](http://passipedia.org).

Frame values			Frame width $b_f$ mm	$U$ -value frame $U_f^1$ W/(m <sup>2</sup> K)	$\Psi$ -panel edge $\Psi_g$ W/(m K)	Temp. Factor $f_{Rsi=0.25}$ [-]
Top fixed	(tof)		60	0.96	0.031	0.80
Side fixed	(sf)		60	0.94	0.032	0.82
Bottom fixed	(bof)		60	0.96	0.031	0.80
Mullion fixed	(m)		60	0.97	0.033	0.82
Mullion 1 casement	(m1)		200	0.96	0.032	0.81
Transom fixed	(tf)		60	0.96	0.032	0.81
Transom 1 casement	(t1)		200	0.96	0.032	0.81

Spacer: TGI-Spacer Precision      Secondary seal: Polysulfide

### Validated installations



<sup>1</sup>Includes  $\Delta U = 0.18 \text{ W/(m}^2 \text{ K)}$ . Determined through 3D - FEM Simulation

