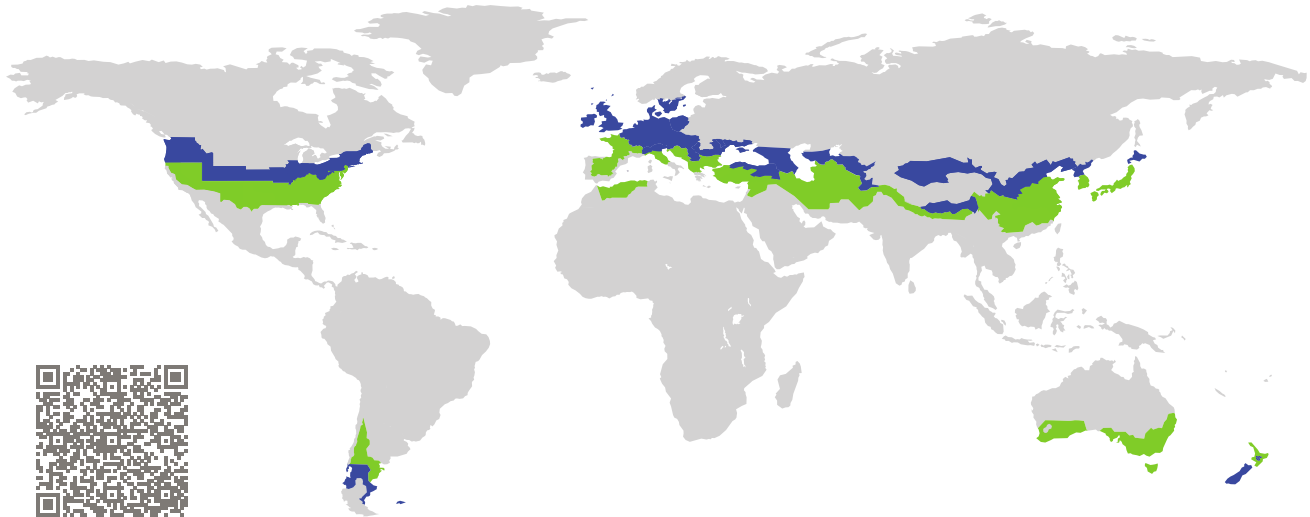


# CERTIFICATE

Certified Passive House Component

Component-ID 1583ed03 valid until 31st December 2021

Passive House Institute  
Dr. Wolfgang Feist  
64283 Darmstadt  
Germany

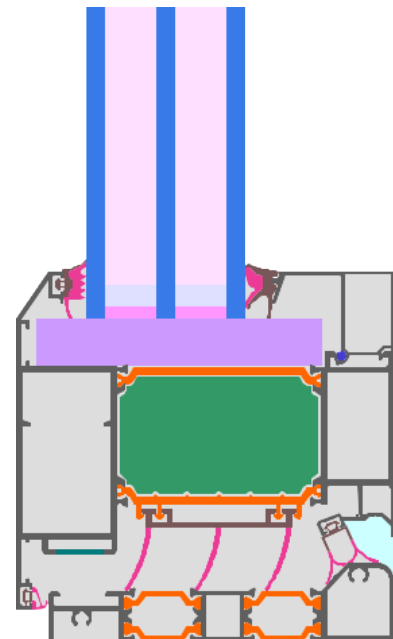


Category: **Entry door**  
Manufacturer: **Qingdao Rocky Window Co., Ltd.**  
**Qingdao**  
**China**  
Product name: **Rocky 109 door**

**This certificate was awarded based on the following criteria for the cool, temperate climate zone**

Comfort  $U_D = 0.74 \leq 0.80 \text{ W}/(\text{m}^2 \text{ K})$   
 $U_{D,\text{installed}} \leq 0.85 \text{ W}/(\text{m}^2 \text{ K})$   
with  $U_g^1 = 0.59 \text{ W}/(\text{m}^2 \text{ K})$

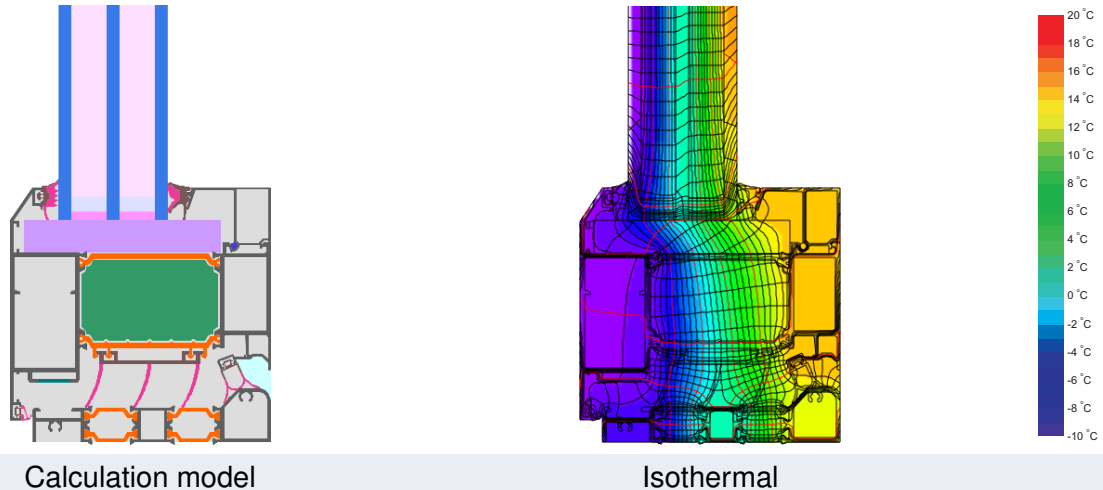
Hygiene  $f_{Rsi=0.25} \geq 0.70$   
Airtightness  $Q_{100} = 2.25 \leq 2.25 \text{ m}^3/(\text{h m})$



(Outward open)

<sup>1</sup>Fully glazed door





### Description

Thermally separated Aluminium frame with insulation (0.030 W/(m<sup>2</sup>K) and in the rebate 0.025 W/(m<sup>2</sup>K); thermal separation in the threshold made by low Lambda PA (0.21 W/(m<sup>2</sup>K)); glazing: 6/16/6/16/6.

### Explanation





The U-values of the door apply to a door 1.10 m wide by 2.20 m tall.


A detailed report of the calculations performed in the context of certification is available from the manufacturer.

Unless stated otherwise, the air tightness was determined according to EN 1026 with respect to the joint length under climate load in conjunction with EN 1121 for the closed, non-locked door. The result corresponds at least to air-tightness class 3 according to EN 12207.

The Passive House Institute has defined international component criteria for seven climate zones. In principle, components which have been certified for climate zones with higher requirements may also be used in climates with less stringent requirements. In a particular climate zone it may make sense to use a component of a higher thermal quality which has been certified for a climate zone with more stringent requirements.

Further information relating to certification can be found on [www.passivehouse.com](http://www.passivehouse.com) and [passipedia.org](http://passipedia.org).

Frame values			Frame width $b_f$ mm	U-value frame $U_f$ W/(m <sup>2</sup> K)	$\Psi$ edge $\Psi_g$ W/(m K)	Temp. Factor $f_{Rsi=0.25}$ [-]
Top	(to)		143	0.76	0.033	0.74
Threshold	(th)		117	1.08	0.032	0.74
Hinge side door	(hs)		143	0.76	0.033	0.74
Lock side Door	(ls)		143	0.76	0.033	0.74
Spacer: SWISSPACER ULIMATE			Secondary seal: Polysulfid			



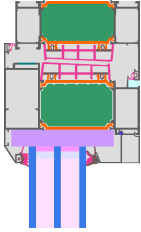
**Top**

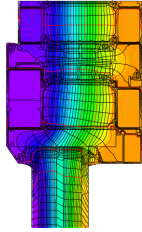
$b_f = 143.00$  mm


$U_f = 0.76$  W/(m<sup>2</sup> K)

$\Psi_g = 0.033$  W/(m K)

$f_{Rsi} = 0.74$







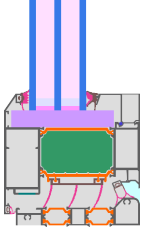
**Threshold**

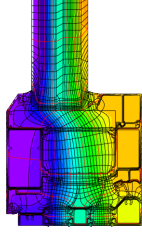
$b_f = 117.00$  mm


$U_f = 1.08$  W/(m<sup>2</sup> K)

$\Psi_g = 0.032$  W/(m K)

$f_{Rsi} = 0.74$







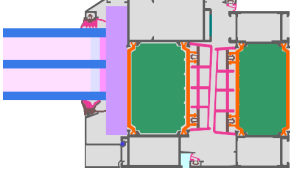
**Hinge side  
door**

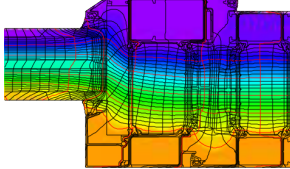
$b_f = 143.00$  mm


$U_f = 0.76$  W/(m<sup>2</sup> K)

$\Psi_g = 0.033$  W/(m K)

$f_{Rsi} = 0.74$







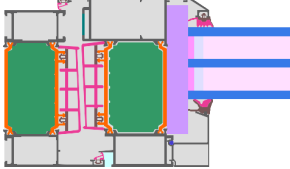
**Lock side  
Door**

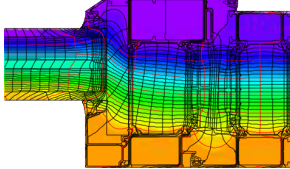
$b_f = 143.00$  mm

$U_f = 0.76$  W/(m<sup>2</sup> K)

$\Psi_g = 0.033$  W/(m K)

$f_{Rsi} = 0.74$

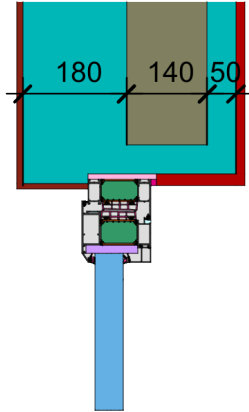




## Validated installations

Formwork blocks top (operable)

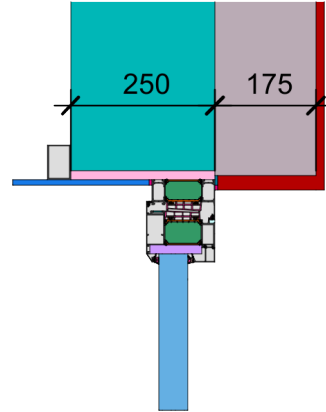
$$U_1 = 0.15 \text{ [W/(m}^2 \text{ K)]}$$



$$\Psi_{\text{install}} = 0.016 \text{ W/(m K)}$$

Ventillated facade (operable)

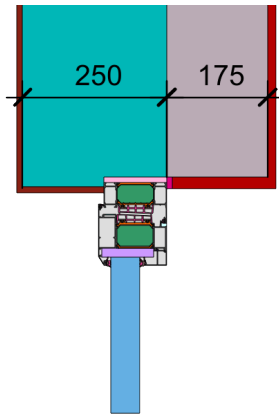
$$U_1 = 0.13 \text{ [W/(m}^2 \text{ K)]}$$



$$\Psi_{\text{install}} = 0.017 \text{ W/(m K)}$$

Exterior insulation and finishing s (EIFS) top (operable)

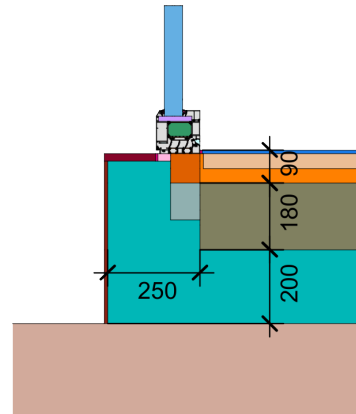
$$U_1 = 0.13 \text{ [W/(m}^2 \text{ K)]}$$



$$\Psi_{\text{install}} = 0.016 \text{ W/(m K)}$$

Ext. ins. a. finish. s. (EIFS) threshold floor slab (operable)

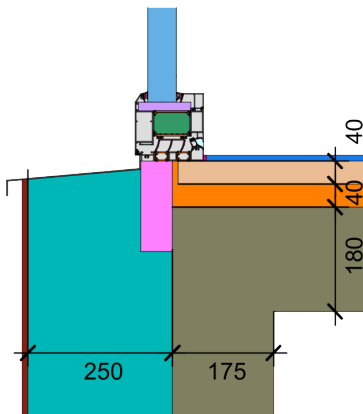
$$U_1 = 0.13 \text{ [W/(m}^2 \text{ K)]}$$



$$\Psi_{\text{install}} = 0.061 \text{ W/(m K)}$$

Ext insulation a. finish. s. (EIFS) threshold ceiling (operable)

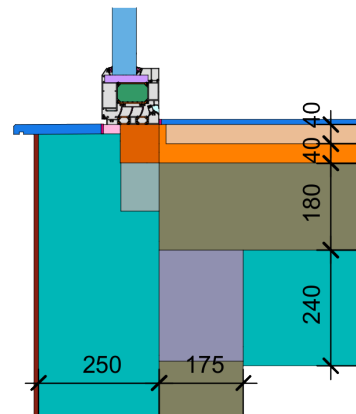
$$U_1 = 0.14 \text{ [W/(m}^2 \text{ K)]}$$



$$\Psi_{\text{install}} = 0.121 \text{ W/(m K)}$$

Exterior insulation and finishing s (EIFS) threshold (operable)

$$U_1 = 0.12 \quad U_2 = 0.13 \text{ [W/(m}^2 \text{ K)]}$$



$$\Psi_{\text{install}} = 0.027 \text{ W/(m K)}$$



