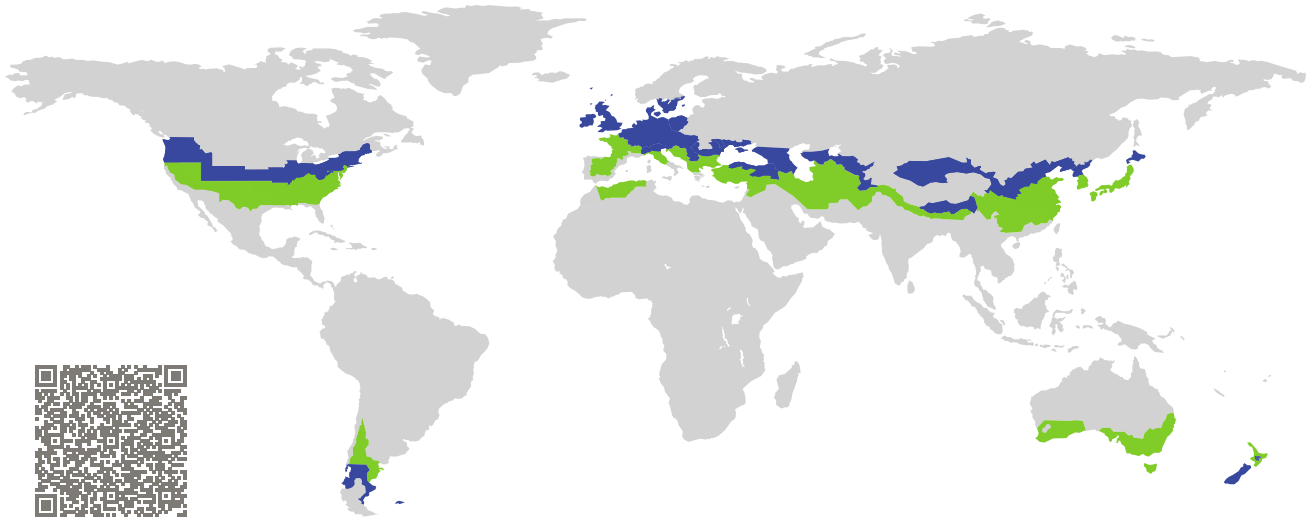


CERTIFICATE

Certified Passive House Component

Component-ID 1245cw03 valid until 31st December 2020

Passive House Institute
Dr. Wolfgang Feist
64283 Darmstadt
Germany

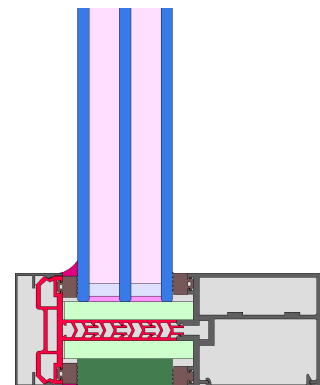


Category: **Curtain Wall**
Manufacturer: **Qingdao Rocky Window Co., Ltd.,
Qingdao,
China**
Product name: **Rocky 60 Passive Curtain Wall**

**This certificate was awarded based on the following
criteria for the cool, temperate climate zone**

Comfort $U_{CW} = 0.80 \leq 0.80 \text{ W}/(\text{m}^2 \text{ K})$
 $U_{CW, \text{installed}} \leq 0.85 \text{ W}/(\text{m}^2 \text{ K})$
with $U_g = 0.70 \text{ W}/(\text{m}^2 \text{ K})$

Hygiene $f_{Rsi=0.25} \geq 0.70$



Passive House
efficiency class

phE

phD

phC

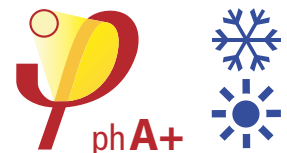
phB

phA

phA+

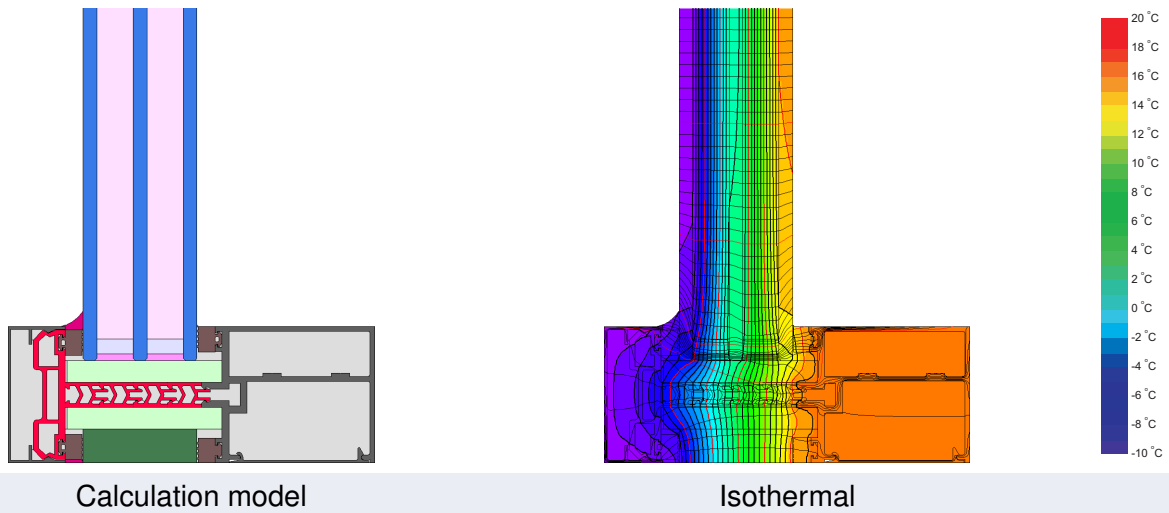
www.passivehouse.com

cool, temperate climate



**CERTIFIED
COMPONENT**

Passive House Institute



Description

Aluminium - mullion and transom facade, screw channel and pressure-plate made of polyamids with glass-fibre fraction, resolfoam insulation (0.025 W/mK). Pane thickness: 50 mm (6/16/6/16/6), rebate depth: 15 mm, spacer: TGI-Spacer Precision

Explanation








The element U-values were calculated for the test element size of 1.20 m × 2.50 m with $U_g = 0.70 \text{ W}/(\text{m}^2 \text{ K})$. If a higher quality glazing is used, the element U-values will improve as follows:

Glazing	$U_g =$	0.70	0.64	0.58	0.52	W/(m ² K)
		↓	↓	↓	↓	
Element	U_{CW}	0.80	0.74	0.69	0.63	W/(m ² K)

Transparent building components are sorted into efficiency classes depending on the heat losses through the opaque part. The frame U-Values, frame widths, thermal bridges at the glazing edge and the glazing edge lengths are included in these heat losses. A more detailed report of the calculations performed in the context of certification is available from the manufacturer.

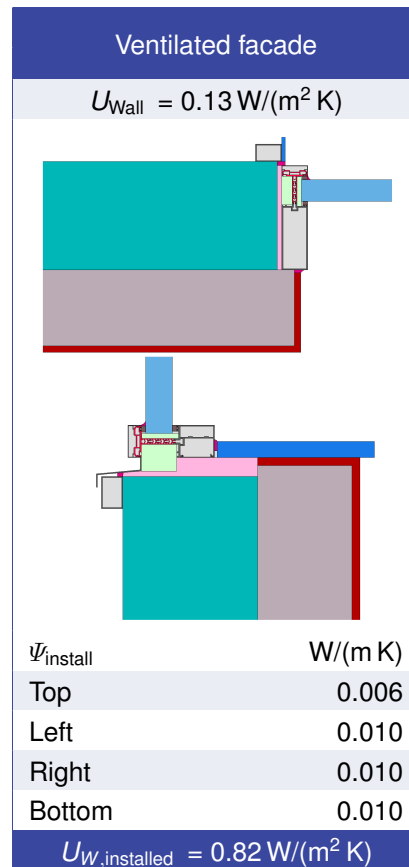
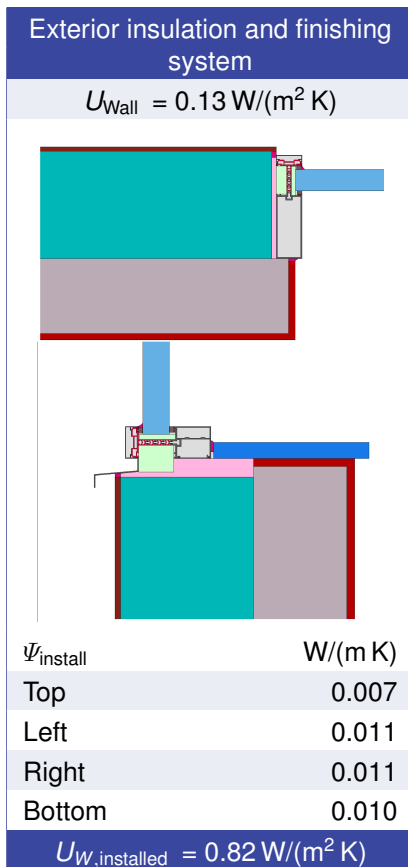
The Passive House Institute has defined international component criteria for seven climate zones. In principle, components that have been certified for climate zones with higher thermal requirements may also be used in climates with less stringent requirements. In a particular climate zone it may make sense to use a component of a higher thermal quality which has been certified for a climate zone with more stringent requirements.

Further information relating to certification can be found on www.passivehouse.com and passipedia.org.

Frame values			Frame width b_f mm	U -value frame U_f^1 W/(m ² K)	Ψ -panel edge Ψ_g W/(m K)	Temp. Factor $f_{Rsi=0.25}$ [-]
Top fixed	(tof)		60	0.96	0.031	0.80
Side fixed	(sf)		60	0.94	0.032	0.82
Bottom fixed	(bof)		60	0.96	0.031	0.80
Mullion fixed	(m)		60	0.97	0.033	0.82
Mullion 1 casement	(m1)		200	0.96	0.032	0.81
Transom fixed	(tf)		60	0.96	0.032	0.81
Transom 1 casement	(t1)		200	0.96	0.032	0.81

Spacer: TGI-Spacer Precision Secondary seal: Polysulfid

Validated installations



¹Includes $\Delta U = 0.18 \text{ W/(m}^2 \text{ K)}$. Determined through 3D - FEM Simulation

