

Certificate

valid until 31.12.2018

 **Passivhaus
Institut**
Dr. Wolfgang Feist
Rheinstraße 44/46
D-64283 Darmstadt

Balcony connection

with height offset

Low Energy Component

HIT-SP MVX-...-OU/-OD
160 - 240 mm slab thickness

Manufacturer: Halfen GmbH
40764 Langenfeld, GERMANY

The following criteria were used in awarding this certificate:

Efficiency Criterion

In two typical applications¹⁾, the construction is

$$\Delta U_{WB} < 0.025 \quad \text{W/(m}^2\text{K)}$$

Comfort Criterion

The inner surface must be warm enough to prevent mould as well as uncomfortable down-draught and radiation losses.

$$\theta_{i,min} > 17.00 \quad ^\circ\text{C}$$

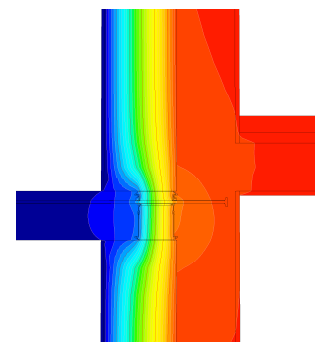
Following heat transmission coefficients (Ψ [W/(mK)])
have been validated:

Product	Slab thickness			
	160	180	220	240
HIT-SP-MVX-0504-hh ¹⁾ -100-35-OD	-	0.175	0.179	0.182

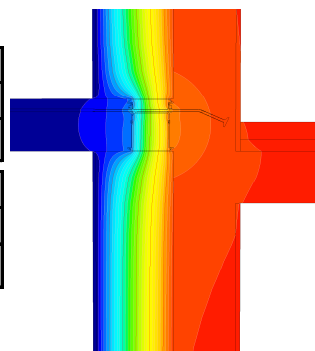
Product	Slab thickness			
	160	180	220	240
HIT-SP-MVX-0504-hh ¹⁾ -100-35-OU	-	0.170	0.178	0.180

¹⁾ hh - slab thickness [cm]

²⁾ The criterion was validated on both, a row house and a apartment dwelling (according to criteria "balcony connection" v2.1.1)
The certificate includes types with minor statical performance. The thermal bridge coefficient can be approximated by linear interpolation



Isothermal map of
HIT-SP MVX-0504-18-100-
35-OD



Isothermal map of
HIT-SP MVX-0504-18-100-
35-OU

