

Certificate

Certified Passive House Component
for cool, temperate climate, valid until 31.12.2019

Passive House Institute
Dr. Wolfgang Feist
64283 Darmstadt
GERMANY

Category: **Roof parapet connection**
Manufacturer: **Flattec Vertriebs GmbH**
A-3350 Stadt Haag
Product name: **FLATPOR**

The following criteria were used in awarding this certificate:

Efficiency Criterion

The construction fulfils the requirement

$$\Psi \leq 0.010 \text{ W/(mK)}$$

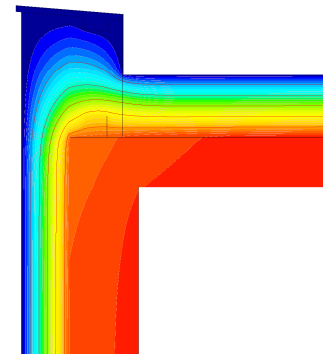
Comfort Criterion

The inner surface must be warm enough to prevent mould as well as uncomfortable down-drought and radiation losses in relation to the standards.

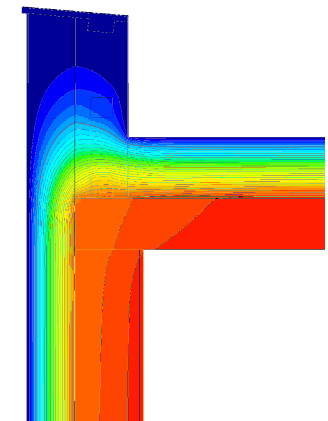
$$\theta_{i,\min} \geq 17^\circ\text{C}$$

The following parameters were calculated:

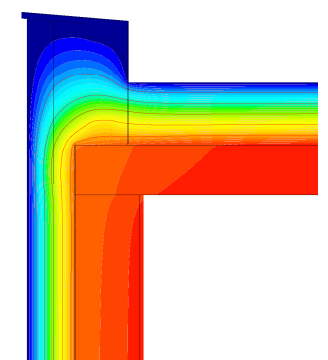
Typ	thermal bridge coefficient Ψ [W/(mK)]	minimum inner surface temperature $\theta_{i,\min}$ [°C]
BU 650	-0,034	17,9
BU 800	-0,034	18,0
BU 650, FI	-0,032	17,9



Isothermal map
BU 650



Isothermal map
BU 800



Isothermal map
BU 650, FI

