

Certificate

Certified Passive House Component

for cool, temperate climate, valid until 31.12.2019

Category: **Roof parapet connection**
 Manufacturer: **Schöck Bauteile GmbH**
76534 Baden-Baden GERMANY
 Product name: **Schöck Isokorb® XT Typ AP**

The following criteria were used in awarding this certificate:

Efficiency Criterion

The construction achieves the requirement of

$$\Psi \leq 0.010 \text{ W/(mK)}$$

Comfort Criterion

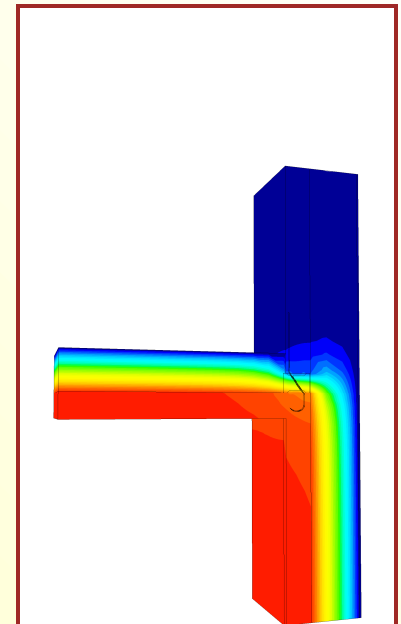
The inner surface must be warm enough to prevent mould as well as uncomfortable down-draught and radiation losses.

$$\theta_{i,\min} \geq 17^\circ\text{C}$$

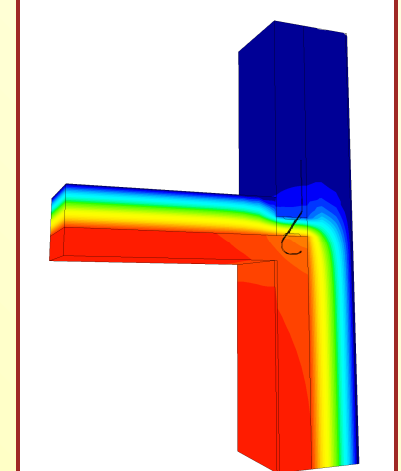
Thermal data

Typ	thermal bridge coefficient Ψ [W/(mK)]	minimum inner surface temperature $\theta_{i,\min}$ [°C]
XT Typ AP 160	0.004	18.60
XT Typ AP 200	0.007	18.60

The certificate includes types with minor statical performance. Thermal bridge coefficients can be approximated by linear interpolation. The stated Ψ -values are valid for an element distance (axis-center distance) of 1,0 m. If larger distances are used, Ψ decreases.



Isothermal map of
XT Typ AP 160



Isothermal map of
XT Typ AP 200

cool, temperate climate



**CERTIFIED
COMPONENT**

Passive House Institute