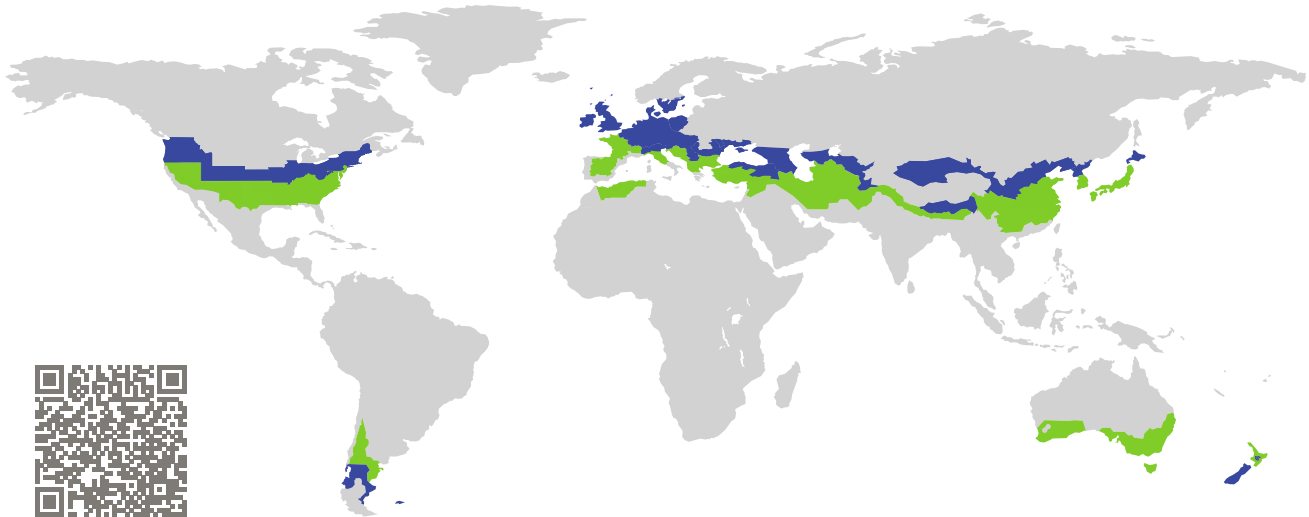


# CERTIFICATE

Certified Passive House Component

Component-ID 0947cw03 valid until 31st December 2018

Passive House Institute  
Dr. Wolfgang Feist  
64283 Darmstadt  
Germany

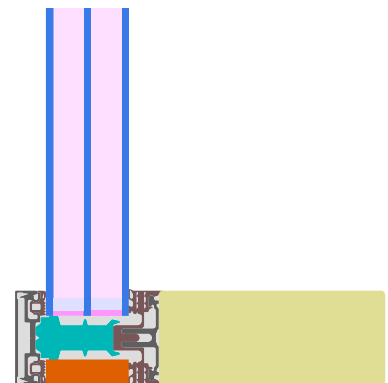


Category: **Curtain Wall**  
Manufacturer: **RP Technik GmbH Profilsysteme,  
Bönen,  
Germany**  
Product name: **RP-tec 50-1 HA**

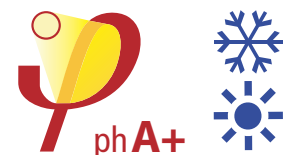
**This certificate was awarded based on the following  
criteria for the cool, temperate climate zone**

Comfort  $U_{CW} = 0.80 \leq 0.80 \text{ W}/(\text{m}^2 \text{ K})$   
 $U_{CW, \text{installed}} \leq 0.85 \text{ W}/(\text{m}^2 \text{ K})$   
with  $U_g = 0.70 \text{ W}/(\text{m}^2 \text{ K})$

Hygiene  $f_{Rsi=0.25} \geq 0.70$



cool, temperate climate



**CERTIFIED  
COMPONENT**

Passive House Institute

Passive House  
efficiency class

phE

phD

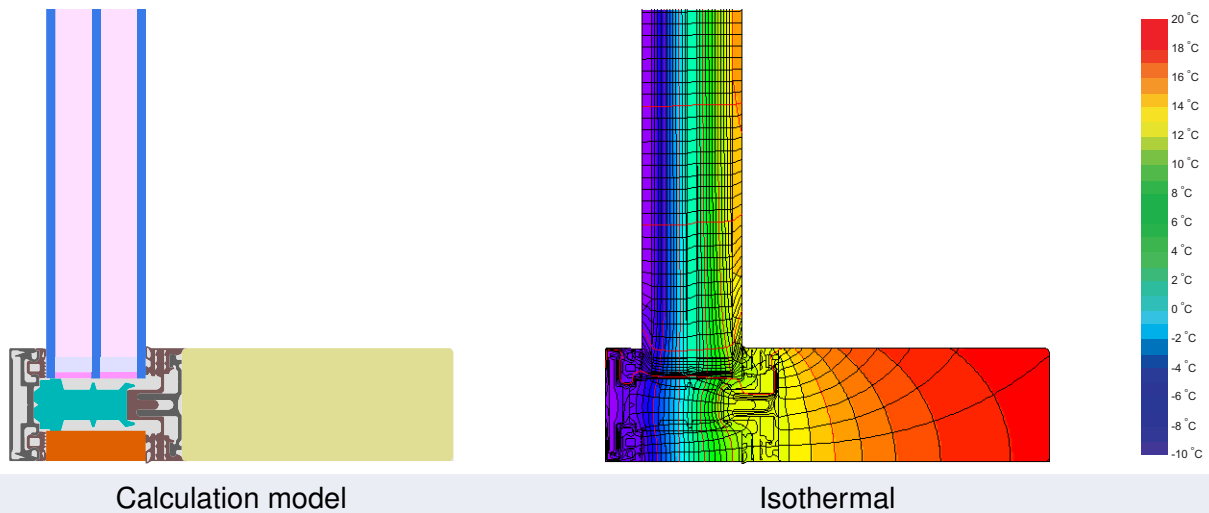
phC

phB

phA

phA+

[www.passivehouse.com](http://www.passivehouse.com)



### Description

Timber aluminum curtain wall with insulation in the glazing rebate (0.035 W/(mK)) Pane thickness: 44 mm (4/16/4/16/4), rebate depth: 13,5 mm, spacer: SWISSPACER Ultimate.

### Explanation






The element U-values were calculated for the test element size of 1.20 m × 2.50 m with  $U_g = 0.70 \text{ W}/(\text{m}^2 \text{ K})$ . If a higher quality glazing is used, the element U-values will improve as follows:

Glazing	$U_g =$	0.70	0.67	0.63	0.55	W/(m <sup>2</sup> K)
		↓	↓	↓	↓	
Element	$U_{CW}$	0.80	0.77	0.73	0.65	W/(m <sup>2</sup> K)

Transparent building components are sorted into efficiency classes depending on the heat losses through the opaque part. The frame U-Values, frame widths, thermal bridges at the glazing edge and the glazing edge lengths are included in these heat losses. A more detailed report of the calculations performed in the context of certification is available from the manufacturer.

The Passive House Institute has defined international component criteria for seven climate zones. In principle, components that have been certified for climate zones with higher thermal requirements may also be used in climates with less stringent requirements. In a particular climate zone it may make sense to use a component of a higher thermal quality which has been certified for a climate zone with more stringent requirements.

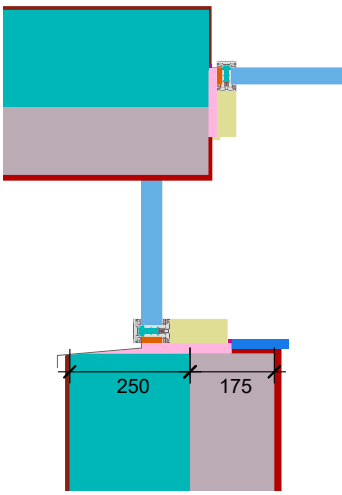
Further information relating to certification can be found on [www.passivehouse.com](http://www.passivehouse.com) and [passipedia.org](http://passipedia.org).

Frame values			Frame width $b_f$ mm	$U$ -value frame $U_f$ W/(m <sup>2</sup> K)	$\Psi$ -panel edge $\Psi_g$ W/(m K)	Temp. Factor $f_{Rsi=0.25}$ [-]
Top fixed	(tof)		50	1.04	0.028	0.73
Side fixed	(sf)		50	1.04	0.028	0.73
Bottom fixed	(bof)		50	1.04	0.028	0.73
Mullion fixed	(m)		50	1.03	0.030	0.73
Transom fixed	(tf)		50	1.02	0.030	0.73
			Spacer: SWISSPACER Ultimate		Secondary seal: Polysulfide	

### Validated installations

**Exterior insulation and finishing system (EIFS) (fixed glazed)**

$U_{Wall} = 0.13 \text{ W/(m}^2 \text{ K)}$

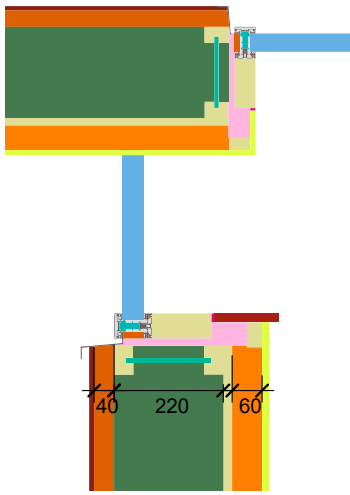


$\Psi_{install}$	W/(m K)
Top	0.023
Left	0.023
Right	0.023
Bottom	0.019

$U_{W,installed} = 0.83 \text{ W/(m}^2 \text{ K)}$

**Lightweight timber (fixed glazed)**

$U_{Wall} = 0.13 \text{ W/(m}^2 \text{ K)}$

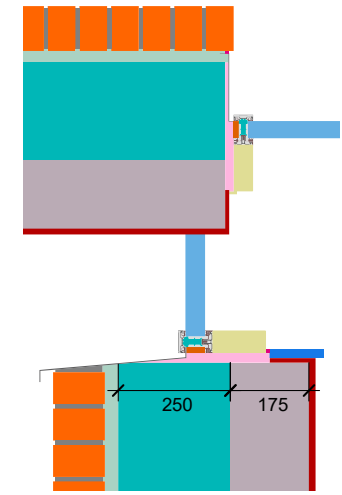


$\Psi_{install}$	W/(m K)
Top	0.028
Left	0.028
Right	0.028
Bottom	0.028

$U_{W,installed} = 0.84 \text{ W/(m}^2 \text{ K)}$

**Cavity wall (fixed glazing)**

$U_{Wall} = 0.13 \text{ W/(m}^2 \text{ K)}$



$\Psi_{install}$	W/(m K)
Top	0.021
Left	0.021
Right	0.021
Bottom	0.019

$U_{W,installed} = 0.83 \text{ W/(m}^2 \text{ K)}$

