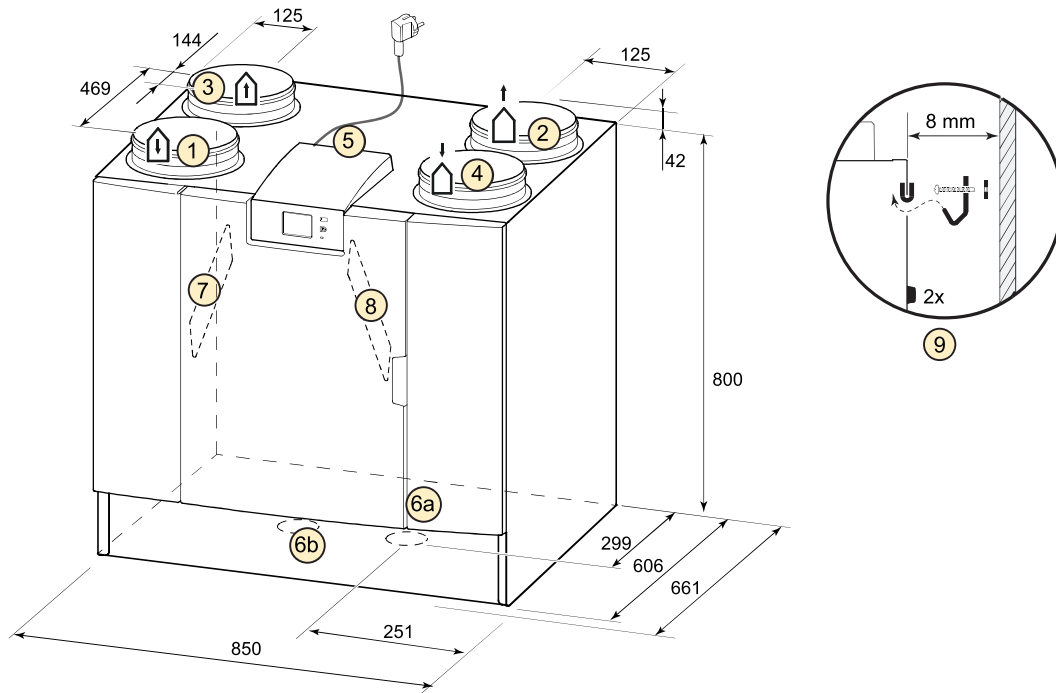


3.2 Connections and dimensions

The Ubiflux Vigor is available in a left-hand and right-hand version. With a left-hand version the “warm” connections (from dwelling 3 and to dwelling 1) are on the left-hand side of the appliance; with the condensate discharge is then mounted at the right-hand opening below the appliance. With a right-hand version the “warm” connections (1 & 3) are on the right-hand side of the appliance.

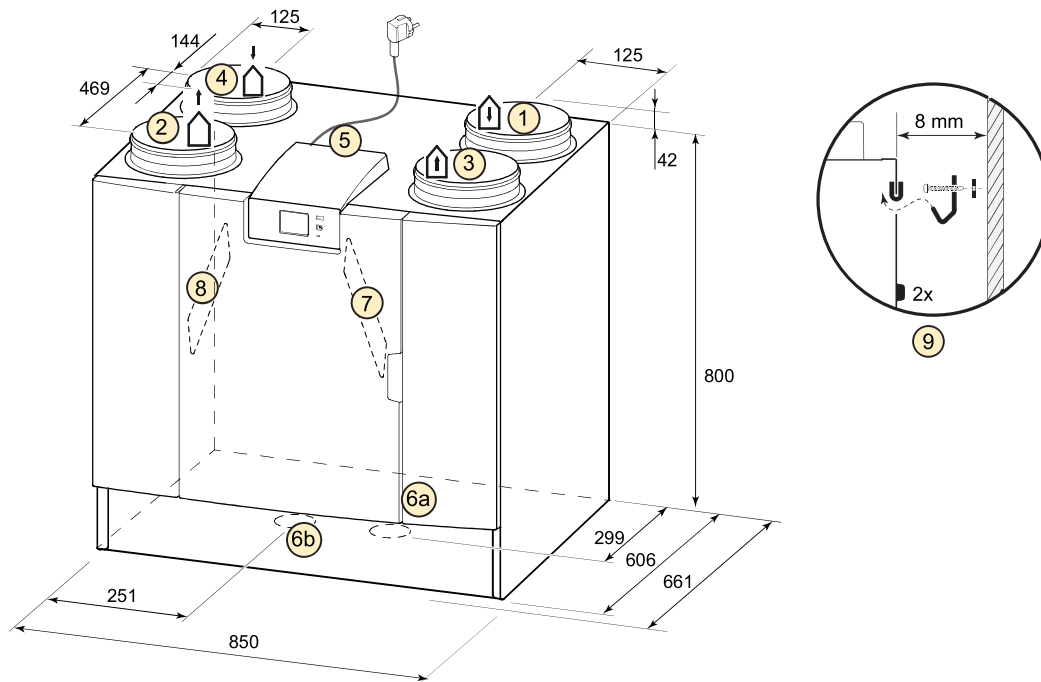
Left-hand version







All dimensions in millimeters. Diameter of all collars is 200 mm

1	Supply air	
2	Exhaust air	
3	Extract air	
4	Outdoor air	
5	Electrical connections	
6a	Siphon connection	
6b	Sealing cap unused condensate discharge connection; do not remove!	
7	Extract air filter	
8	Supply air filter	
9	Mounting bracket	

Right-hand version



All dimensions in millimeters. Diameter of all collars is 200 mm

1	To dwelling	
2	Exhaust air	
3	Extract air	
4	Outdoor air	
5	Electrical connections	
6a	Siphon connection	
6b	Sealing cap unused condensate discharge connection; do not remove!	
7	Extract air filter	
8	Supply air filter	
9	Mounting bracket	