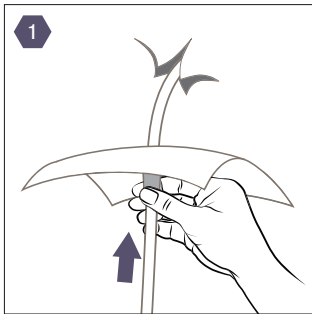


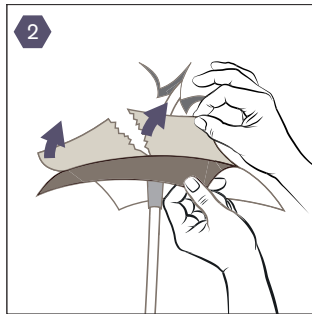
INSTALLATION GUIDE

Applicable for Partel cable sleeves and pipe collars: KABSEAL PRO, KABSEAL GAS, and KABSEAL HEAT.

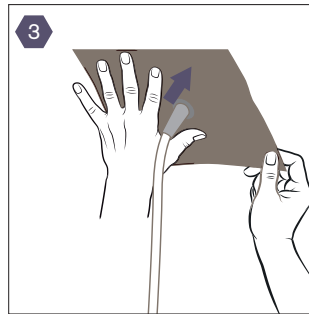
CABLE SLEEVES:



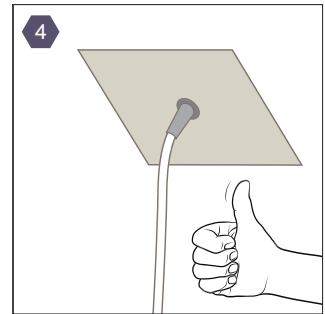
1 Pull the sleeve over the cable.



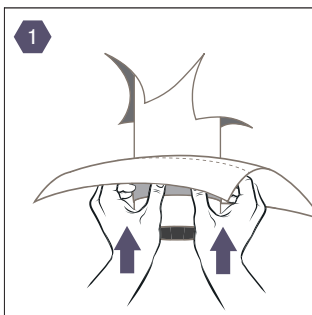
2 Remove the protective release backing film.



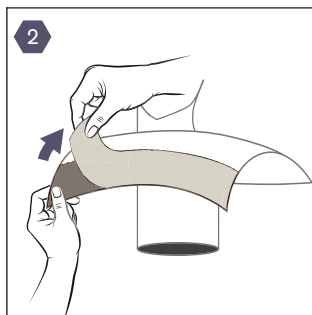
3 Press the adhesive collar firmly into place.



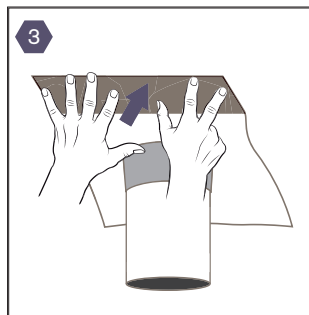
PIPE COLLARS:



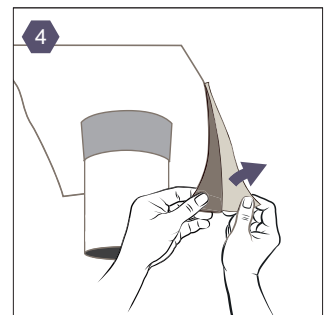
1 Pull the sleeve over the pipe.



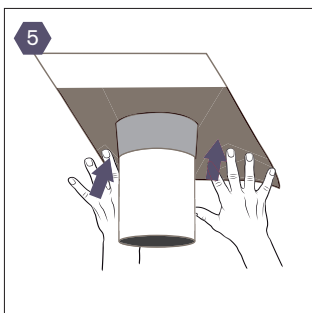
2 Remove the upper part of the protective release backing film.



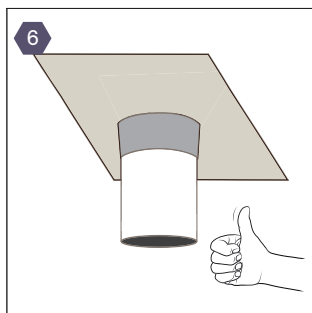
3 Press on the upper part of the adhesive collar firmly.



4 Remove the lower part of the protective release backing film.



5 Press on the lower part of the adhesive collar firmly.



Instructions for application:

The surface must be clean, dry, and free from dust and grease. For seamless connections against the substrate, it's recommended to avoid any creases.

Each diameter of the selected sleeve should have the right dimension for the cable bushing. To improve the adhesion of KABSEAL adhesive tapes on porous surfaces and various substrates like concrete, plaster, soft wood fibre boards etc., using ACRAPRIME® LIQUID or ACRAPRIME® SPRAY primer is recommended.

The sleeves are talcum covered during the manufacturing process. In case of a lack of smooth surface, please use the enclosed talcum bag and rework the inner grommet or the bushings. Perform a bonding test if any queries.