

Majvest[®] 500 SA

System Guidelines
for Self-Adhered Vapor
Permeable Water-Resistive
Barrier and Air Barrier
Installation



Introduction

These guidelines will outline the materials and process required to achieve a long-lasting water-resistive barrier (WRB) and air barrier (AB) assembly in commercial and residential construction, for the convenience of contractors, specifiers, and other construction professionals.

Diligence paid to sealing techniques, is crucial in creating a watertight and airtight enclosure for buildings that are required to deliver high performance.

These instructions do not replace any national, provincial, or local building codes. Install all products in accordance with manufacturer's specifications, local building codes, or (where applicable) specifications established by the licensed design professional.

Regional standard practices, environmental conditions, and codes may vary and supersede the procedures contained within. The responsibility for compliance is yours: the installer, inspector and owner(s).

Contents

Part 1 System Overview	4
1.1 Introduction	4
1.2 Components	4
1.3 Usage & Substrate Matrix	5
Part 2 Air Barrier Design Considerations	6
Part 3 Job Site Parameters	7
3.1 Preconstruction	7
3.2 Substrate Preparation	7
3.3 Priming	7
3.4 Site Conditions	7
3.5 Storage	7
Part 4 Installation Requirements	8
4.1 Tools Required	8
4.2 Overlap Requirements	8
4.3 Sheet Installation Process	9
4.4 Working Methods	10
Part 5 Construction Details	11
5.1 Penetrations	11
5.1.1 Target Method Option	11
5.1.2 Round Penetrations	12
5.1.3 Square Penetrations	13
5.2 Fenestrations	14
5.2.1 WRB/AB Preparation: Cut-Out Method	14
5.2.2 Pre-Flashing	15
5.2.3 Window Installation: Non-Flanged	17
5.2.4 Post-Window WRB/AB Integration	18
5.3 Field WRB/AB Details	19
5.3.1 Inside & Outside Corners	19
5.3.2 Through-Wall Flashing	20
5.3.3 Substrate Control Joint	21
5.3.4 Cladding Attachments: Brick Ties	22
5.3.5 Base of Wall with Brick Ledge	23
5.3.6 Parapet	24
5.3.7 Damage Repair	25
SIGA Reliability	26
Product Information	27
Training	30

PART 1 System Overview

1.1 INTRODUCTION






This installation manual includes materials and installation procedures for SIGA Majvest 500 SA Self-Adhered Water Resistive Air Barrier system.

Majvest 500 SA is a vapor permeable, 3-ply membrane, with the reverse face fully coated by a pressure-sensitive glue for direct bonding to substrates. The adhesive side of the sheet is protected by a white, siliconized, split-release liner, which is removed during installation.

Designed as an air and water barrier for exterior wall construction, Majvest 500 SA meets or exceeds industry standards for a vapor-permeable WRB and AB as prescribed by the current IBC, IECC and NBC.

1.2 COMPONENTS

Use the SIGA products below to complete a resilient, above-grade exterior building envelope. Additional product data can be found at the end of these Guidelines or at siga.swiss.

	PRODUCT	DIMENSIONS	AREA
MEMBRANE PRODUCTS			
	Majvest® 500 SA 60"	60 in x 100 ft	500 sq ft
	Majvest 500 SA 18"	18 in x 100 ft	150 sq ft
FLASHING PRODUCTS			
	Wigluv® 60	2.4 in x 131 ft	
	Wigluv 100	3.9 in x 82 ft	
	Wigluv 150	5.9 in x 82 ft	
	Wigluv 230	9 in x 82 ft	
	Fentrim® 230 grey 75mm	2.9 in x 82 ft	
	Fentrim 230 grey 100mm	3.9 in x 82 ft	
	Fentrim 230 grey 150mm	5.9 in x 82 ft	
PRIMER			
	Dockskin® 100	2.2lbs	54 sq ft / bottle

PART 1 System Overview

1.3 USAGE & SUBSTRATE MATRIX

	Majvest 500 SA	Majvest 500 SA Detail Roll	Wigluv 60	Wigluv 60 100/150/230	Fentrim 230 grey 75/100/150
RECOMMENDED USAGE					
Field of Wall (WRB)					
Pre-stripping					
Penetration Sealing					
Fenestrations					
Corners					
Substrate Transitions					
Expansion Joint					
Damage Repairs to Air Barrier					
Reverse Laps					
SUBSTRATES WITH RECOMMENDED MINIMUM OVERLAP					
Plywood	2"	2"	1"	1"	1"
Exterior Gypsum	2"	2"	1"	1"	1"
OSB	2" <small>*Dockskin 100</small>	2" <small>*Dockskin 100</small>	1"	1"	1"
Metal	2"	2"	1"	1"	1"
Rigid Insulation EPS / XPS / PU	2"	2"	1"	1"	1"
Concrete	4"	4"		2" <small>*Dockskin 100</small>	2"
Hard Plastics / Vinyl			½"	½"	½"
Electric Wires			½"	½"	½"
Majvest 500 SA	4"	4"	1"	1"	1"

PART 2 Air Barrier Design Considerations

Using the Majvest 500 SA membrane will support creation of a durable exterior air-barrier assembly, in addition to performing as a robust weather-resistive barrier. The continuous bonding of the membrane to the wall substrate offers significant advantages in reducing air and moisture movement behind the installed membrane. These benefits are amplified in multi-story buildings.

Completing a whole-building air-tightness approach requires maintaining this continuous air sealed layer, as it transitions in, out, and around structural components, penetrations, and claddings (see Figure 1). Proper detailing, construction sequencing, and material selection are essential to achieving this additional air-tight attribute. Penetrations, windows and other critical transitions may be detailed either before or after the field WRB/AB .

- ① Parapet / Roof to Wall
- ② Cladding attachments
- ③ WRB/AB overlaps
- ④ Changes in substrate
- ⑤ Flashing integration
- ⑥ Fenestrations
- ⑦ Penetrations
- ⑧ Foundation to wall

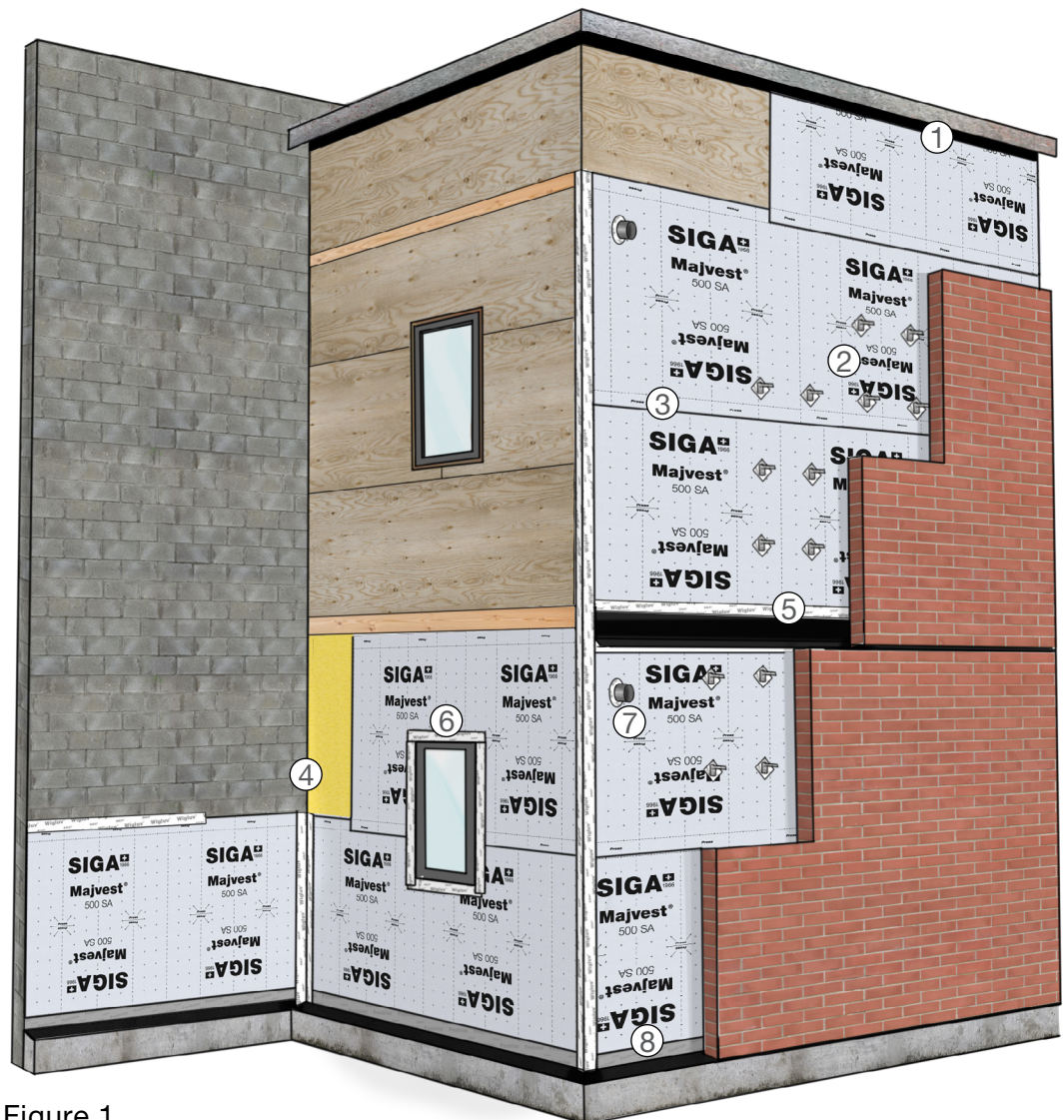


Figure 1

PART 3 Job Site Parameters

3.1 PRECONSTRUCTION

For best results, convene a preconstruction meeting with all parties relevant to building envelope construction, before proceeding with WRB/AB installation.

- Construct a project-specific mockup to manage the constructability, compatibility, and sequencing or different materials and processes
- Full curing of all sealants and subsequent water intrusion and air-tightness testing is recommended
- Ensure that all building components e.g. windows, doors, penetrations, etc. are installed in accordance with the manufacturer's instructions

3.2 SUBSTRATE PREPARATION

Proper substrate preparation will help ensure reliable adhesion, which will maximize the air-barrier function of Majvest 500 SA.

- Substrate should be smooth, dry, and free of debris, frost, grease, contaminants and sharp edges
- Mechanical fasteners should be installed flush to the substrate surface
- Ensure masonry substrates are clean and dry with mortar joints struck flush
- Ensure concrete has cured 28 days minimum and surfaces are clean and dry with fins ground flush and void areas filled
- Fill joints and cracks greater than ½" but less 1" using compatible sealant recommendations. For further details, refer to Technical bulletin "Sealant adhesion and compatibility"
- Fill joints and cracks greater than 1" using closed cell foam backer rod and sealant in accordance with air barrier manufacturer's written recommendations
- An acceptable substrate moisture content needs to be reached prior to adhesion of Majvest 500 SA. For further details, refer to Technical Bulletin "Majvest 500 SA: Accepted moisture content within a substrate prior application"

3.3 PRIMING

Primer is not required for most common substrates. The usage of primer can depend on site-specific conditions: installers may choose to reinforce highly porous, loose textured, or exposure-damaged surfaces with SIGA Dockskin 100 penetrating primer.

- Conduct a pull-test on-site for any questionable conditions
- Re-coat any primed surfaces left exposed at the end of the working day before adhering Majvest 500 SA
- For further details, refer to Technical Bulletin "Majvest 500 SA: Statements of Material Compatibility"

3.4 SITE CONDITIONS

- Install Majvest 500 SA in ambient temperatures of 14° F (-10° C) and above
- Maximum UV exposure of installed Majvest 500 SA, per Climate Zone as defined by the IECC:
 - > Climate Zones 3 to 8: 6 months
 - > Climate Zones 1 and 2: 3 months
- Cover Majvest 500 SA as soon as practical after installation
- Do not install in rain or inclement weather, or when substrate is damp or frost-covered
- Avoid accumulation of dirt and debris onto facer during installation

3.5 STORAGE

- Store Majvest 500 SA in original packaging in a cool, dry location
- Protect rolls from direct sunlight and weather until ready for use
- No long-term storage limitations, when above conditions are maintained

PART 4 Installation Requirements

Best-practices for installing self-adhered membranes follow familiar weather-lapping and durability basics of any water-shedding surface. Take advantage of the adhesive backing by using the following techniques, which increase overall speed and can enable single-worker application.



The adhesive-layer of Majvest 500 SA is pressure sensitive, and all installed areas must be heavily burnished.

4.1 TOOLS REQUIRED

- SIGA Squeegee 12"
- J-Roller with rubber roller
- Sharp razor knife
- Tape measure
- Pencil or chalk line

4.2 OVERLAP REQUIREMENTS

- Minimum vertical and horizontal overlap is 4" (see Figure 2)
- Majvest 500 SA is non-directional and may be installed horizontally or vertically
- All vertical overlaps shall be fully terminated using a continuous strip of Wigluv 60 or wider
- Offset vertical joints (8" minimum) to avoid paths for moisture intrusion at tangential overlaps

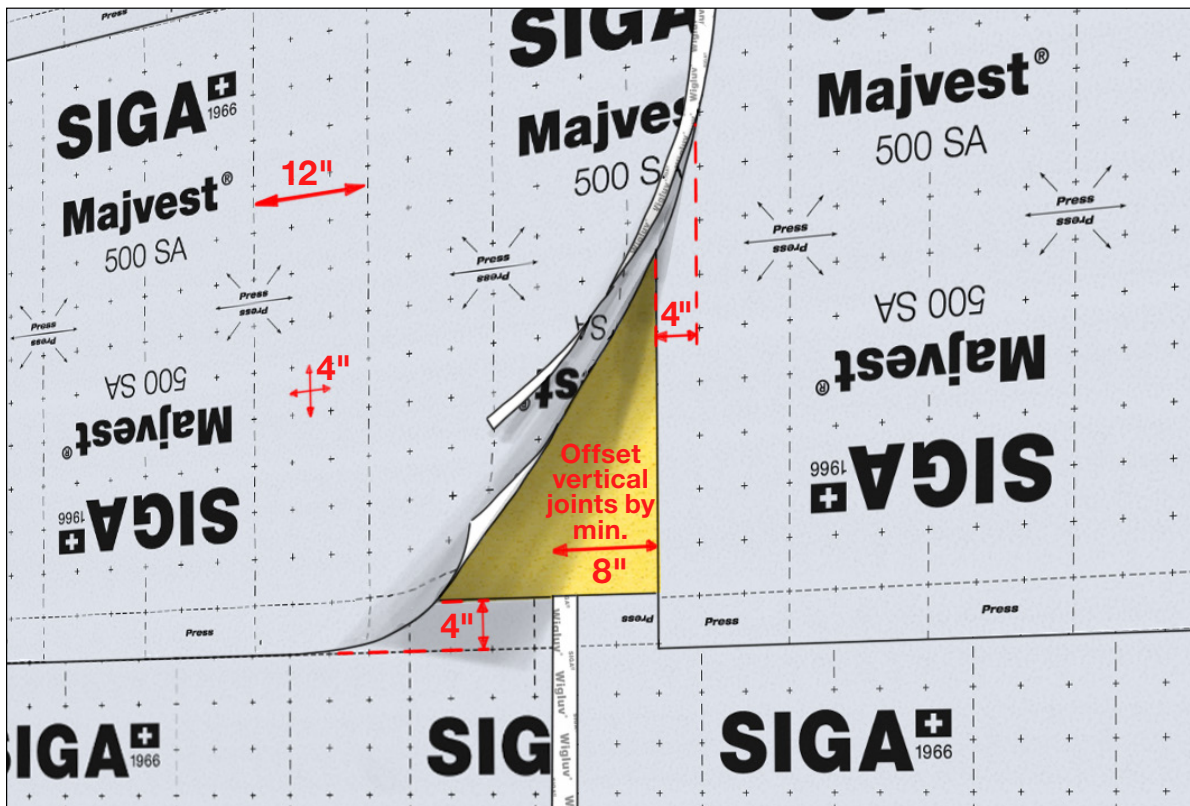


Figure 2

PART 4 Installation Requirements

4.3 SHEET INSTALLATION PROCESS

1. Back roll

- Pre-cut material to length, before adhering to the wall. Favor shorter, square places
- Markings are printed every 12" for tool-free measuring
- Back roll onto itself (with release film facing outward) for easiest handling

2. Establish level

- Mark course height using a pencil or chalk line, or by using overlap guide on previous course
- Ensure 4" minimum horizontal and vertical overlap, aided by factory-printed grid and overlap guides

3. Start one upper corner

- Peel back upper corner of release liner and position onto wall at leveling mark
- Apply pressure to adhered area

4. Position upper half of membrane

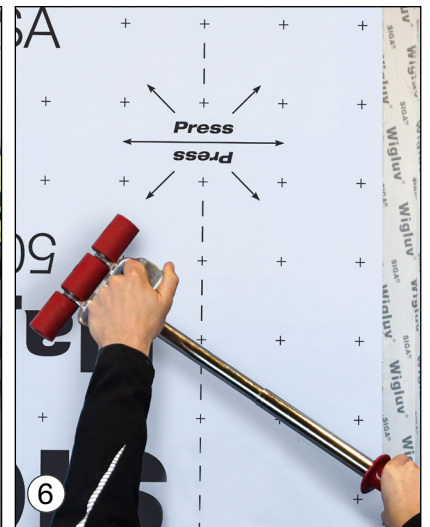
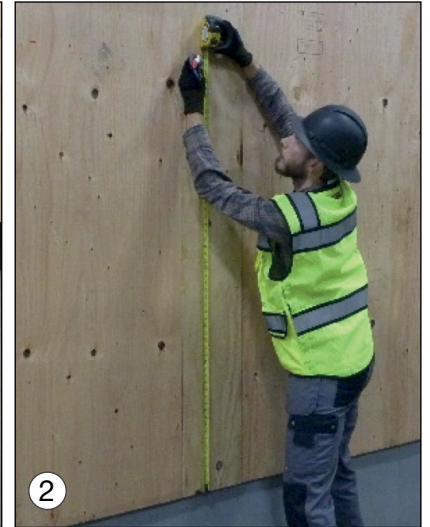
- Gradually peel off release liner while applying flat to wall, maintaining level
- Smooth lightly from center out, to minimize wrinkling and air bubbles

5. Position lower half of membrane

- Gradually peel release liner from bottom half
- Smooth lightly by hand while removing (shown), to minimize stretching and wrinkles

6. Press on firmly

- Apply even pressure to entire surface using J-roller (shown)



PART 4 Installation Requirements

4.4 WORKING METHODS

4.4.1 Layering Strategy

- Install courses in water-shedding fashion, starting at the base of wall and working upwards
- Pre-strip windows and penetrations prior to installing the field WRB/AB to reduce incidence of reverse laps
- Favor short sections of material and straight cuts



Leave the backing of the lower portion of membrane to later integrate the field membrane underneath. Alternatively use a piece of Wigluv to facilitate adhesion for offset vertical overlaps.

4.4.2 Material Management

- Pre-cut multiple lengths of material and back-roll on itself
 - > Recommended manageable working length is 12', maximum 20'
 - > Label length of each pre-cut roll on the white release liner using a lumber crayon (soft)
 - > Stage pre-cut rolls vertically until wall application
- Use the factory printed grid (every 4") and perpendicular dashed lines (every 12") to simplify measuring
- Retain portions of the plastic release liner in place to ensure proper lapping when construction steps are out-of-sequence

4.4.3 End of the Working Day

- Provide temporary weather protection for leading edges of Majvest 500 SA on any unfinished wall fields where membrane application has begun (Figure 3)
- Terminate any horizontal (reverse lapped) and vertical edges with Wigluv
- Plastic sheeting may also be used if installed to resist wind and moisture
- Return partial membrane rolls to storage and protect from moisture and UV



Figure 3

PART 5 Construction Details

5.1 PENETRATIONS

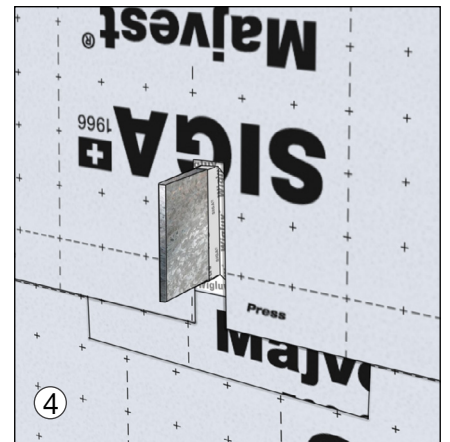
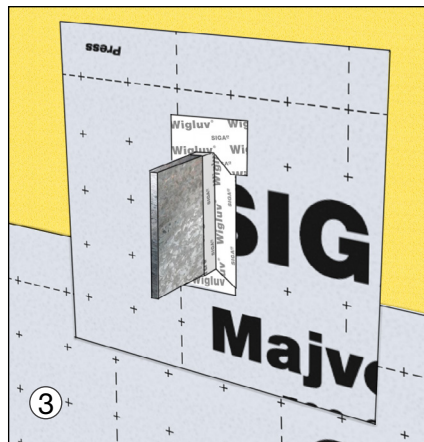
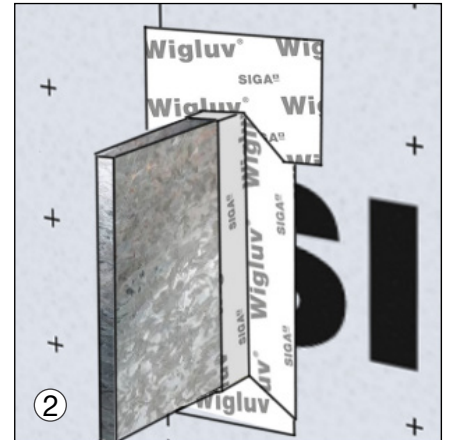
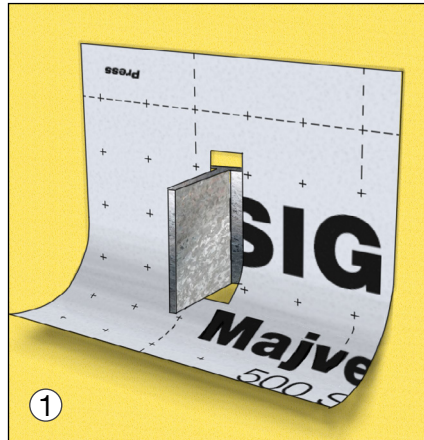


Penetrations may be detailed either before or after the Field WRB/AB has been installed.

5.1.1 Target Method Option

Use the Target Method when sealing penetrations before Field WRB/AB is installed. The Target Method promotes a full drainage plane integration with the WRB/AB course, as described below.

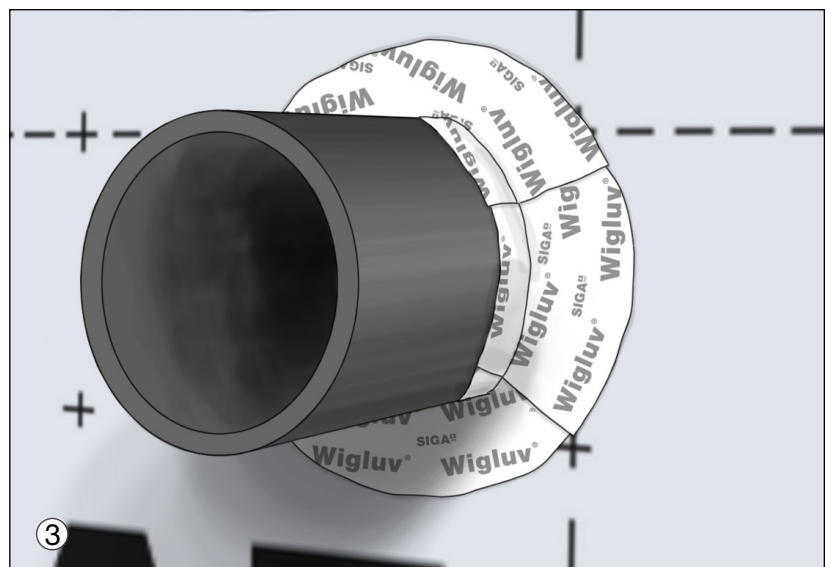
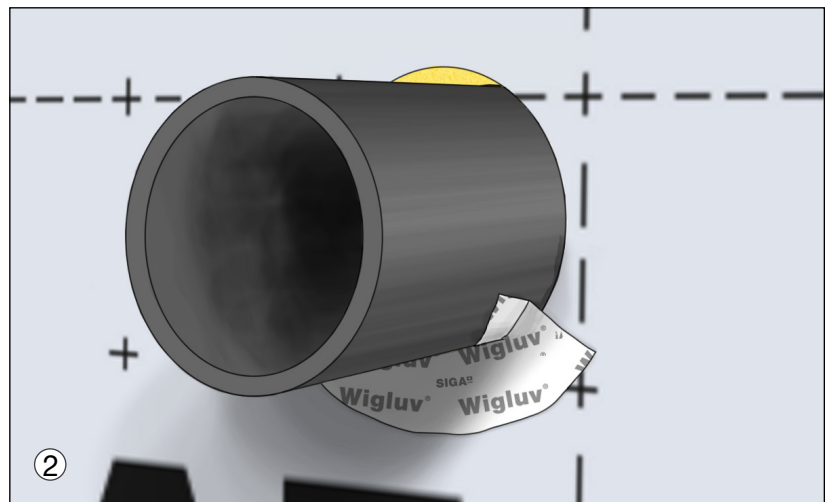
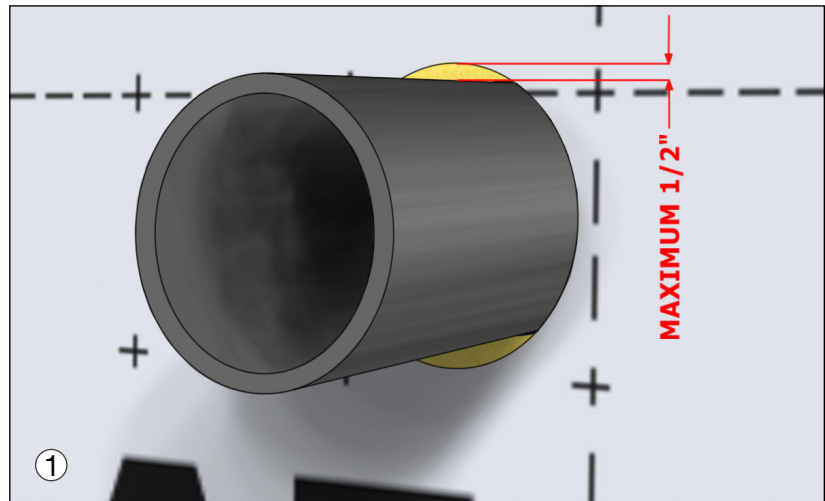
1. Cut a rectangular "Target" of Majvest 500 SA a minimum of 6" around entire penetration
 - 18" Detail Roll is recommended
 - Cut an opening $\frac{1}{2}$ " larger than size of penetration, centered in the Target
 - Remove backing material from upper portion only
 - Apply to wall, leaving a flap of un-adhered material below the penetration
2. Seal penetration with Wigluv (see 5.1.2 & 5.1.3 for instructions)
3. Shingle lower course of Majvest 500 SA field membrane beneath
4. Install upper course of Majvest 500 SA field membrane:
 - Create a u-shaped cutout around penetration
 - Maintain required overlaps between sheets



PART 5 Construction Details

5.1.2 Round Penetrations

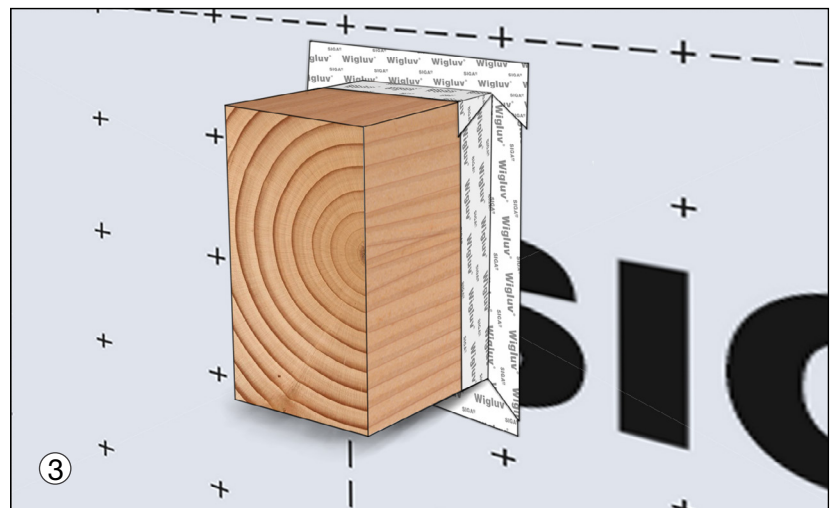
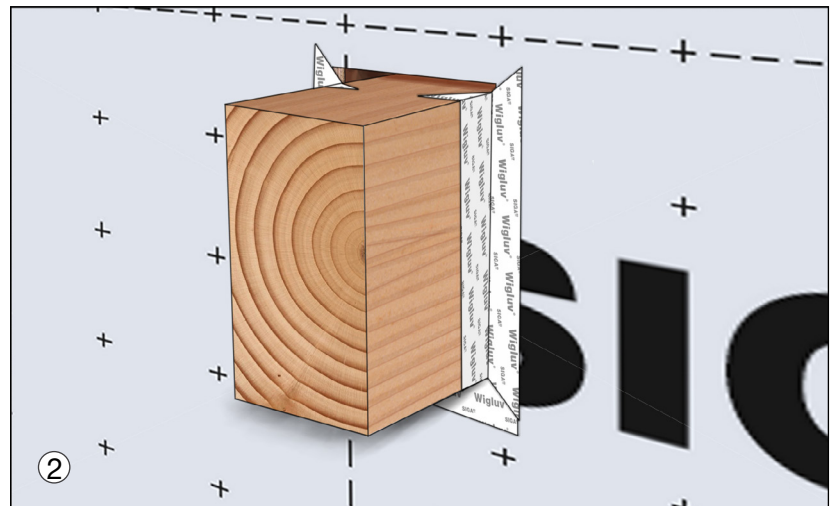
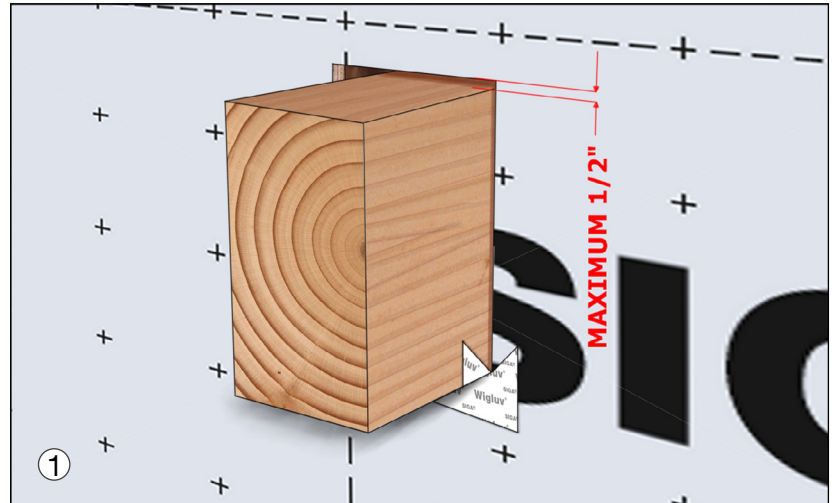
1. Cut Majvest 500 SA cleanly around penetration
 - Recommended unsupported gap of 1/2" maximum
2. Create a gasket with short pieces of Wigluv in shingle fashion
 - Fold tape lengthwise
 - Apply to penetration, then to Majvest 500 SA
 - Press on firmly while avoiding too much tension on the tape
3. Repeat, overlapping each piece of tape to assemble a gasket
 - Always finish with the top piece



PART 5 Construction Details

5.1.3 Square Penetrations

1. Trim Majvest 500 SA $\frac{1}{2}$ " larger than the penetration and seal in shingle fashion, starting at the bottom edge
 - Cut a piece of Wigluv to extend 1" past left and right horizontal edge of penetration
 - Fold Wigluv in half lengthwise and bond to penetration, then to Majvest 500 SA
 - Make 45° cuts at each end, from the inside corner outward
 - Press on firmly while avoiding too much tension on the tape
2. Repeat for 2 vertical lengths of penetration
3. Repeat for horizontal top edge, extending minimum $\frac{1}{2}$ " wider than vertical pieces



PART 5 Construction Details

5.2 FENESTRATIONS

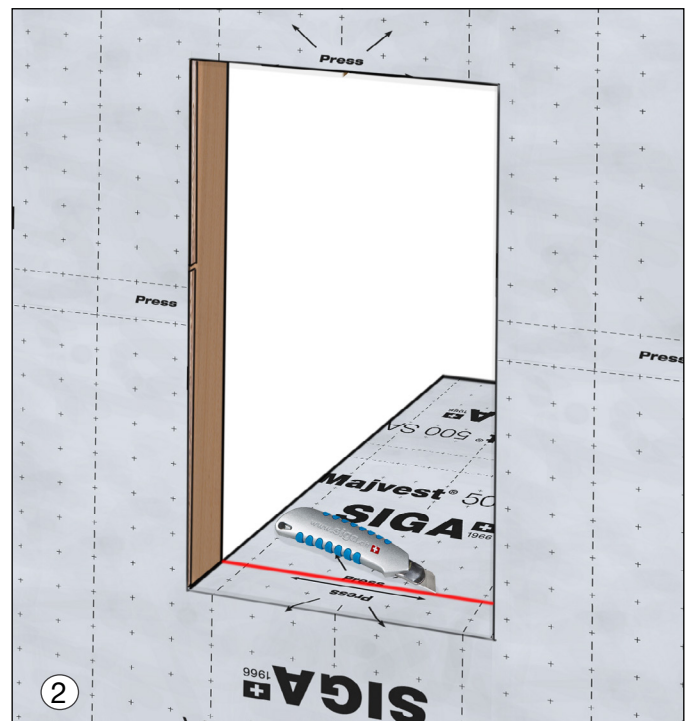
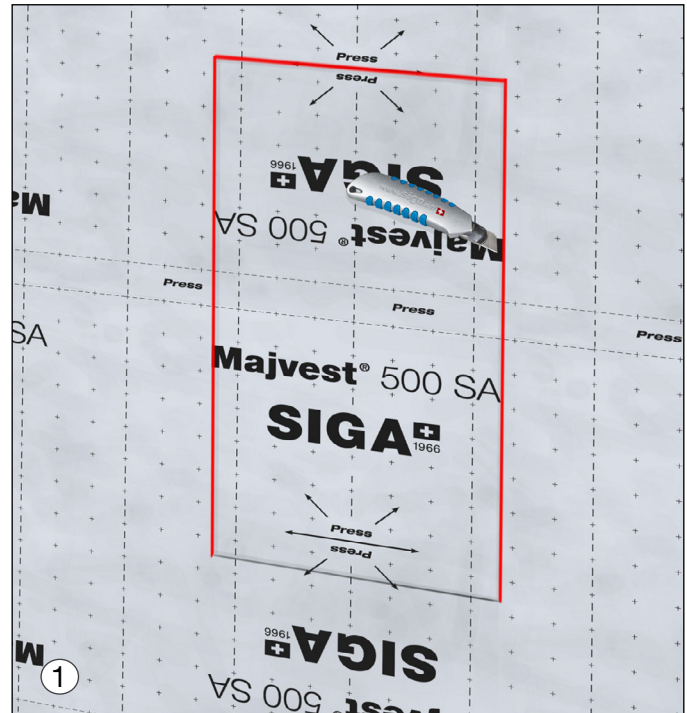


Download the Ultimate Guide to Window Flashing to learn more. Available at: <https://go.siga.swiss/ultimate-guide-to-window-flashing/>

5.2.1 WRB/AB Preparation: Cut-Out Method

For installations where the Field WRB/AB will be installed before the windows, Majvest 500 SA is applied directly over the rough opening (RO).

1. Cut out the RO
 - Make 3 flush cuts: along entire length of head and both jambs
2. Fold onto sill
 - Crease flap of loose material along sill edge and into opening. Press on firmly and flush cut excess at interior edge of RO



PART 5 Construction Details

5.2.2 Pre-Flashing

Requirements:

- ▶ Minimum coverage 3" onto exterior sheeting
- ▶ Coverage into RO +1.5" past window frame
- ▶ Process is the same for either type of WRB/AB preparation (Cut-Out Method shown)

1. Flash sill

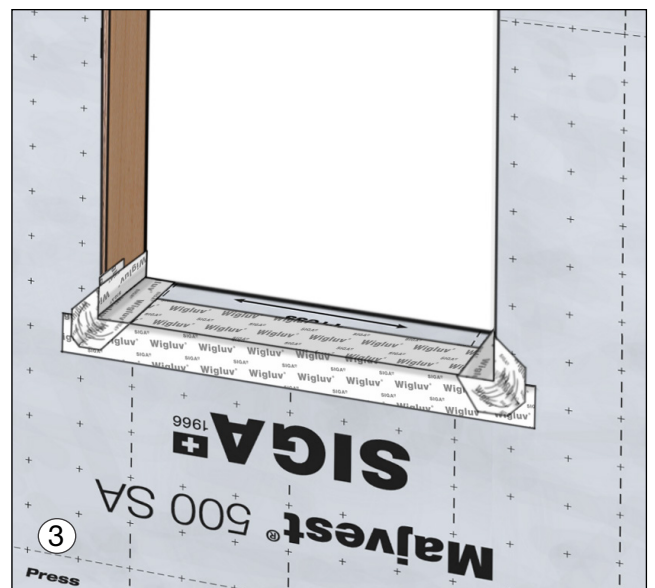
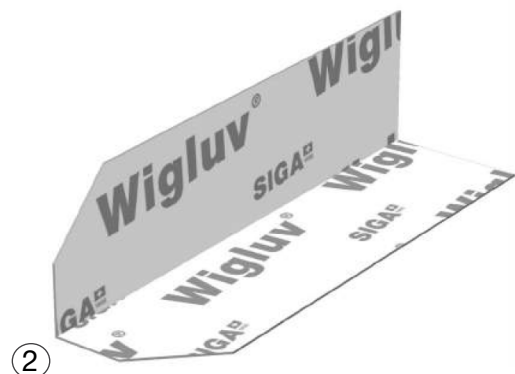
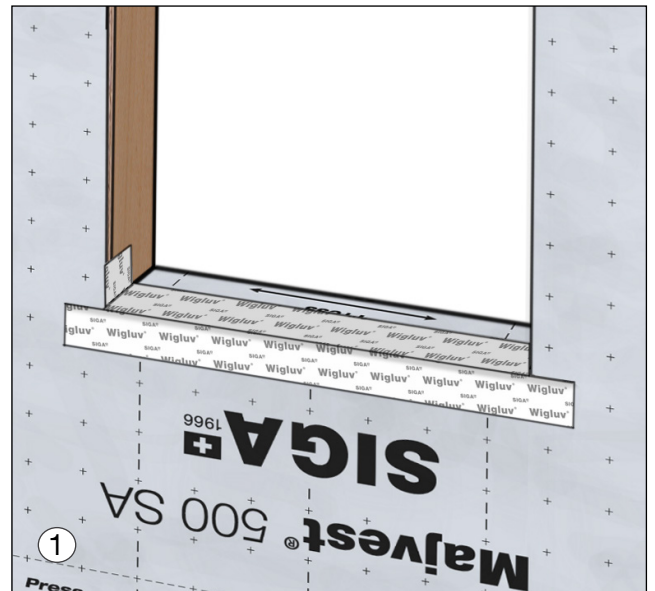
- Cut to length: full width of sill +4" (to extend 2" past each end)
- Crease along split backing and remove one backing strip
- Center and apply to exterior face
- Cut along crease from each corner to end
- Remove second backing strip and fold into RO
- Work out from center, upturning excess at each end
- Press on firmly while avoiding too much tension on the tape

2. Create gusset with Wigluv 100

- Cut to length: full depth of RO + 3"
- Crease along split backing
- Trim off 45° angle 'dog-ear'

3. Sill gussets

- Install crease into lower corners of RO
- Fold surplus onto exterior at a 45° angle
- Spread from center to reduce wrinkling
- Press on firmly while avoiding too much tension on the tape



PART 5 Construction Details

4. Flash jamba

- Cut to length: top of jamb +2" and flush to bottom edge of Wigluv sill flashing
- Repeat sill flashing method

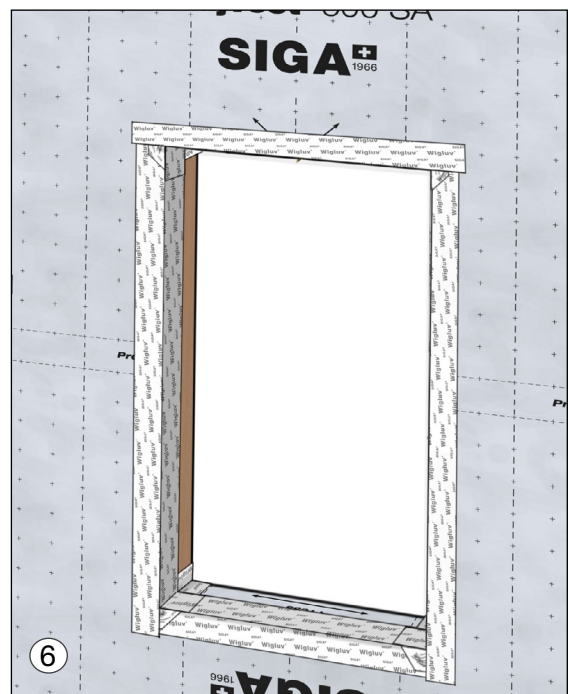
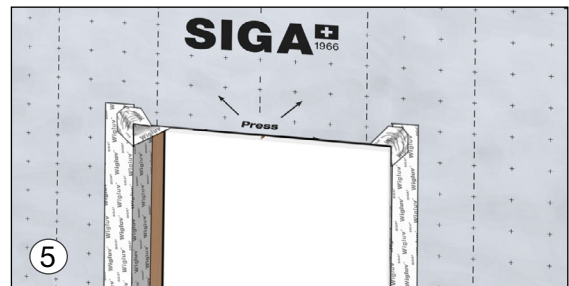
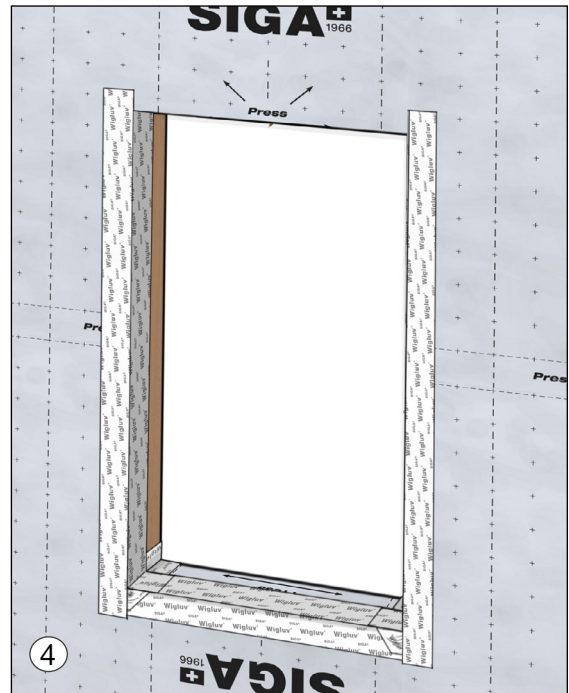
5. Head gussets

- Repeat steps 2+3 at upper corners of RO

6. Flash head

- Cut to length: minimum 1" wider than outer edges of jamb flashings
- Repeat sill flashing method

7. Process with window installation per manufacturer's recommendations. See 5.2.3 or 5.2.4



PART 5 Construction Details

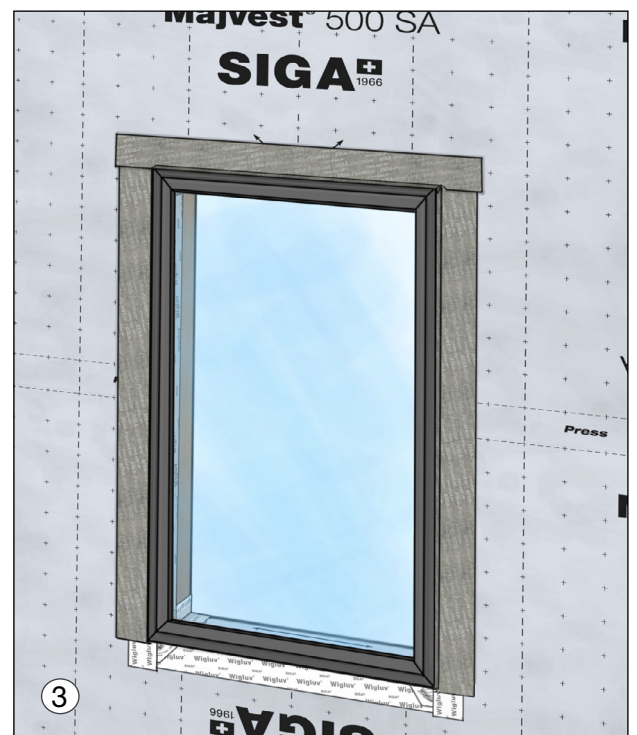
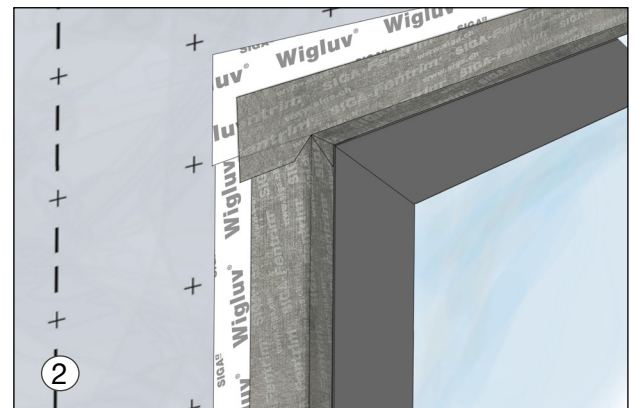
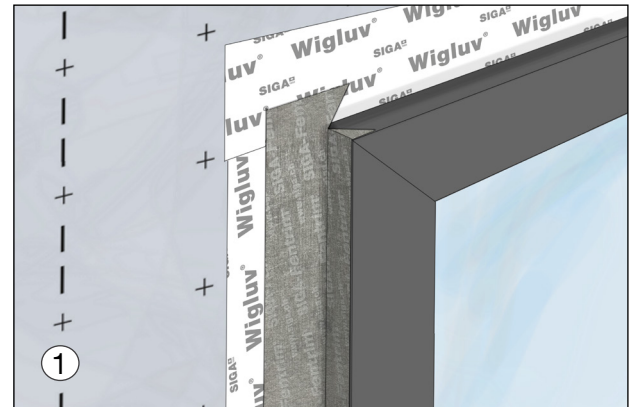
5.2.3 Window Installation: Non-Flanged

Install window according to manufacturer's instructions. Shim to maintain consistent ½" insulation gap around entire perimeter

1. Seal window jamb profiles
 - Install Fentrim 230 grey along full length of jamb profile and extending +1" past top edge
 - Do NOT cover joint at sill to allow for drainage, unless specified by manufacturer and allowable by code
 - Make 45° relief cut from each upper corner and bond triangle flap to window
2. Seal window head profile
 - Install Fentrim 230 grey along full length of head profile and extending +1" past each edge of jamb tape
 - Repeat 45° relief cut from each upper corner. Bond triangle flap to window.
3. How it should look



Depending on window type, the sill can either be taped or left open for drainage. Check with your window manufacturer before taping.

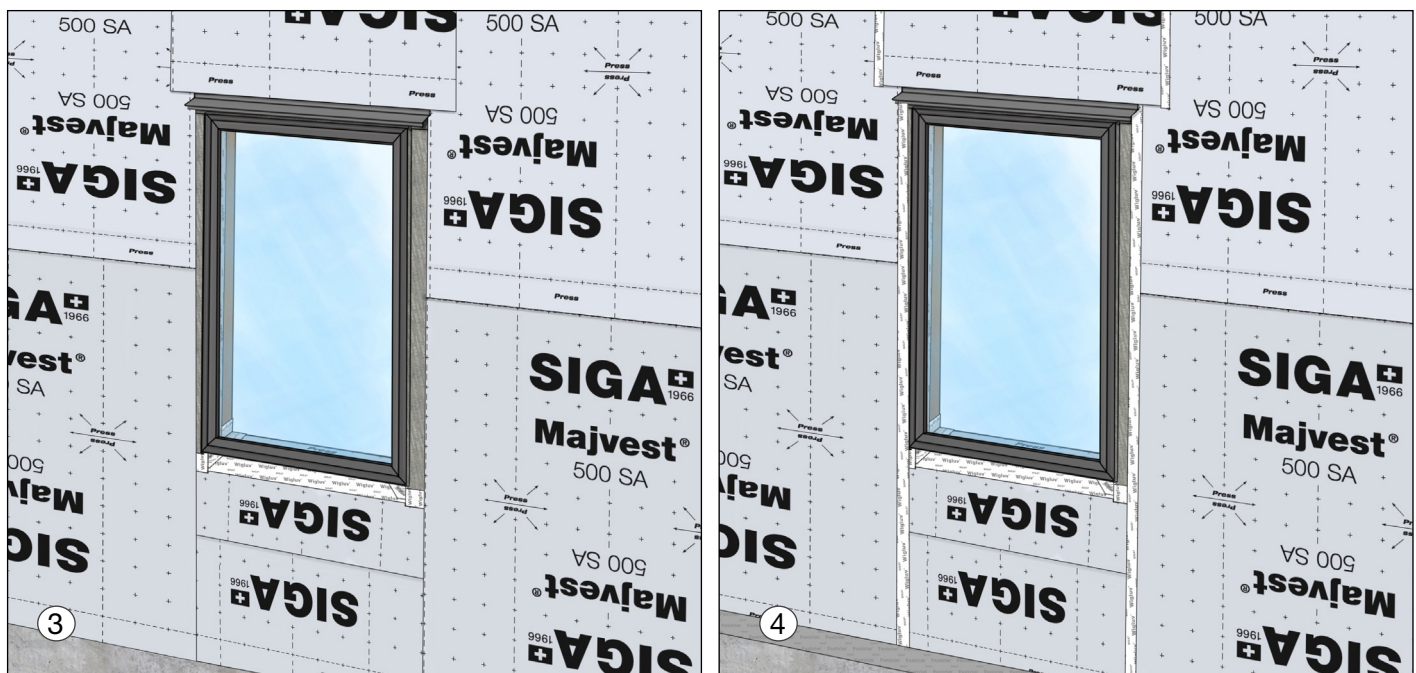
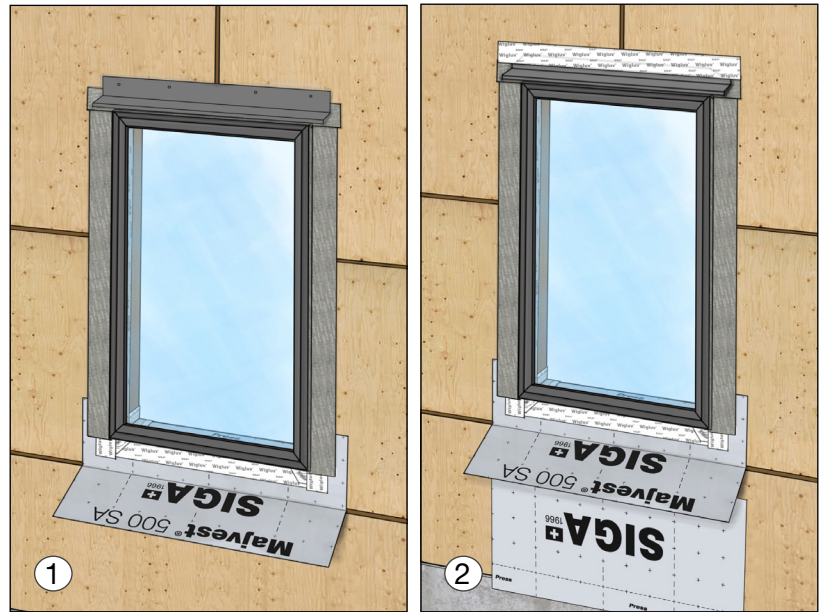


PART 5 Construction Details

5.2.4 Post-Window WRB/AB Integration

Begin with fully-flashed window (see 5.2.2 or 5.2.3) with apron intact

1. Install metal head flashing per project spec
2. Extend the apron
 - Install a section of Majvest 500 SA the same width as the apron, from the window sill down to the next course
 - Remove backing strip and bond the overlap
 - Press on firmly while avoiding too much pressure on the tape
3. Install surrounding Field WRB/AB courses, providing 1" offset of Majvest 500 SA at jambs to allow for sealing vertical edge
4. Terminate vertical overlaps with Wigluv and press on firmly

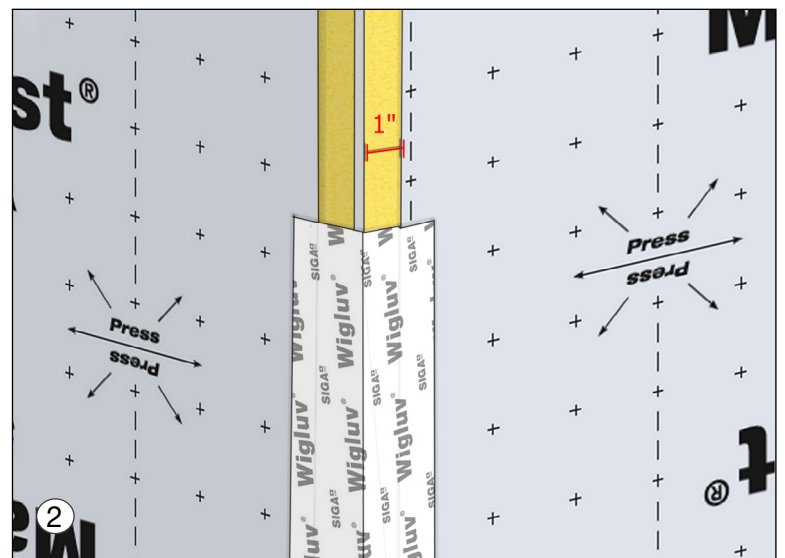


PART 5 Construction Details

5.3 FIELD WRB/AB DETAILS

5.3.1 Inside and Outside Corners

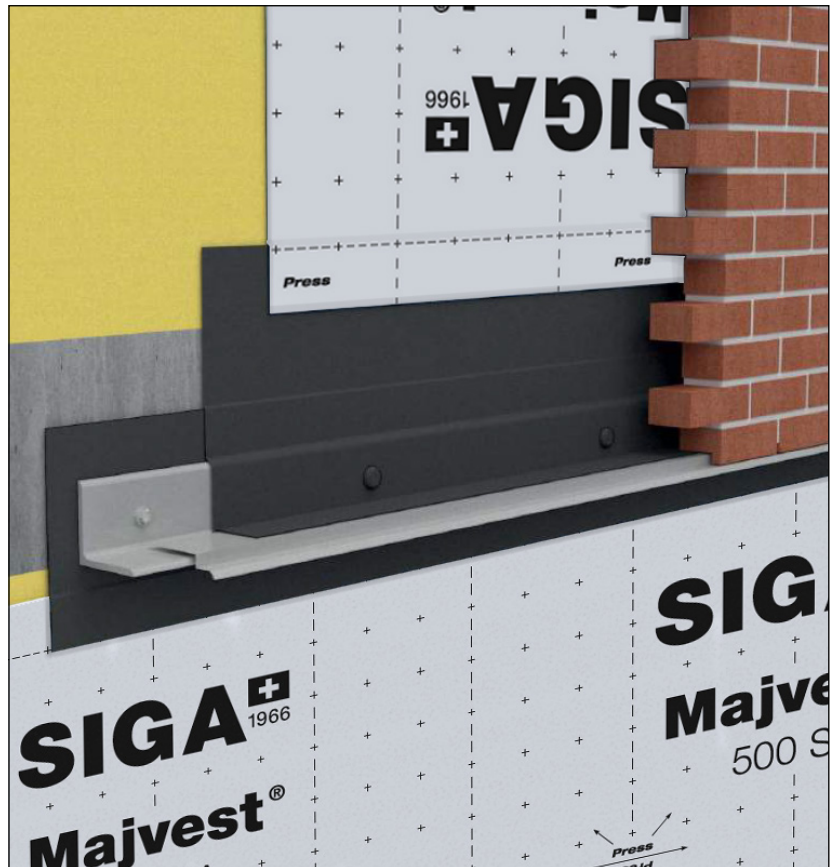
1. Install Majvest 500 SA at both sides of corner
 - Terminate each course approx. 1" from corner
 - Knock down any sharp edges of cut sheathing
2. Install strip of Wigluv 150 or wider in shingle fashion centered vertically on the corner
 - Ensure full contact to all surfaces, contouring irregular cut edges if possible
 - Center vertically on corner and overlap sheathing and Majvest 500 SA
3. How it should look



PART 5 Construction Details

5.3.2 Through-Wall Flashing

1. Before shelf angle installation, apply a course of impermeable through-wall flashing membrane (TWF, shown in black) onto slab edge, overlapping Majvest 500 SA course below
2. Install shelf angle and stainless steel drip edge
3. Install another course of TWF to bridge stainless steel drip edge, shelf angle, slab edge and upper wall sheathing



PART 5 Construction Details

5.3.3 Substrate Control Joint

Interrupt field WRB/AB by terminating within 1" of each side of expansion joint and bridge the span using Wigluv 150 or wider.

Ⓐ For vertical joints:

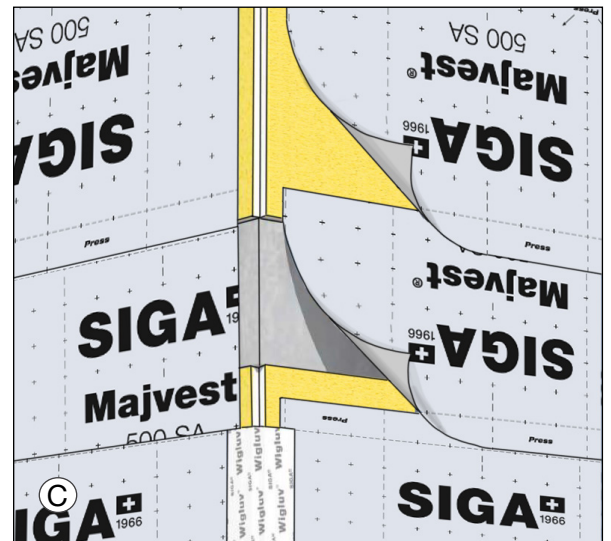
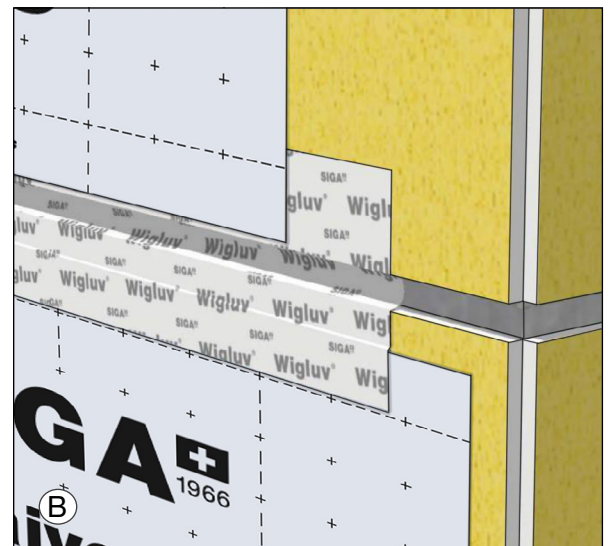
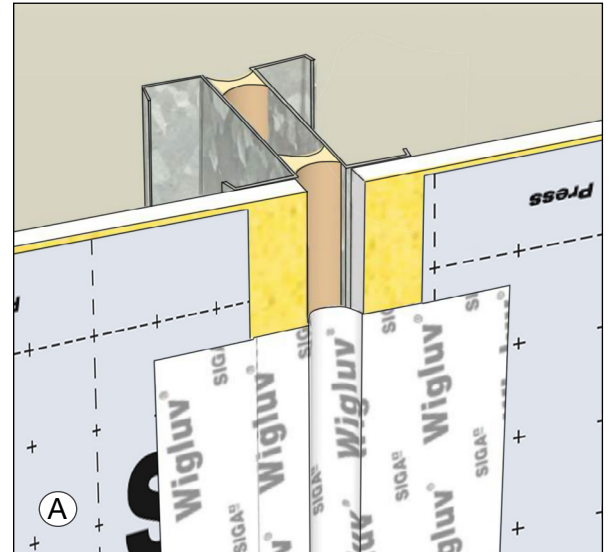
- Install Wigluv 150 or 230 to bridge the span and capture both edges of Majvest 500 SA
- Create stress-relief loop into joint
- Apply centered along joint

Ⓑ For horizontal joints:

- Terminate lower course of field WRB/AB before installing Wigluv
- Create a stress-relief loop into joint
- Ensure positive weather lapping of subsequent field WRB/AB layers

Ⓒ For cross-floor joints:

- Install band of Majvest 500 SA or Wigluv to decouple field WRB/AB at mixed substrates
- For horizontal control joints, apply minimum 4" onto upper substrate
- Maintain lapping requirements

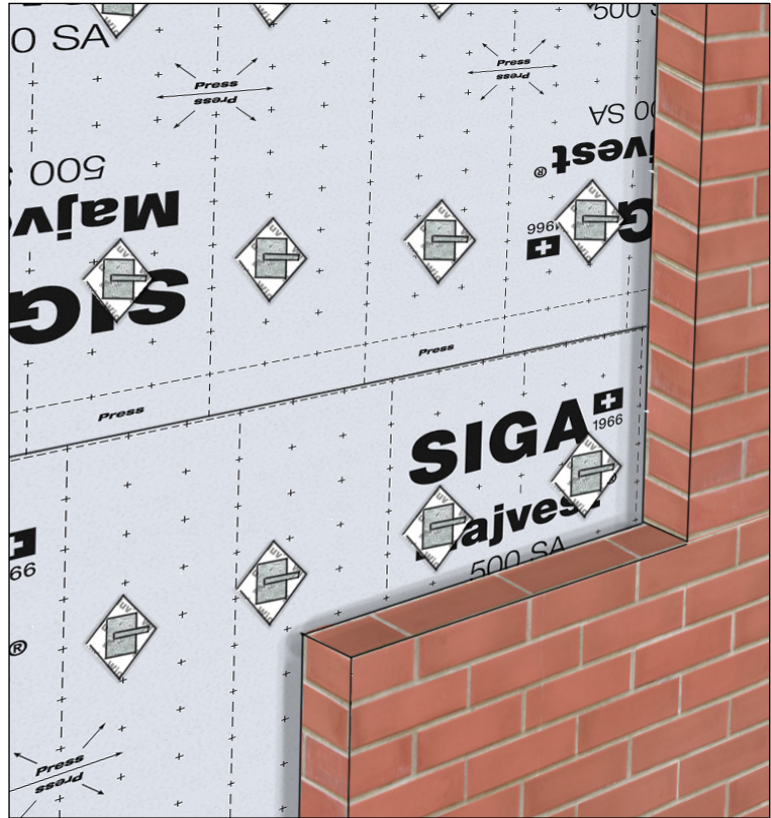


PART 5 Construction Details

5.3.4 Cladding Attachment: Brick Ties

Majvest 500 SA is an abrasion-resistant material with self-sealing properties, treatment of fasteners is not required in all cases. However, reinforcing the contact point of cladding attachments will enhance these characteristics, especially where mechanical strain is applied to the surface.

- Install Wigluv 100 or wider behind each anchor, on a 45° orientation
- Fasteners should always be embedded into structural member
- Ensure contact plate of brick tie is fully bounded within Wigluv patch area

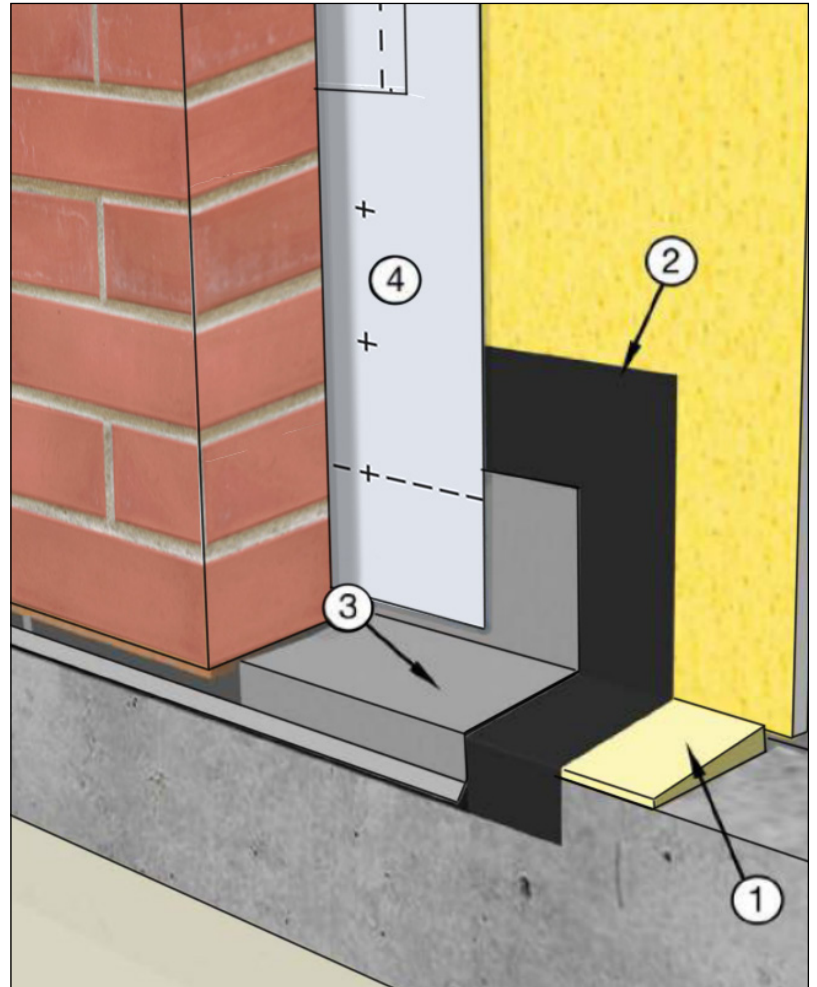


When using absorptive cladding materials like brick, it is essential to design a cavity space for proper moisture management.

PART 5 Construction Details

5.3.5 Base of Wall with Brick Ledge

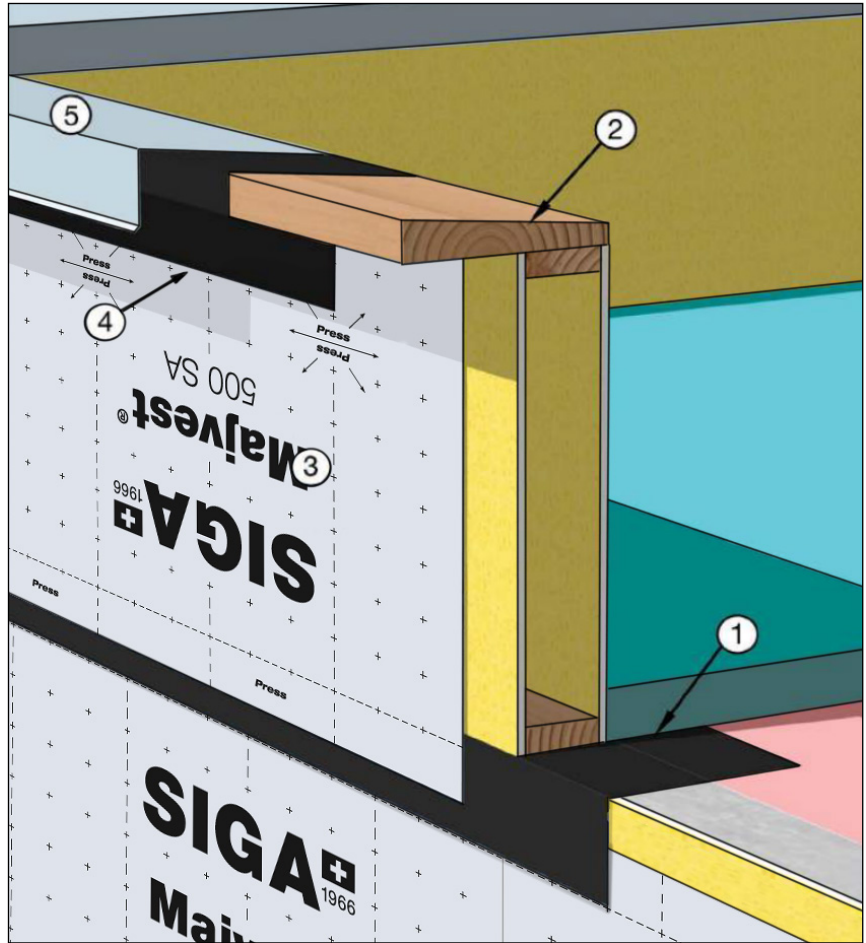
1. Install sloped mortar bed at concrete edge.
 - Minimum 3.5° (6%) slope
 - Allow to cure
2. Apply through-wall flashing (TWF, shown in black) onto sheathing, across mortar bed and onto face of foundation (minimum 2" wide)
3. Install sheet metal flashing
4. Install first course of Majvest 500 SA
 - Overlap both TWF and sheet metal flashing (minimum 2" wide each)
 - Establish starting height of cladding at minimum 6" above grade



PART 5 Construction Details

5.3.6 Parapet

1. Prior to framing parapet, install through-wall flashing (TWF, shown in black) to connect interior air barrier (shown in pink), slab edge and field WRB/AB
2. Frame parapet cap with a minimum 5° (9%) slope
3. Install Majvest 500 SA onto parapet exterior, flush with underside of cap and over TWF below
4. Install hi-temp rated SAM to encapsulate parapet cap
 - Overlap roofing material (inside) and Majvest 500 SA (outside)
 - Ensure substrate compatibility with roofing material
5. Install metal cap flashing per spec

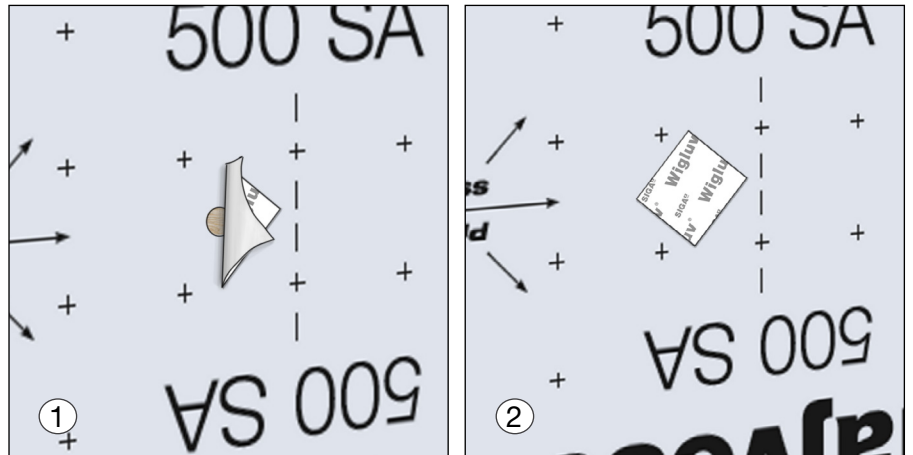


PART 5 Construction Details

5.3.7 Damage Repair

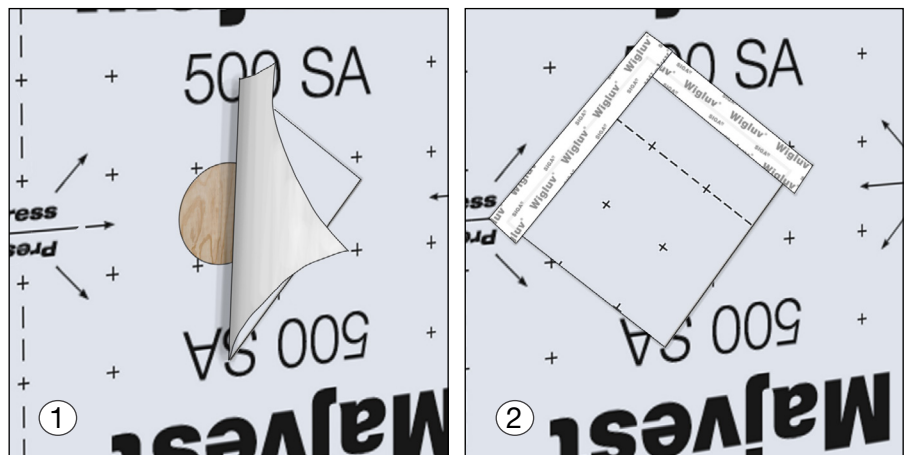
1" or smaller

1. Apply Wigluv to face of Majvest 500 SA, centered over damage
2. Utilize a 'diamond' to aid in water-shedding



Larger than 1"

1. Apply a square piece of Majvest 500 SA to face of field membrane, centered over damage. Utilize a diamond orientation to aid in water-shedding.
2. Seal top edges with Wigluv and rub on well



SIGA Reliability

Product Performance and Limitations

SIGA Cover Inc. (SIGA) products have the properties set forth in the corresponding Technical Data Sheets (available at www.siga.swiss). However, SIGA excludes any liability for processing or use that does not comply with these guidelines, or:

- In case of unusual influences on the product, in particular of chemical or mechanical nature.
- If permanent mechanical strain (e.g. due to tensile and compression forces) has an impact on the seal
- If multi-layered sheeting or paneling materials do not have sufficient cohesive strength..
- In case of open facade cladding with Majvest® 200 or Majvest® 500 SA.
- In case of air-sealing in areas with extraordinary moisture levels (e.g. sauna and swimming pool applications).
- When using Dockskin® 100, if the primed surface is not applied with Majvest® 500 SA, Wigluv®, Rissan® or Fentrim®.
- When the prerequisites for the secure laying of sheeting are not fulfilled. The substructure must be free of any protruding objects which could cause injury, such as screws etc.
- When the prerequisites for reliable sealing are not fulfilled. The substrate must be dry, structurally sound and free of any dirt, grease and debris. It must not be adhesive repellent. Before sealing clean the substrate and sheeting and perform an adhesion test on site.
- If substrates are too loose or not densified enough. Strengthen affected areas with the high-performance primer Dockskin® 100.
- If bonds are made under standing water.
- If creases or tension are not relieved. Cut and reseal in the affected areas.

In the IECC (2018) North America is divided into 8 different climate zones. Accordingly, different zone-related requirements are to be considered regarding the building envelope. For information about climate zones please refer to the International Energy Conservation Code. Consult your planner or building scientist to check whether your planned construction will meet the requirements of the respective climate zone.

Guidelines

These Guidelines can become invalid if new knowledge is acquired or new developments are made. The most up to date version is available at www.siga.swiss. SIGA assumes no liability for the accuracy, completeness or appropriateness of the drawings included in these Guidelines for a specific installation or purpose. Confirm project specific conditions with a local licensed design professional in order to assure compliance with all legal requirements. SIGA is not licensed to provide professional engineering or architectural services.

Technical Product Properties

SIGA high-performance adhesives are free of solvents, VOCs, high boilers, plasticizers, chlorine and formaldehyde. They cannot be removed after application. SIGA adhesives are pressure-activated and require firm installation pressure. Ageing resistant, durable adhesive power. Made without rubber, resins or solvent to prevent embrittlement.

Installation temperature (tapes and membranes): From -10°C / +14°F

Service temperature resistance (tapes): -40°C to +100°C / -40°F to +212°F

Service temperature resistance (membranes): -40°C to +80 °C / -40°F to +176°F

Store SIGA products cool and dry in original packaging. In addition, store Dockskin® 100 frost-free, and Majrex® 200, Majvest®, Majvest® 500 SA, Majvest® 700 SOB away from direct UV exposure. For Dockskin® 100, observe the use-by date.

10-Year Limited Warranty

For complete warranty details consult your local SIGA application advisor or consult the SIGA Limited Warranty Document available at www.siga.swiss.

© Developed and produced by SIGA Cover Inc. All rights reserved.

Product Information

Majvest® 500 SA

Self-Adhered Vapor Permeable Water-Resistive Barrier and Air Barrier Membrane



Microporous PP sheet with full-coverage adhesive on reverse • UV exposure: 6 months (IECC zones 3-8) • 16 US perms • The bond must not be under standing water

- ✓ **high adhesive strength at high and low temperatures**
sticks in all seasons, long-term building value
- ✓ **printed measuring grid**
fast and easy application
- ✓ **tear-resistant release liner with a 50/50 split**
easy to remove, saves time

Product specifications

	Majvest SA 500 60 "	Majvest SA 500 18 "
ARTICLE NO.	8920-152030	8920-046030
PALLET	20 rolls	30 rolls
WIDTH	1.52 m / 60 "	0.45 m / 18 "
LENGTH	30.5 m / 100 '	30.5 m / 100 '
WEIGHT/ROLL	16.7 kg / 36.8 lbs	5.0 kg / 11.0 lbs

Wigluv® 60

Elastic, semi-permeable tape for sealing membrane overlaps and penetrations



Semi-permeable special PO film • UV exposure: 12 months • 1.7 US perms • The bond must not be under standing water

- ✓ **high adhesive strength at high and low temperatures**
reliable, no building damage
- ✓ **vapor semi-permeable 1.7 US perms**
prevents condensation build-up
- ✓ **driving rain-proof and impermeable to bulk water**
permanent protection for roof and facade

Product specifications

	Wigluv 60
ARTICLE NO.	7510-6040
BOX	10 rolls
WIDTH	60 mm / 2.4"
LENGTH	40 m / 131 '

Wigluv® 100/150/230

Low-profile, semi-permeable flashing tape for window and door installation



- ✓ **high adhesive strength at high and low temperatures**
reliable, long-term building value
- ✓ **vapor semi-permeable 1.7 US perms**
prevents condensation build-up
- ✓ **split backing strip**
simple and quick to apply

Semi-permeable special PO film • UV exposure: 12 months • 1.7 US perms • The bond must not be under standing water

Product specifications

	Wigluv 100	Wigluv 150	Wigluv 230
ARTICLE NO.	7510-6040	7510-15025	7510-23025
BOX	6 rolls	4 rolls	2 rolls
WIDTH	100mm / 3.9"	150mm / 5.9"	230mm / 9"
LENGTH	25 m / 82'	25 m / 82'	25 m / 82'

Fentrim® 230 Grey

High-performance tape resistant to driving rain for window and door frames, for outdoor application



- ✓ **high adhesive strength at high and low temperatures**
reliable, long-term building value
- ✓ **5/8" pre-folded, without backing strip**
fastest bonding to window frames
- ✓ **bonding from -10°C / 14°F**
fast and tight window installation all year-round

Semi-permeable special PO film • UV exposure: 4 months (IECC zones 3-8) • 1.7 US perms • The bond must not be under standing water

Product specifications

	Fentrim 230 grey	Fentrim 230 grey	Fentrim 230 grey
ARTICLE NO.	9612-007525.03	9612-010025.03	9612-015025.03
BOX	8 rolls	6 rolls	4 rolls
WIDTH	75 mm / 2.9"	100 mm / 3.9"	150 mm / 5.9"
LENGTH	25 m / 82'	25 m / 82'	25 m / 82'



Water-based, solvent-free acrylate-copolymer dispersion • Shelf life: 18 months from the date of sale if unopened • Clean the brush immediately with water • Keep out of reach of children!

- ✓ **quick drying**
saves time
- ✓ **strong penetration**
extremely good adhesion on soft fibre boards, masonry and concrete
- ✓ **usable on cold substrates from -10° C/14°F**
solvent-free

Product specifications

	Dockskin 100
ARTICLE NO.	5930
BOX	8 bottles
WEIGHT / BOTTLE	1 kg / 2.2 lbs
COVERAGE RATE (AREA)	5 m ² / bottle 54 sq ft / bottle

Go beyond code.



Watch the
Beginner's Guide to
High-Performance
Air Sealing webinar.

<https://go.siga.swiss/beginners-guide-high-performance-air-sealing>



Training

Gain know-how from our experts. SIGA offers job site training and educational workshops to help you achieve your air and weathertightness goals.



Job Site Training

Receive on-site application training and technical support to ensure your SIGA products are installed correctly and fit the unique details of your job.

Visit: https://www.siga.swiss/us_en/training/job-site-training

[Sign up for job site training](https://www.siga.swiss/us_en/training/job-site-training)



Educational workshops

Get your learn on by attending one of our air and weathertight education lessons. Workshops span from AIA and CPD-accredited lunch and learns to detailed application training.

Visit: https://www.siga.swiss/us_en/training/educational-workshops

[Sign up for an educational workshop](https://www.siga.swiss/us_en/training/educational-workshops)

Stick with us.

SIGA Cover Inc.
855-773-7442
americas@sigaswiss

[sigaswiss](https://www.sigaswiss.com)

KM SKU
July 2020 Edition