



THE INSTALLATION GUIDE

SOUDAFRAME SWI



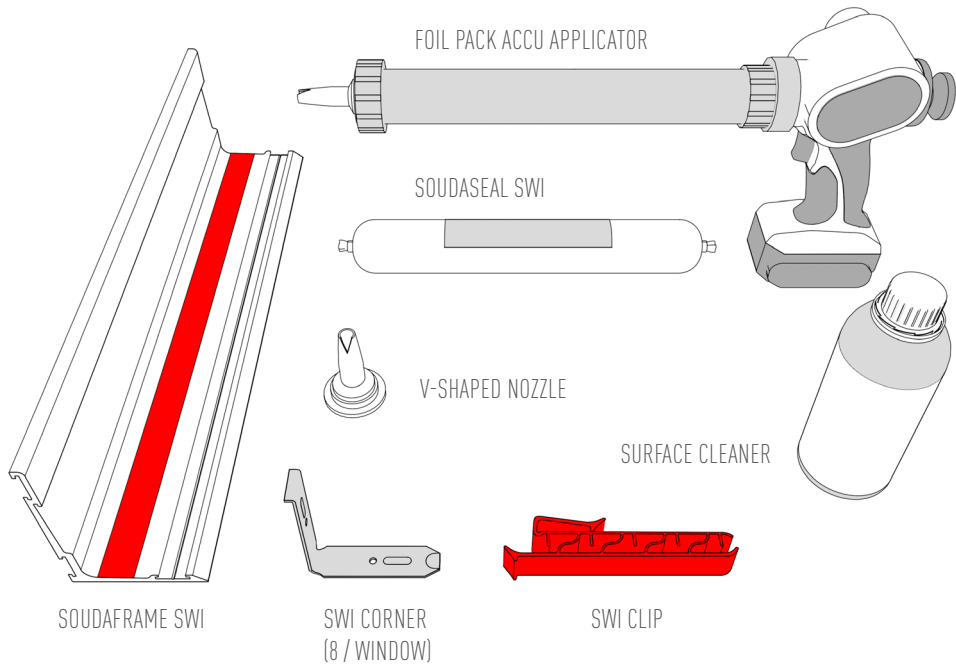
PLANNING, INSTALLATION AND SEALING
Easier, faster and safer!



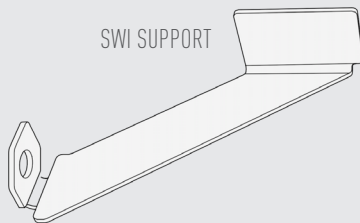
SWI **SOUDAFRAME**



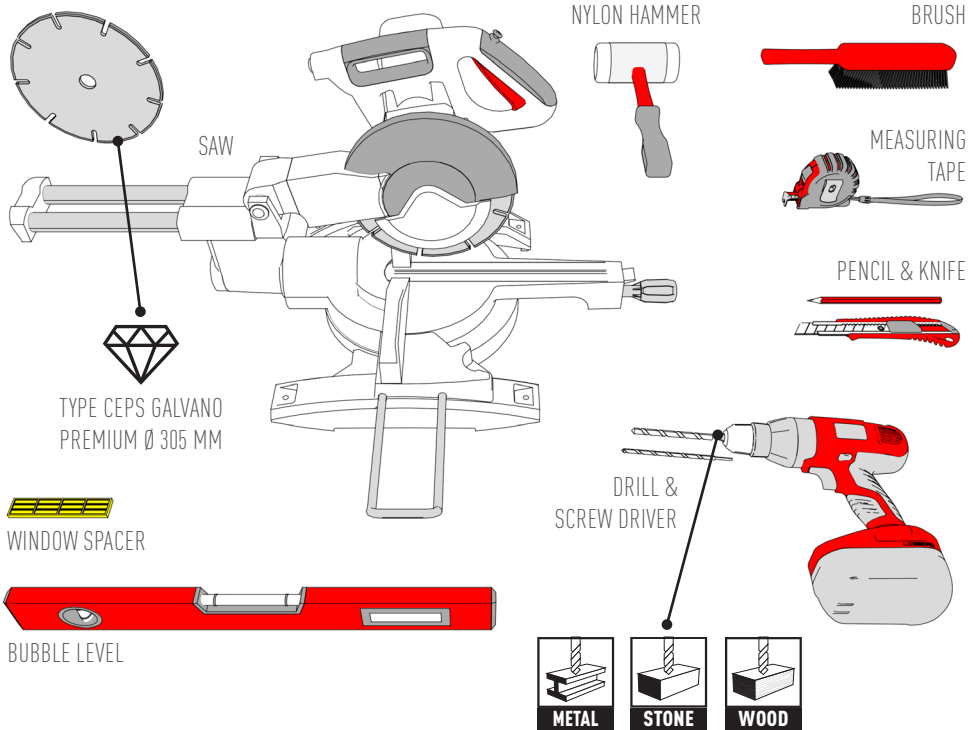
SOUDAL PRODUCTS



OPTIONAL



TOOLS



SCREWS*

SWI CORNER SCREWS



**FISCHER REFERENCE:
OR EQUIVALENT**

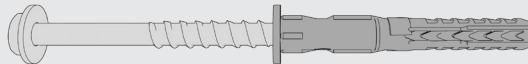
FPS-FPB 4,2 X 13 ZPF 1000

WINDOW FIXING SCREWS



FFSZ 7.5 X 132 T30

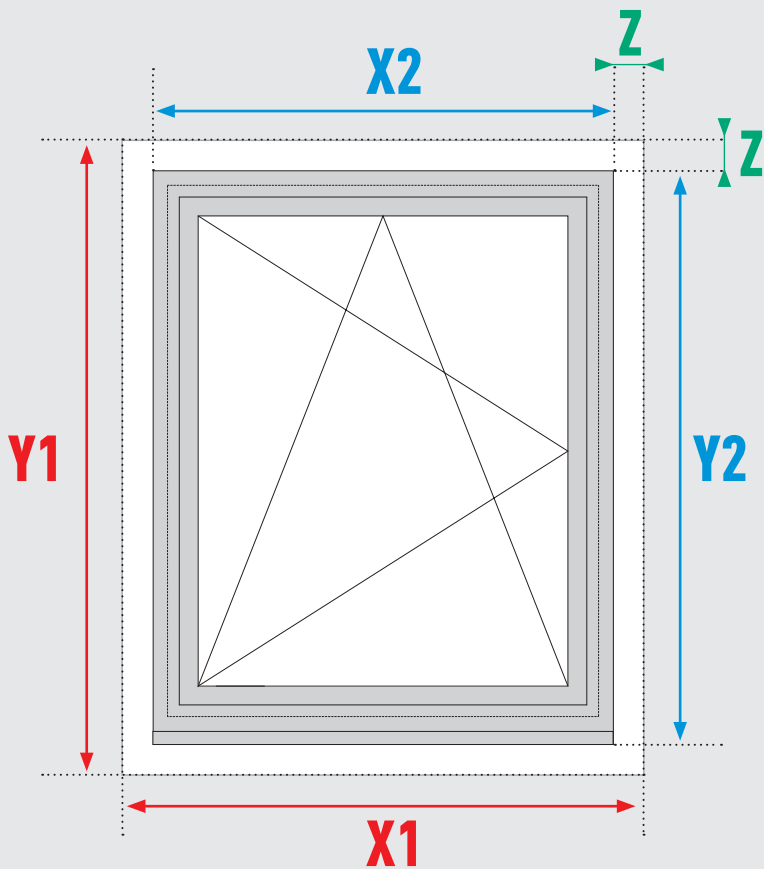
FRAME FIXING SCREWS



SXR 10 X 80 FUS

*Please follow the current installation instructions from the window/screw manufacturer to select the correct screws.

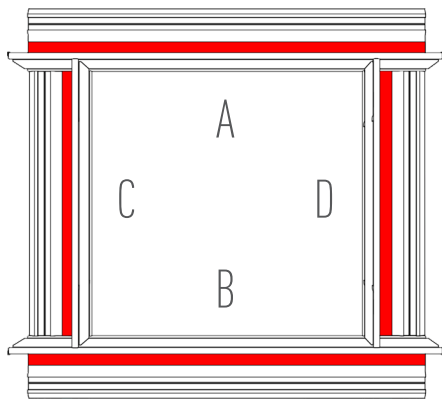
TAKE MEASUREMENTS



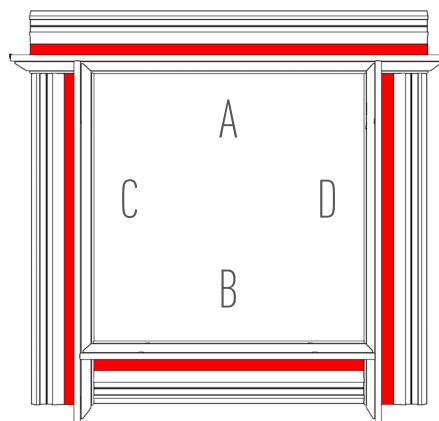
WALL OPENING = X1 x Y1
WINDOW SIZE = X2 x Y2
JOINT = Z = 15 à 18 mm

CALCULATE

VARIANT 1



VARIANT 2



OPTION 1 : START FROM WALL OPENING

$$A = B = X1 + 190 \text{ mm}$$
$$C = D = Y1$$

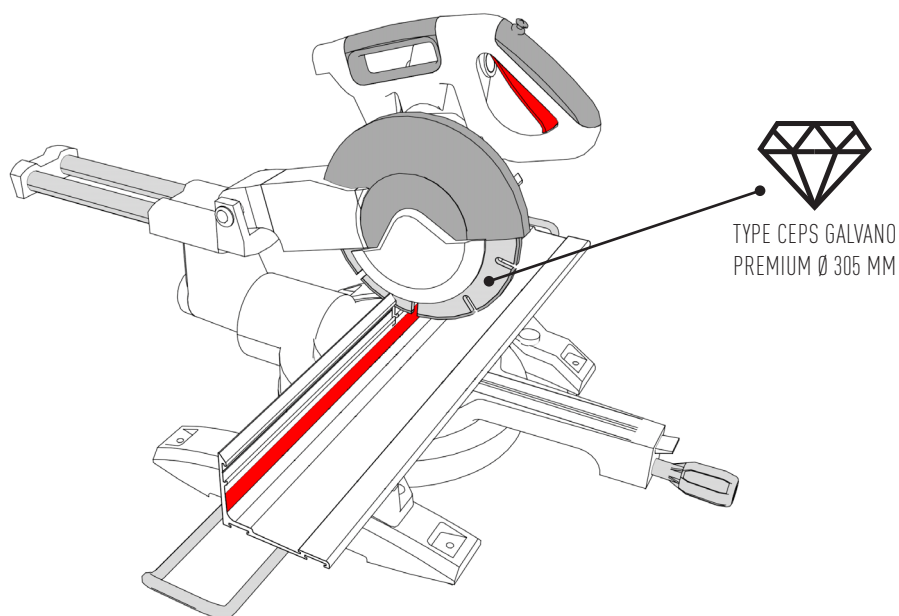
$$A = X1 + 190 \text{ mm}$$
$$B = X1$$
$$C = D = Y1 + 95 \text{ mm}$$

OPTION 2 : START FROM WINDOW SIZE

$$A = B = X2 + (2 \times Z) + 190 \text{ mm}$$
$$C = D = Y2 + (2 \times Z)$$

$$A = X2 + (2 \times Z) + 190 \text{ mm}$$
$$B = X2 + (2 \times Z)$$
$$C = D = Y2 + 95 \text{ mm}$$

CUT TO SIZE



PERSONAL PROTECTIVE EQUIPMENT



SAFETY GLASSES



RESPIRATOR



HEARING PROTECTION



GLOVES



VENTILATED AREA

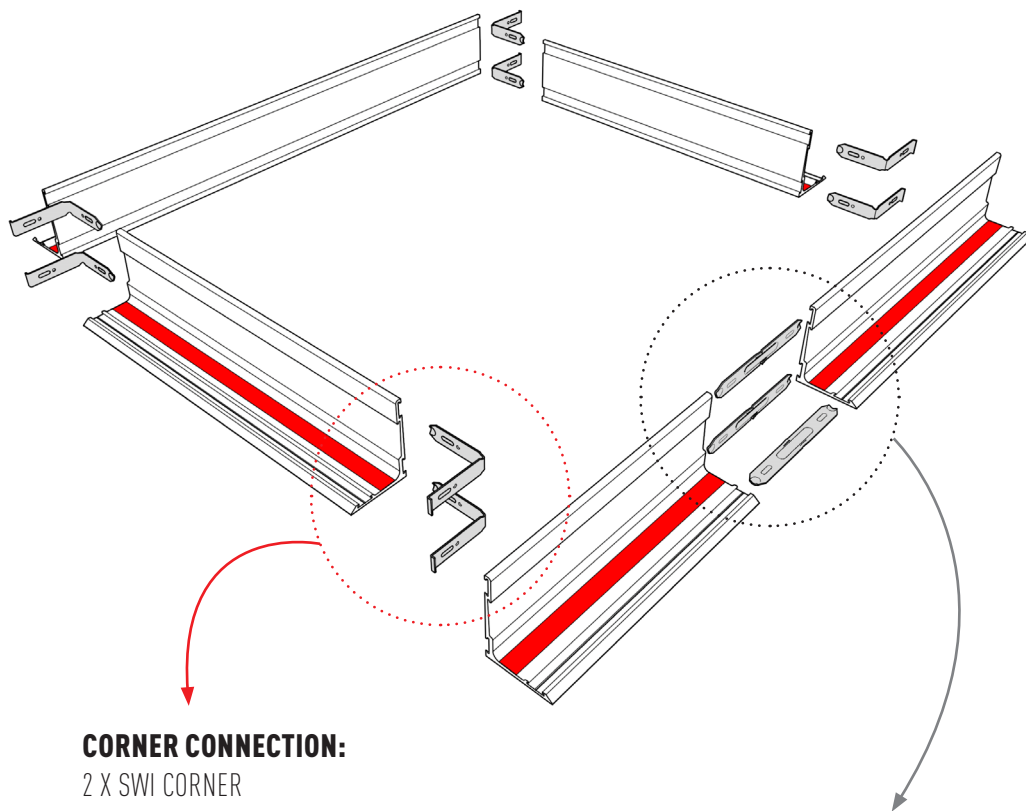


DUST EXTRACTION

PLUG IN CONNECTORS



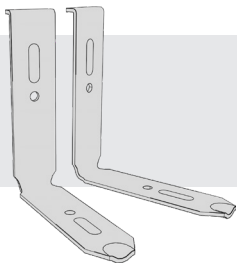
FLAT SURFACE



CORNER CONNECTION:
2 X SWI CORNER

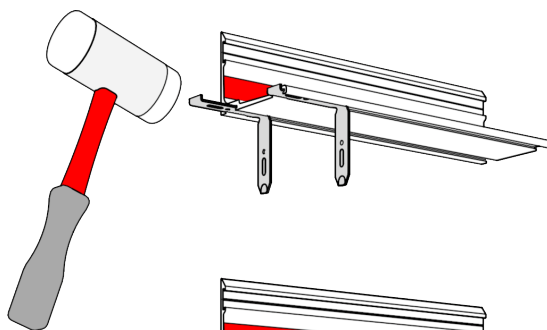
OPTIONAL / **EXTENSION:**
3 X SWI LINK

CORNER CONNECTION

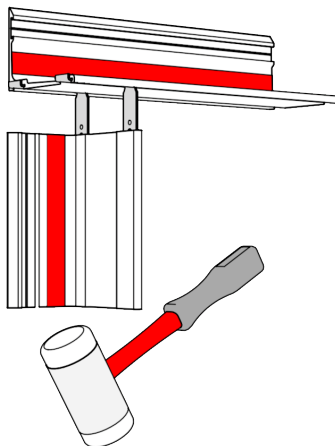


2 X SWI CORNER

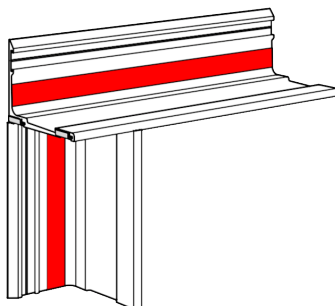
STEP 1



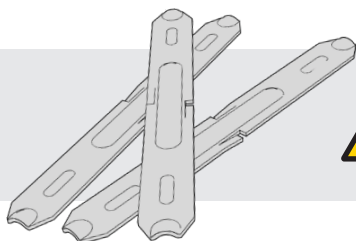
STEP 2



STEP 3

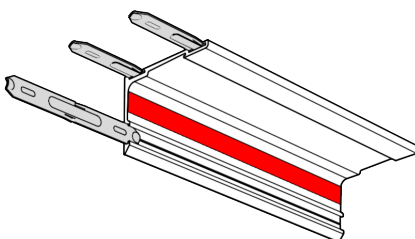
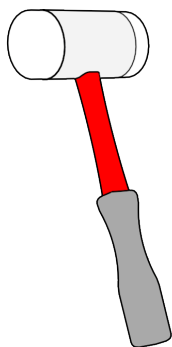


EXTENSION (OPTIONAL)

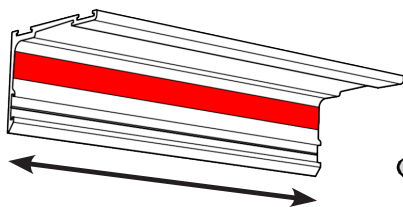


3 X SWI LINK

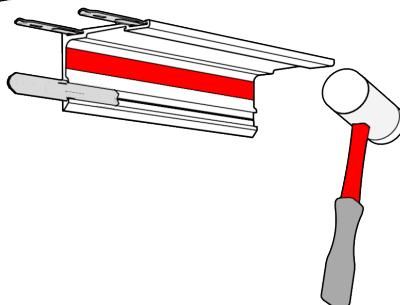
STEP 1



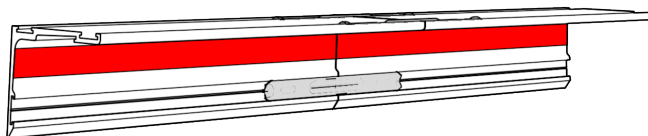
STEP 2



> 40CM



STEP 3

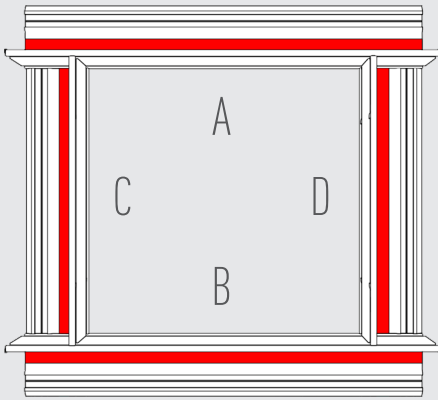


ASSEMBLE FRAME

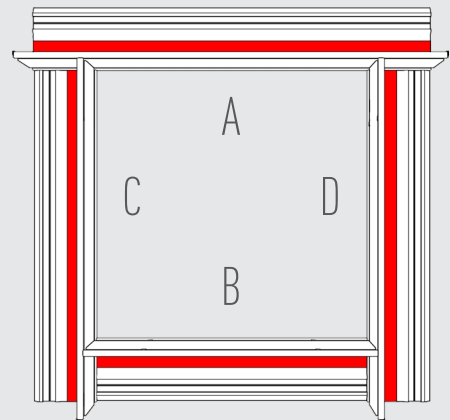


FLAT SURFACE

VARIANT 1

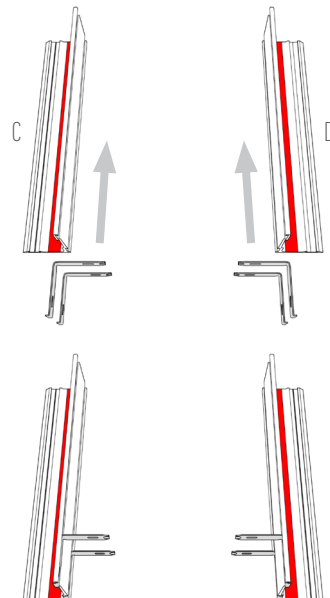
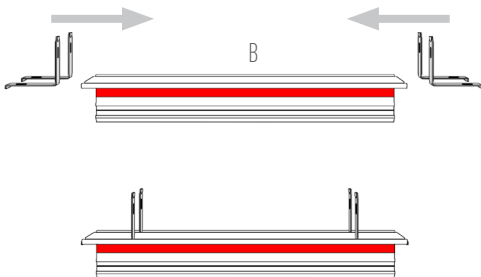


VARIANT 2



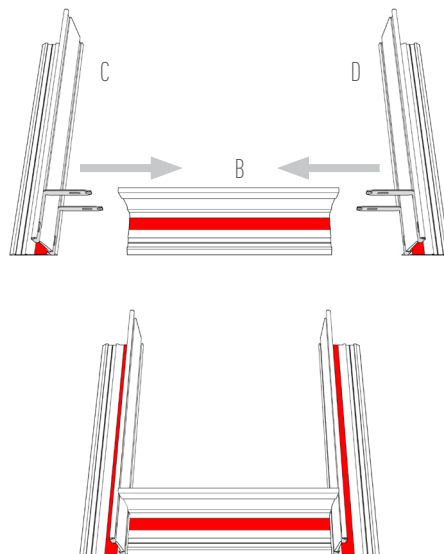
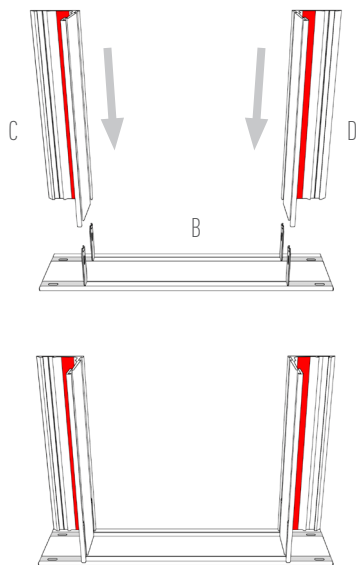
STEP 1

4 X SWI CORNER



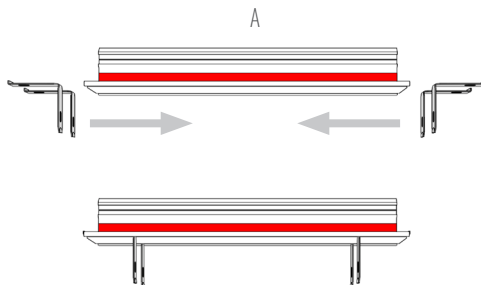
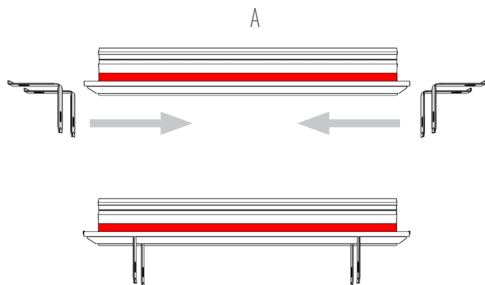
ASSEMBLE FRAME

STEP 2



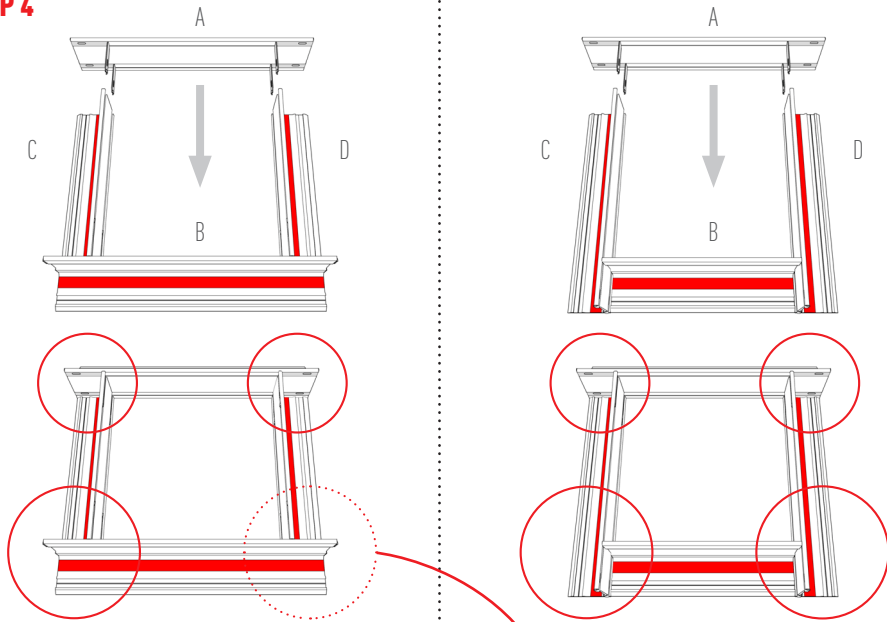
STEP 3

4 X SWI CORNER



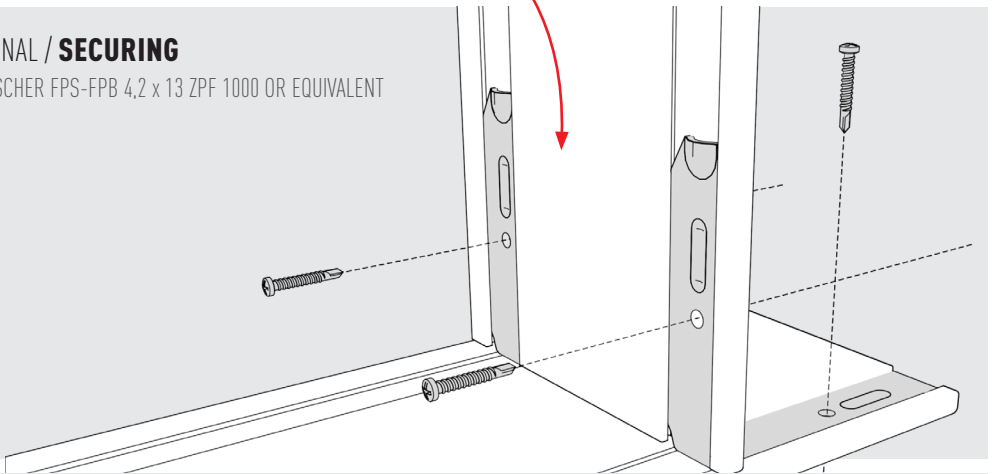
ASSEMBLE FRAME

STEP 4



OPTIONAL / **SECURING**

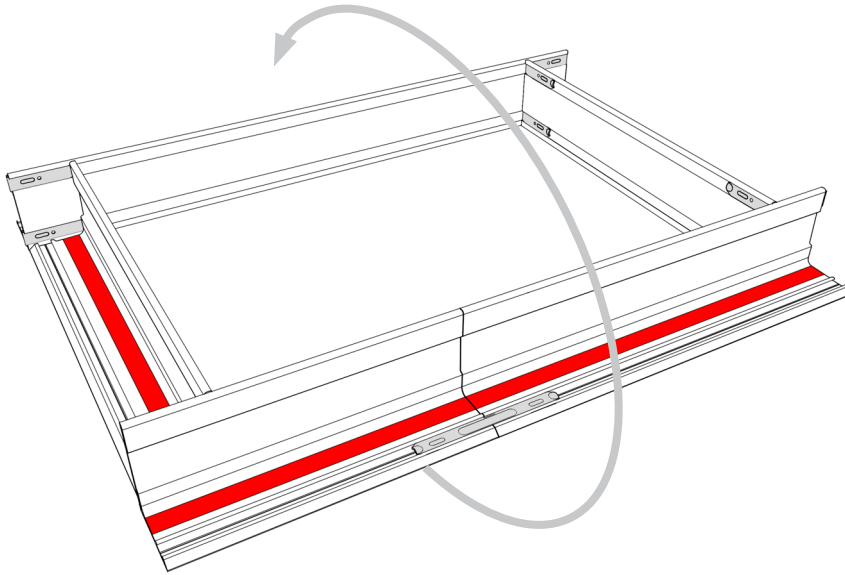
USE FISCHER FPS-FPB 4,2 x 13 ZPF 1000 OR EQUIVALENT



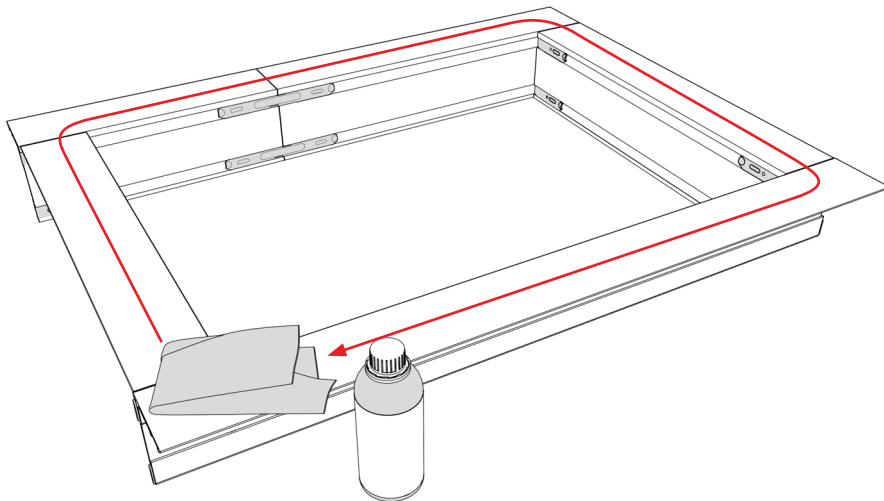
RC2 & RC3: MANDATORY TO SECURE THE 4 CORNERS WITH SCREWS (CFR. ANNEX 1)

CLEAN

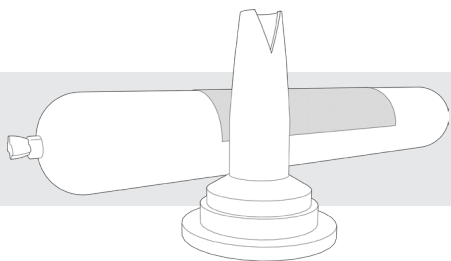
FLIP



CLEAN WITH SOUDAL SURFACE CLEANER

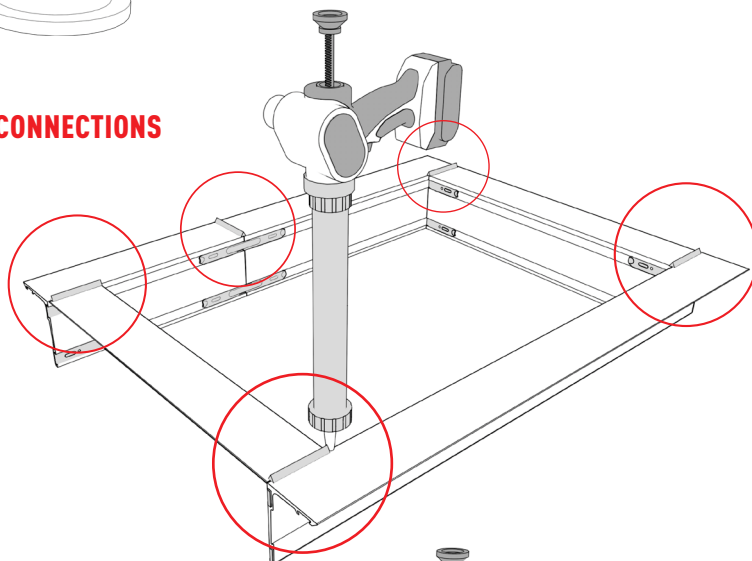


APPLY SOUDASEAL SWI

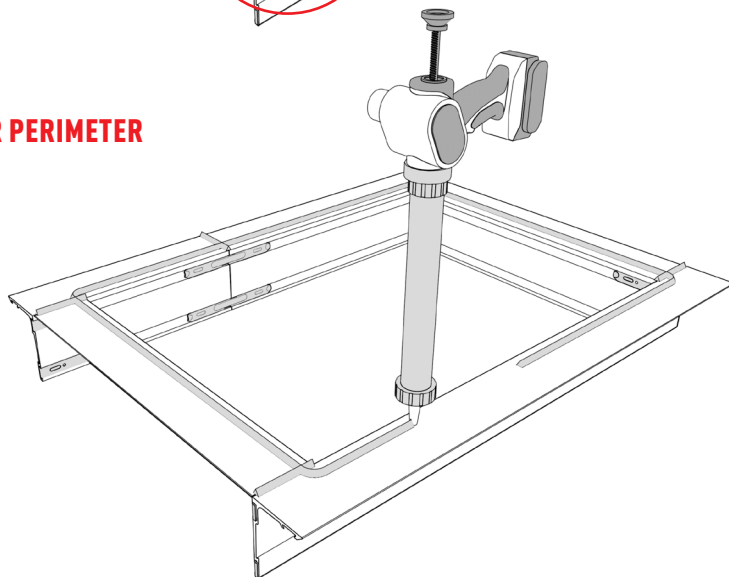


ONLY USE SOUDASEAL SWI + V-NOZZLE
1 FOILBAG = 7 m = 3,5 m FRAME

STEP 1 : ALL CONNECTIONS

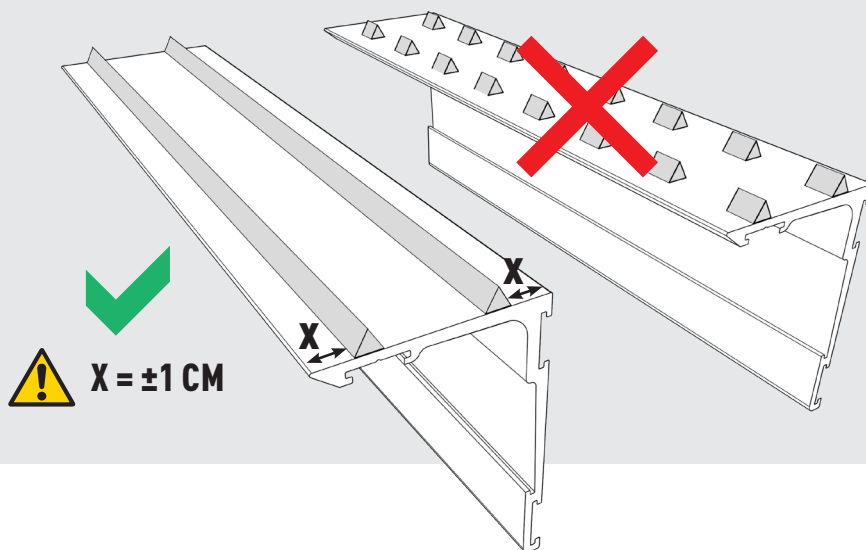
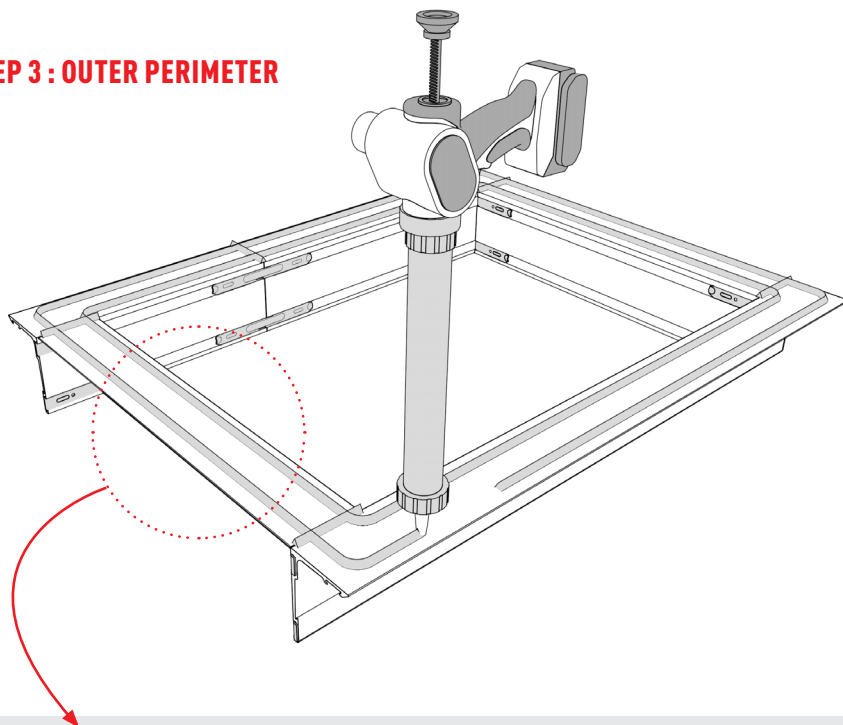


STEP 2 : INNER PERIMETER

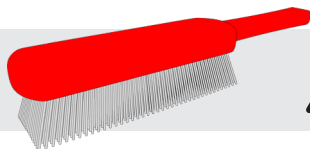


APPLY SOUDASEAL SWI

STEP 3 : OUTER PERIMETER

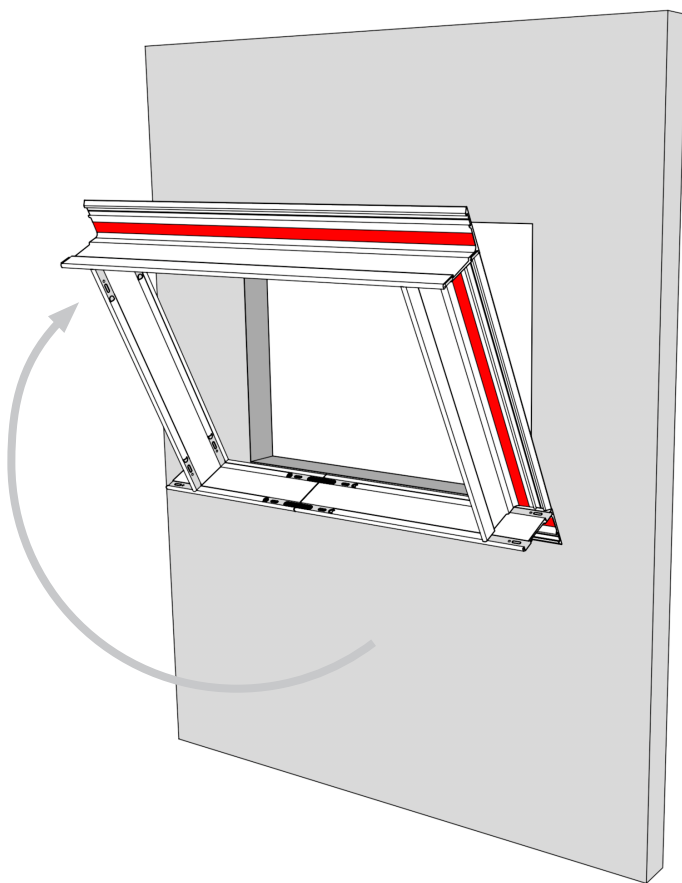


MOUNTING



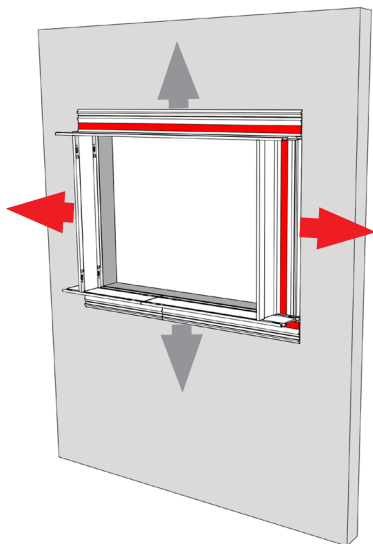
CLEAN WALL

STEP 1 : PLACE THE FRAME AGAINST THE WALL AND PRESS WELL

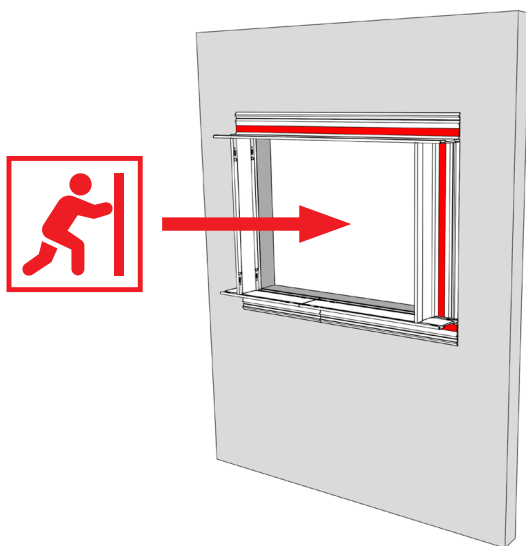


MOUNTING

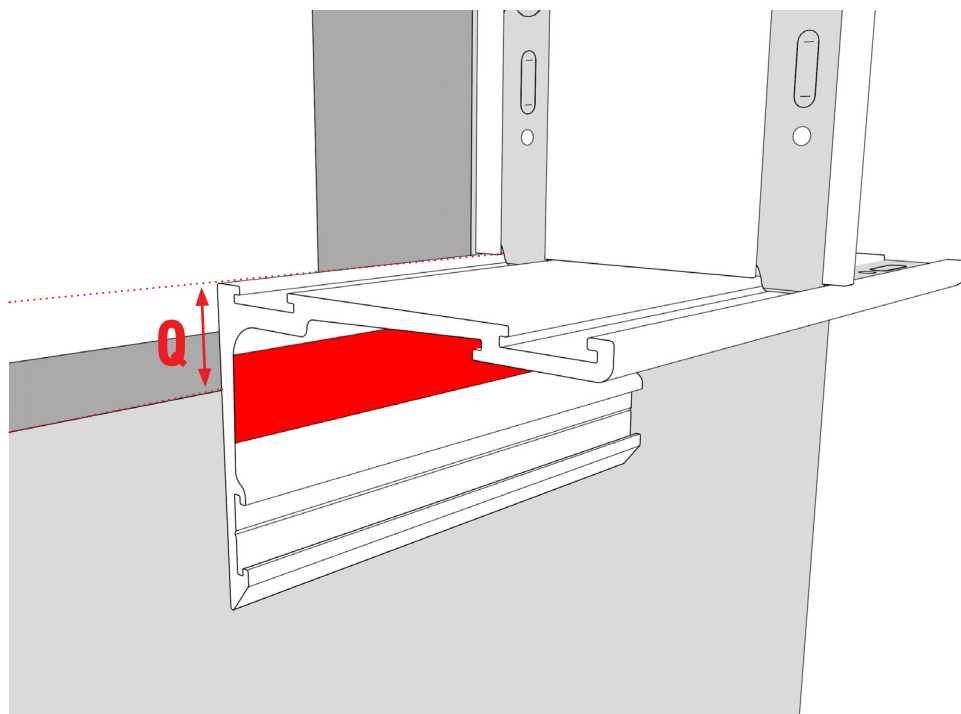
STEP 2 : SLIDE BACK AND FORTH AND UP AND DOWN TO DISTRIBUTE THE ADHESIVE



STEP 3 : PRESS FIRMLY



MOUNTING / ALIGNMENT



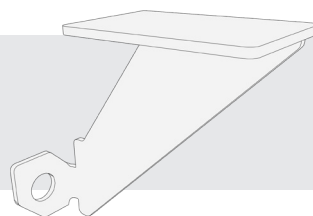
$Q \leq 0.5 \text{ CM}$



$0.5 \text{ CM} < Q \leq 2 \text{ CM}$
 $2 \text{ CM} < Q \leq 4 \text{ CM}$



USE SUPPORT
USE SUPPORT
AND LOWER MAX LOAD WITH 25%



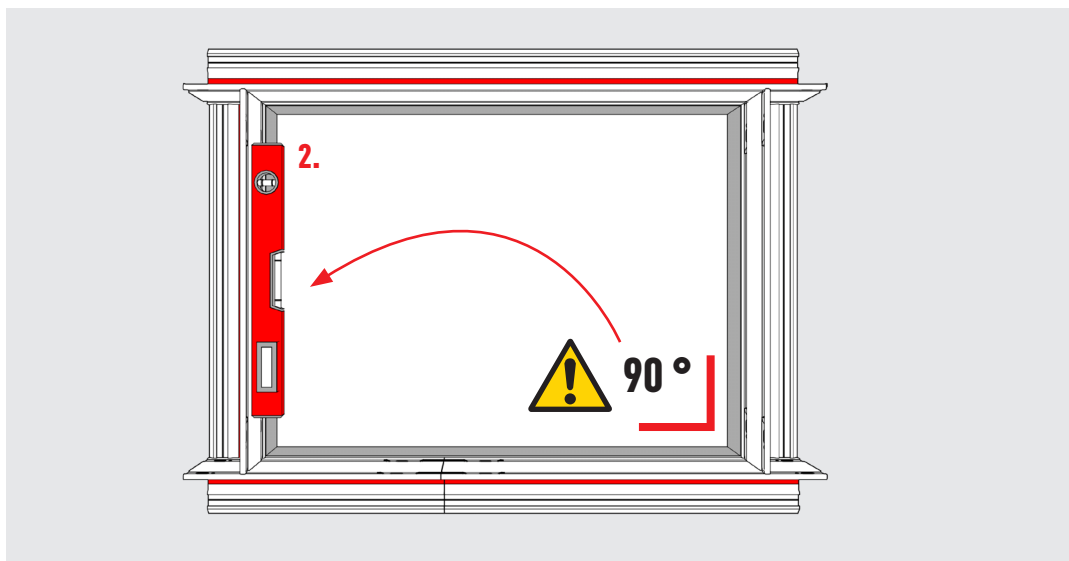
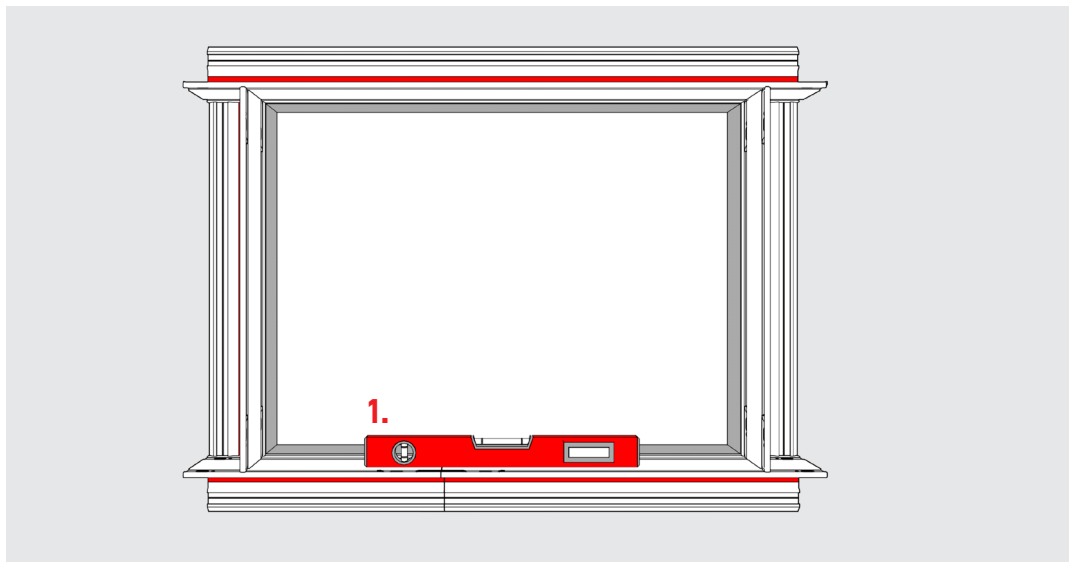
$Q > 4 \text{ CM}$



MAKE NEW FRAME

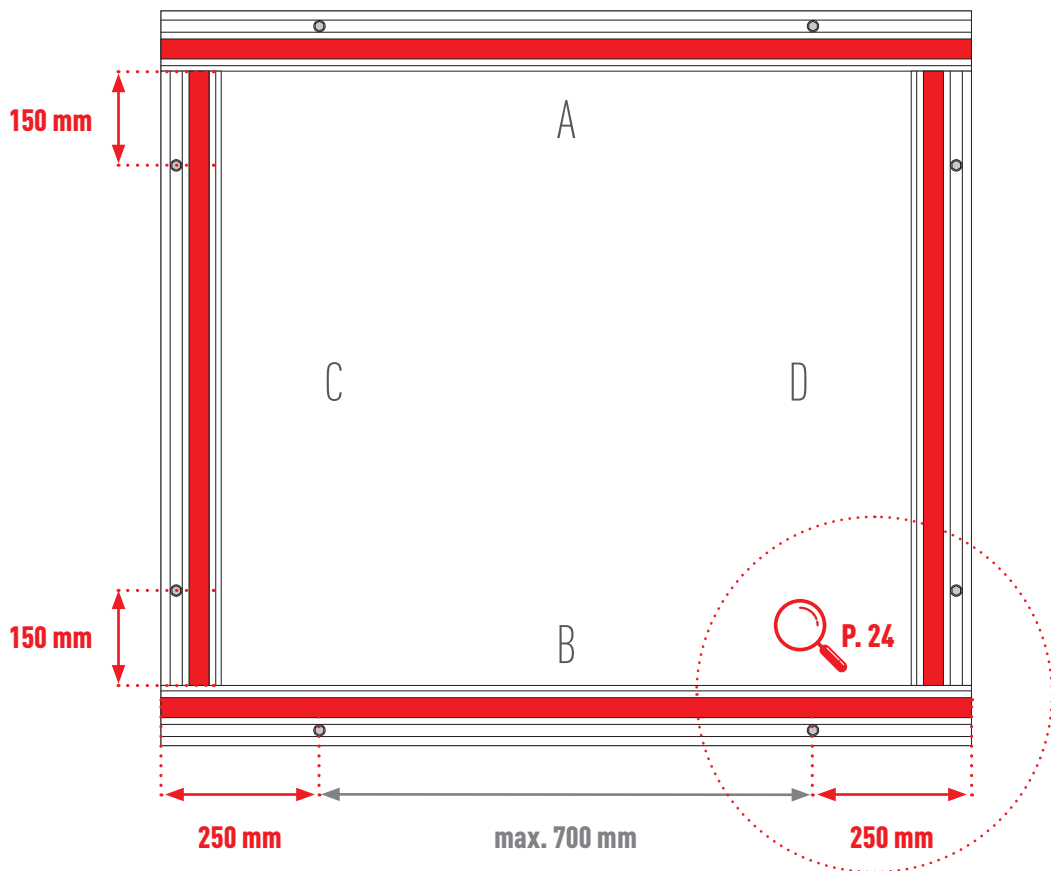
MOUNTING / ALIGNMENT

STEP 4 : LEVEL AND SQUARE THE FRAME



FIXING FRAME

STEP 1 : MEASURE



**A, B, C, D : AT LEAST 2 FRAME FIXING SCREWS/ELEMENT
EXTRA FOR B : MAX. 700 MM BETWEEN FRAME FIXING SCREWS**



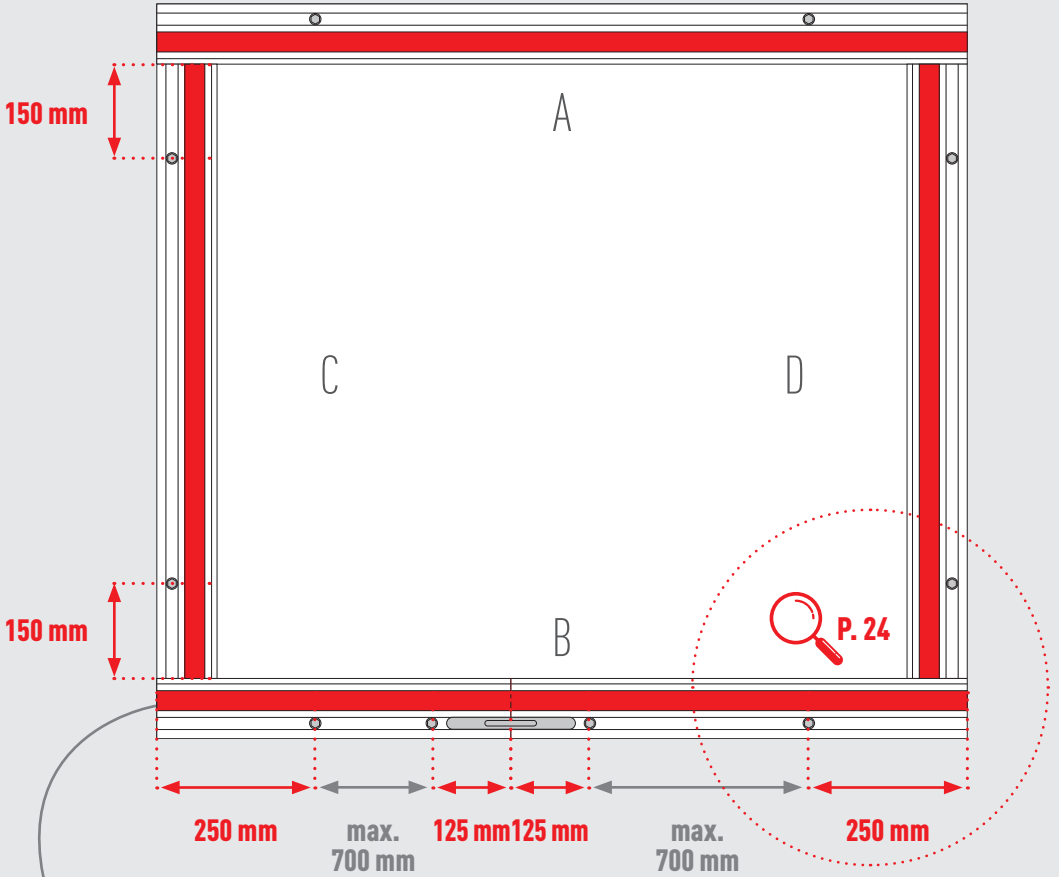
RC2 & RC3* : MAX 700 MM BETWEEN ALL FRAME FIXING SCREWS (CFR. ANNEX 1)

***FOR RC3: WINDOW SIZE \leq 800 X 800 MM \rightarrow MANDATORY USE OF SUPPORTS**

FIXING FRAME



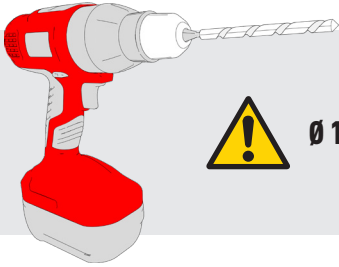
EXTENSION : AT LEAST 2 FRAME FIXING SCREWS/ELEMENT



MEASURING AID: 50 MM MARKINGS

FIXING FRAME

STEP 2 : DRILL HOLES*

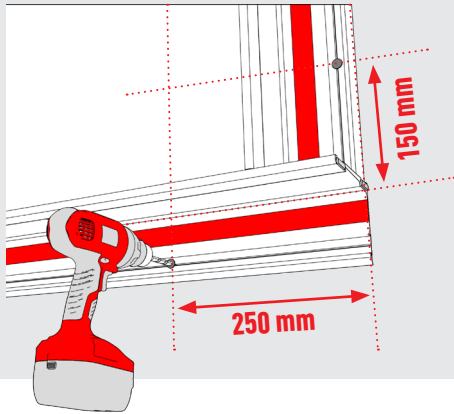


Ø 10 MM DRILL

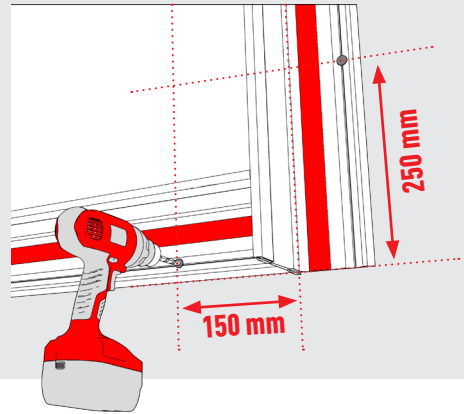


*For wooden substrates: pre-drill the frame with a metal drill bit and then use a wood drill bit

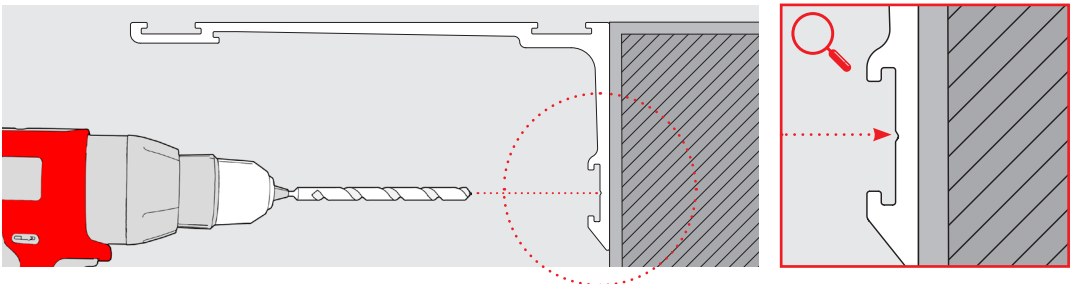
VARIANT 1



VARIANT 2

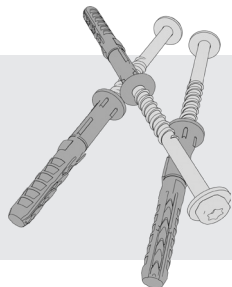


DRILL INTO THE SLOT!



FIXING FRAME

STEP 3 : PLACE FRAME FIXING SCREWS **



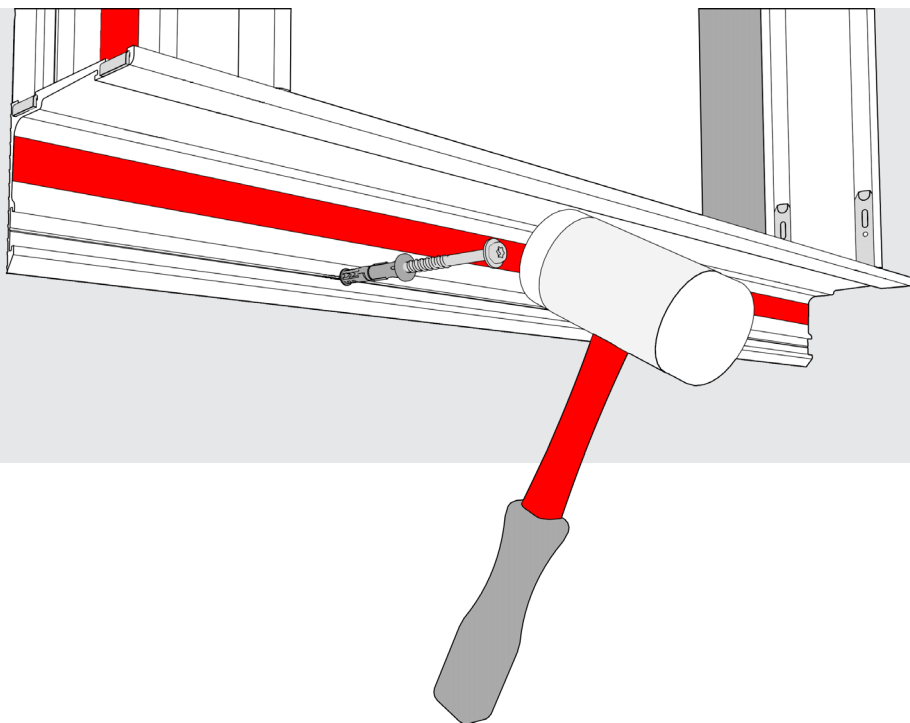
MINERAL SUBSTRATES:

USE FISCHER SXR 10 X 80 FUS OR EQUIVALENT

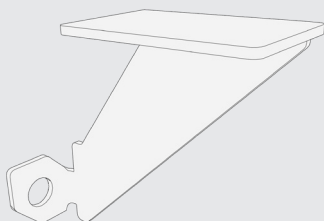
WOOD:

USE SFS HT-T-FH-FT-10X80 OR EQUIVALENT

**Please follow the current installation instructions from the screw manufacturer to select the correct frame fixing screw.



SUPPORTS / MAX LOAD



	MAX LOAD	
	STANDARD (NO SUPPORT)	WITH 2 SUPPORTS / m
T90	787 kg/m	-
T130	222 kg/m	629 kg/m
T160	130 kg/m	500 kg/m
T200	61 kg/m	375 kg/m

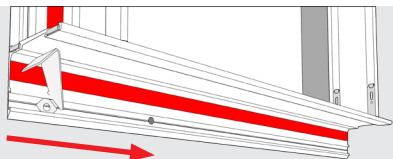


1 EXTRA SUPPORT / m
= + 50 kg/m

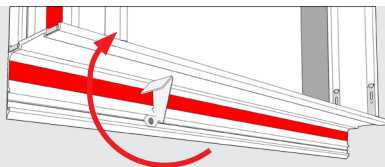


FALL PROTECTION/GUARDING REQUIRED?
→ **USE SUPPORT** (CFR. ANNEX 2)

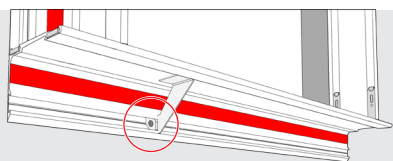
STEP 1 : SLIDE



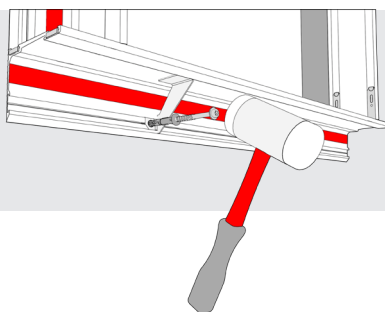
STEP 2 : TURN



STEP 3 : ALIGN

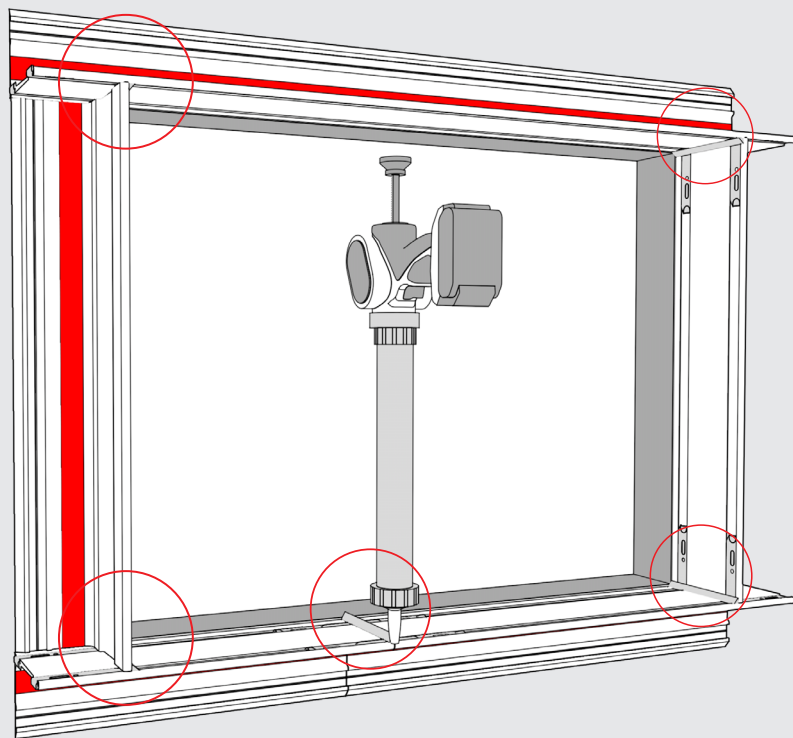


STEP 4 : PLACE FRAME FIXING SCREWS

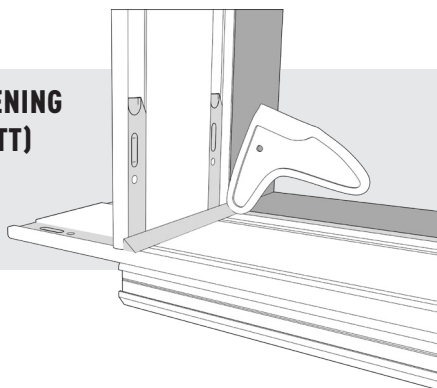


APPLY SOUDASEAL SWI

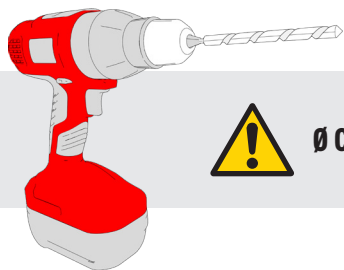
SEAL ALL INTERNAL CORNERS & CONNECTIONS



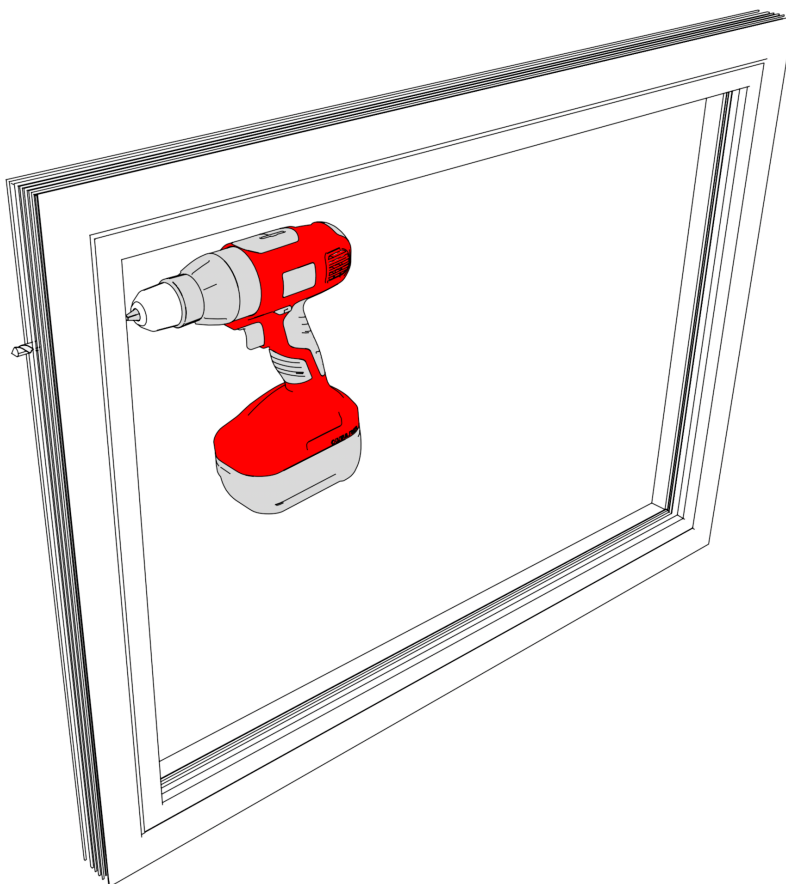
**USE A JOINT SMOOTHENING
TOOL (E.G. SOUDAGLATT)
FOR BETTER RESULTS**



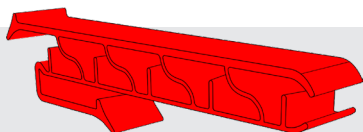
DRILL HOLES IN WINDOW FRAME



Ø COMPLIANT WITH THE SCREW



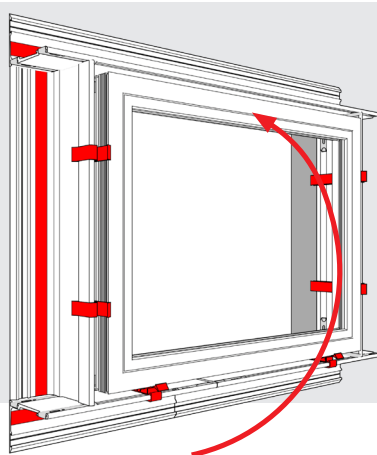
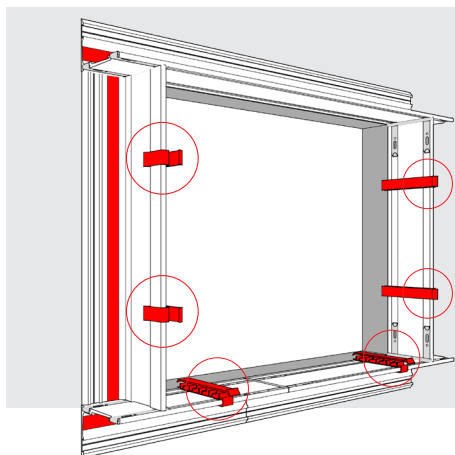
PLACE THE WINDOW FRAME



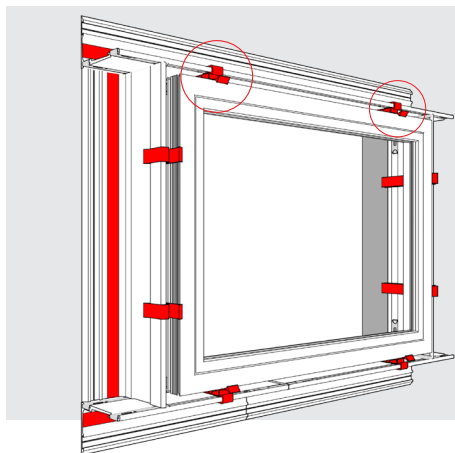
USE SWI CLIPS

STEP 1 : SLIDE SWI CLIPS ONTO FRAME

STEP 2 : PLACE THE WINDOW

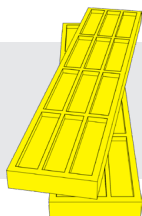


STEP 3 : SLIDE ON THE REMAINING CLIPS



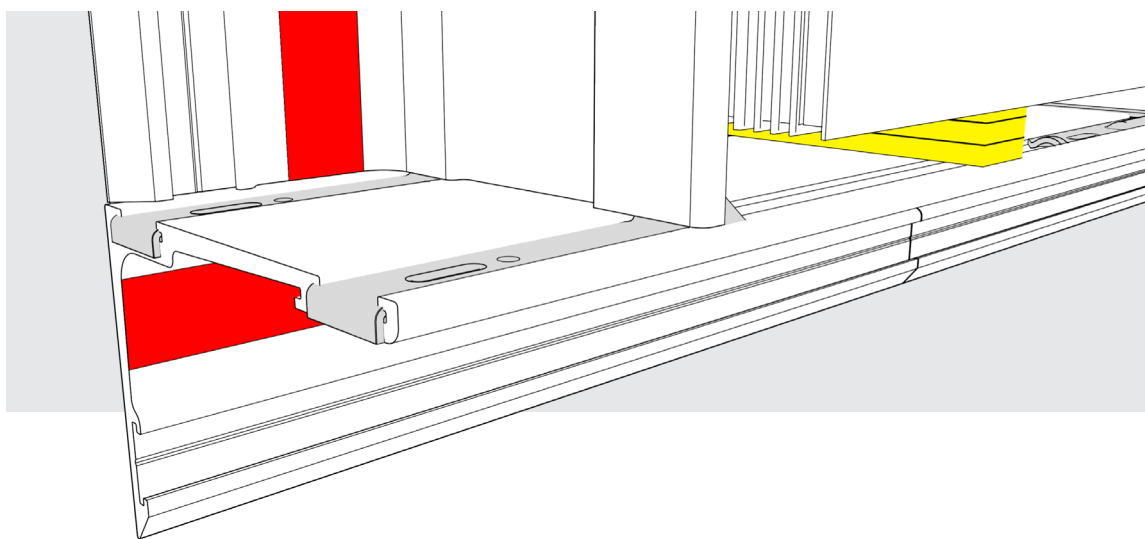
PLACE THE WINDOW FRAME

STEP 4 : PLACE SPACERS*



USE WINDOW SPACERS

*Please follow the current regulations/guidelines corresponding to your country as well as the installation instructions from the window manufacturer for the use and the amount of distance- and support spacers

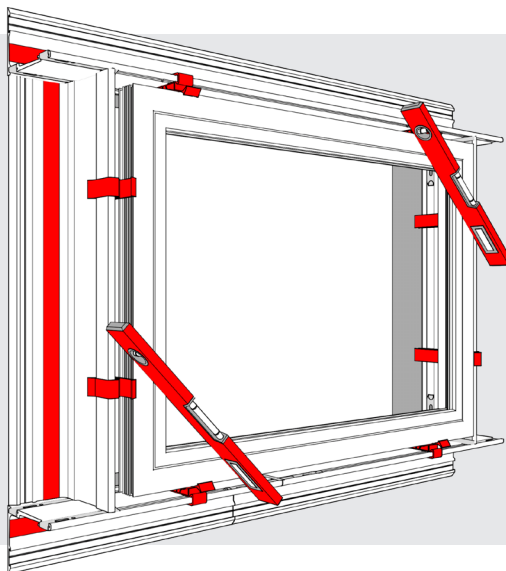


RC2 & RC3 : MANDATORY USE OF PRESSURE-RESISTANT WINDOW SPACERS (CFR. ANNEX 1)

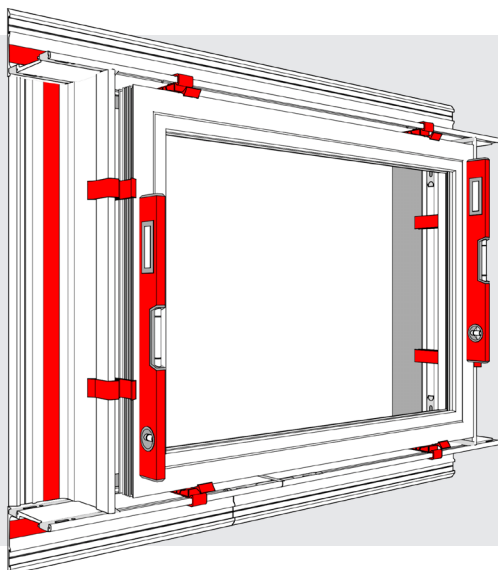
FIXATE THE WINDOW

STEP 1 : ALIGN THE WINDOW

1.

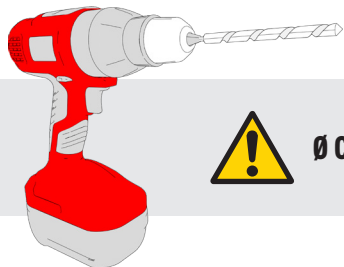


2.

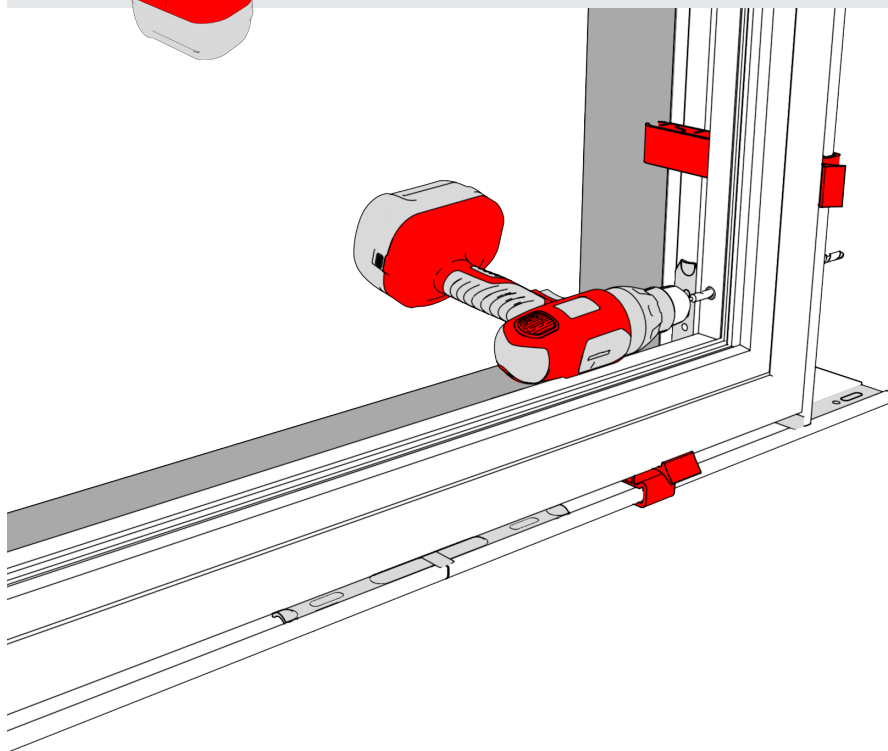


FIXATE THE WINDOW

STEP 2 : PRE-DRILL SOUDAFRAME

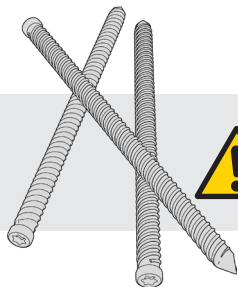


Ø COMPLIANT WITH THE SCREW



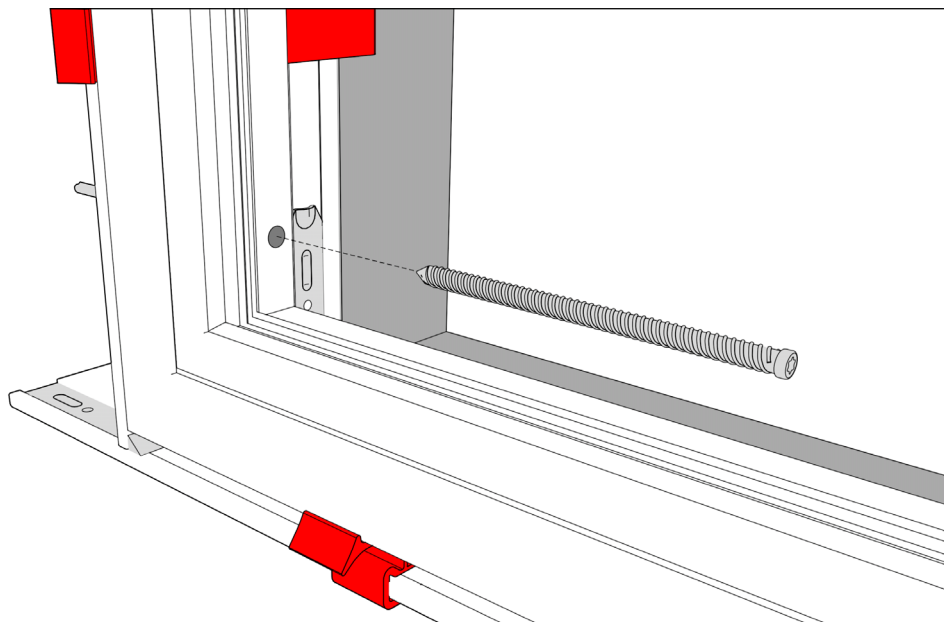
FIXATE THE WINDOW

STEP 3 : PLACE WINDOW FIXING SCREWS*



USE FISCHER FFSZ 7.5 X 132 T30 OR EQUIVALENT

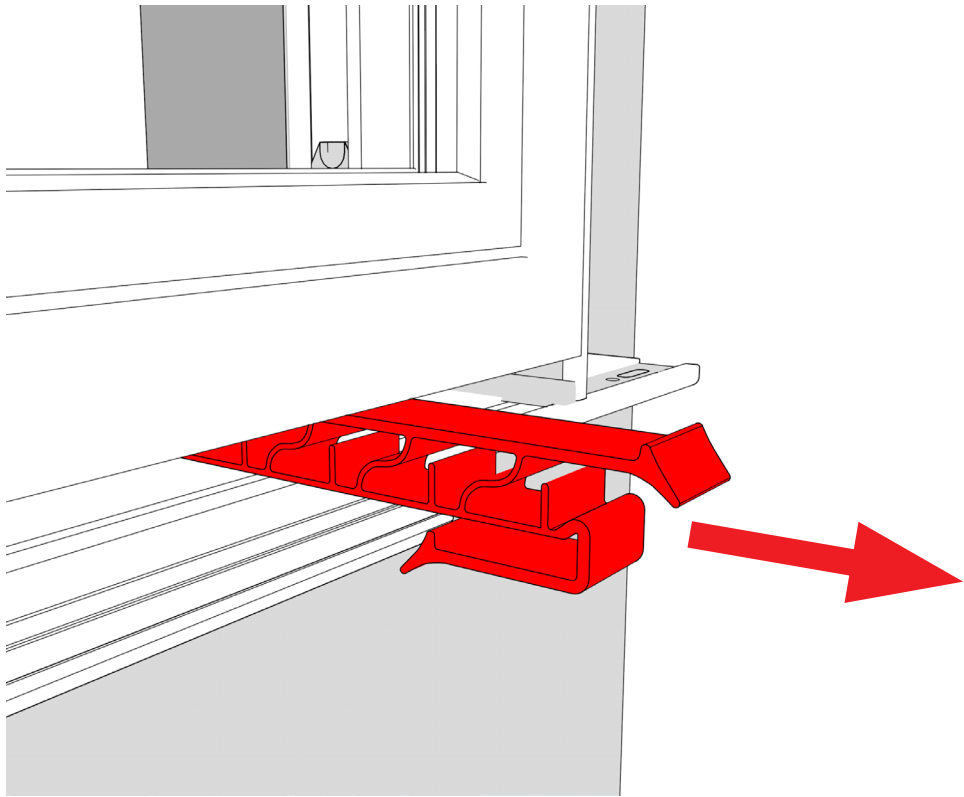
* Please follow the current installation instructions of the window manufacturer for the correct type, the amount and the location of the window fixing screws.



RC2 & RC3: PLEASE CONSULT ANNEX 1

Note: If the forces acting on a fixing point exceed its load-bearing capacity, it is possible to divide this up by means of a group fixation, e.g. double/corner fixation. (cfr. RAL-guidelines)

REMOVE CLIPS



**REMOVE THE CLIPS AND
USE THEM AGAIN FOR THE NEXT WINDOW / PROJECT !**

SEAL THE WINDOW



SOUDAFRAME ^{SWI}

MATERIAL	MATERIAL DESCRIPTION
137368	SOUDAFRAME SWI 90 (220 CM)
137367	SOUDAFRAME SWI 130 (220 CM)
137366	SOUDAFRAME SWI 160 (220 CM)
137362	SOUDAFRAME SWI 200 (220 CM)
137363	SOUDAFRAME SWI CLIP
137364	SOUDAFRAME SWI LINK
137365	SOUDAFRAME SWI CORNER
144883	SOUDAFRAME SWI SUPPORT 130
144882	SOUDAFRAME SWI SUPPORT 160
144881	SOUDAFRAME SWI SUPPORT 200
137004	SOUDASEAL SWI
113509	SOUDAGLATT
121921	PANASONIC APPLICATOR 600ML 14,4V LI-ION
107789	SURFACE CLEANER

ANNEX 1: BURGLAR PROOF WINDOW INSTALLATION



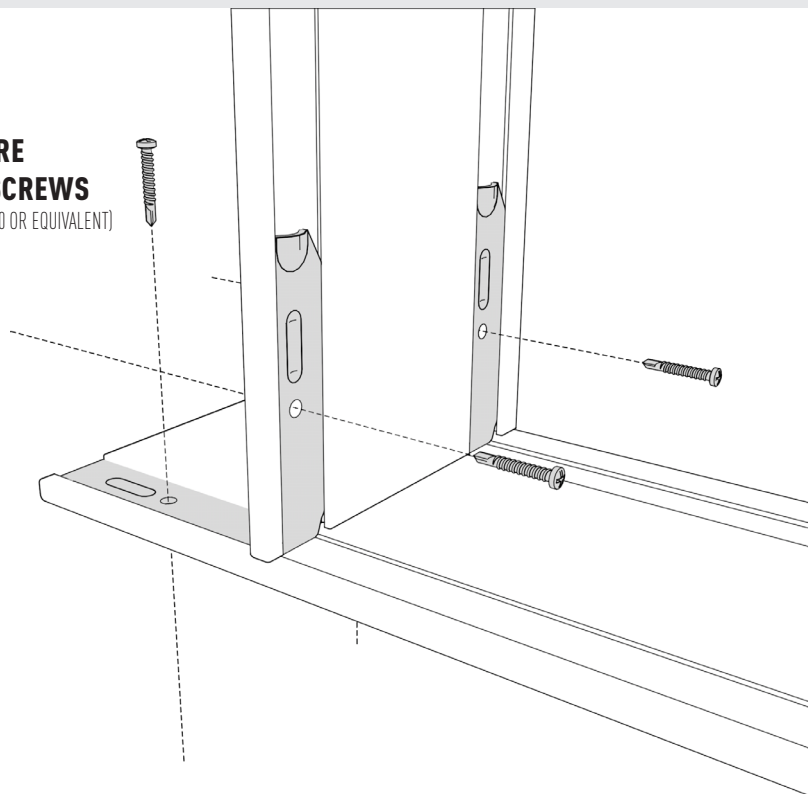
RC2 OR RC3 REQUIRED?

→ FOLLOW THESE ADDITIONAL MANDATORY RULES!

ASSEMBLE FRAME :

MANDATORY TO SECURE EACH CORNER WITH SCREWS

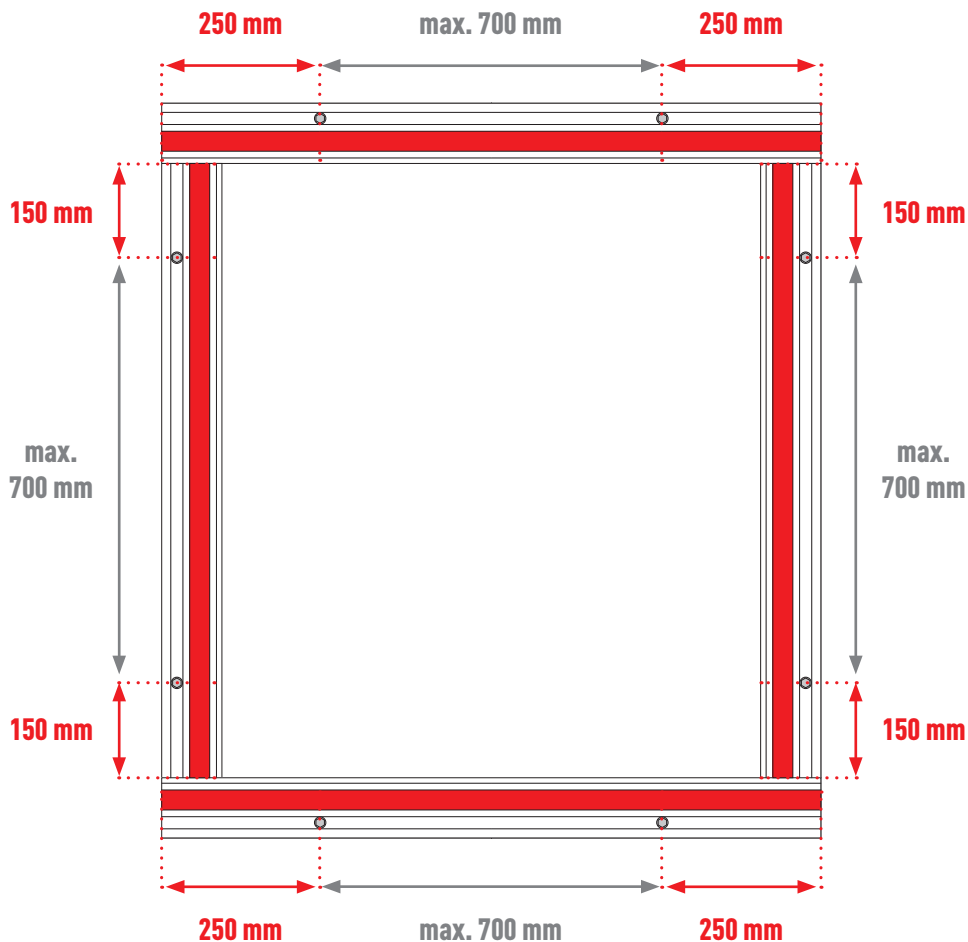
(USE FISCHER FPS-FPB 4,2 X 13 ZPF 1000 OR EQUIVALENT)



ANNEX 1: BURGLAR PROOF WINDOW INSTALLATION

FIXING FRAME :

MAX 700 MM BETWEEN ALL FRAME FIXING SCREWS



EXTRA FOR RC3: WINDOW SIZE \leq 800 X 800 MM \rightarrow MANDATORY USE OF SUPPORTS

ANNEX 1: BURGLAR PROOF WINDOW INSTALLATION

FIXATE THE WINDOW :

ALWAYS USE PRESSURE-RESISTANT WINDOW SPACERS*

RC2 : ALL WINDOW SIZES

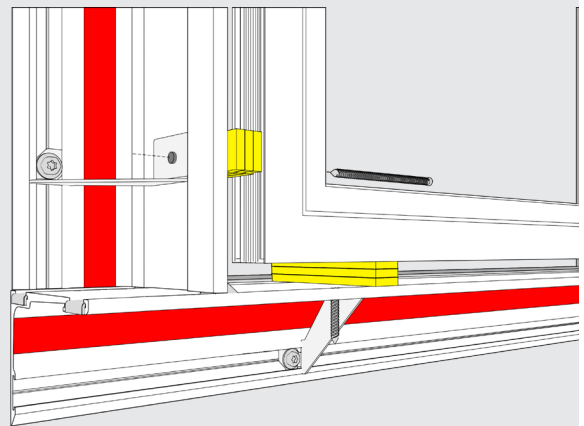
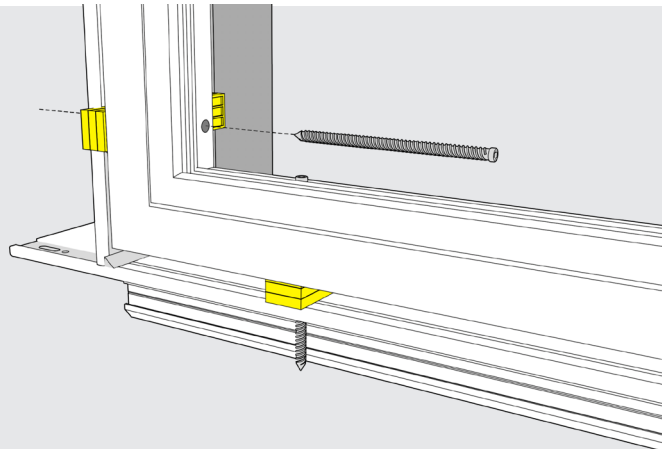
→ STANDARD FIXATION**

RC3 : WINDOW SIZE > 800 X 800

→ AT LEAST 3 WINDOW
FIXING SCREWS / SIDE**

WINDOW SIZE < 800 X 800

→ AT LEAST 2 WINDOW
FIXING SCREWS / SIDE**
AND MANDATORY USE OF SUPPORTS
THAT ARE SCREWED THROUGH***



*Please follow the current installation instructions of the manufacturer of the burglar proof window for the correct type, the amount and the location of the window spacers.

** Please follow the current installation instructions of the manufacturer of the burglar proof window for the correct type, the amount and the location of the window fixing screws.

*** This applies to all window fixing screws.

ANNEX 2: FALL PROTECTION / GUARDING



FALL PROTECTION/GUARDING

→ BELOW THE GUARD HEIGHT: MANDATORY USE OF SUPPORTS THAT ARE SCREWED THROUGH*

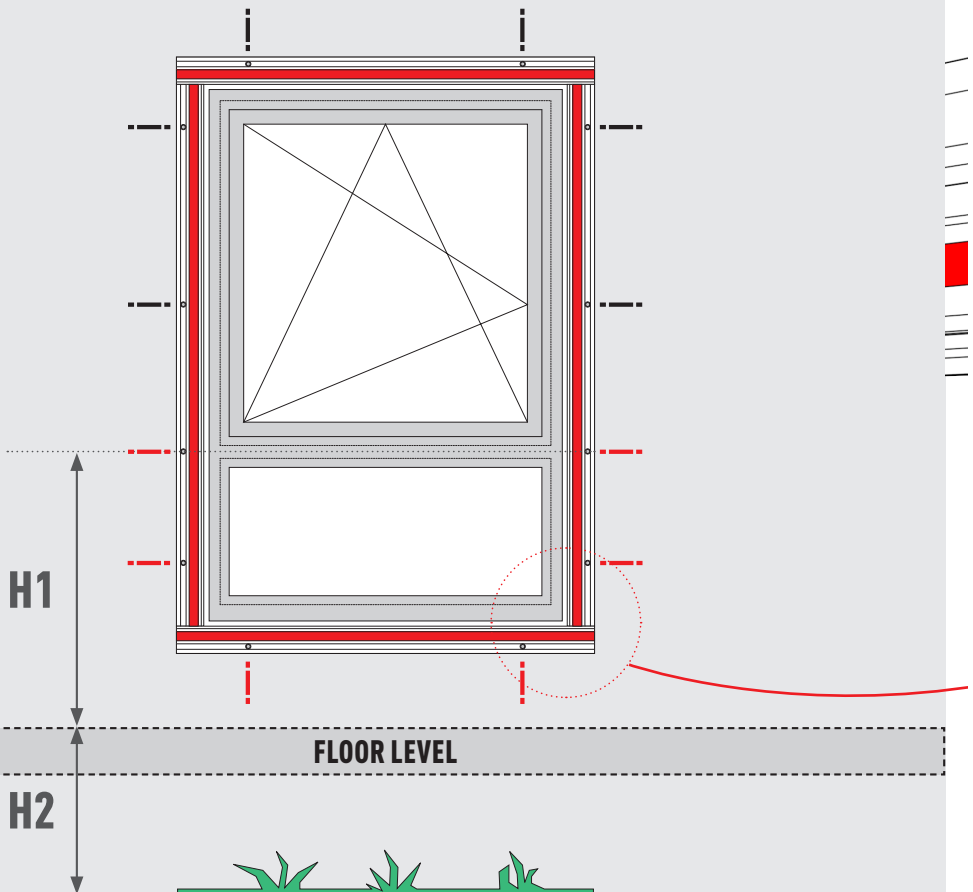
FOR EXAMPLE:

H1 = GUARD HEIGHT

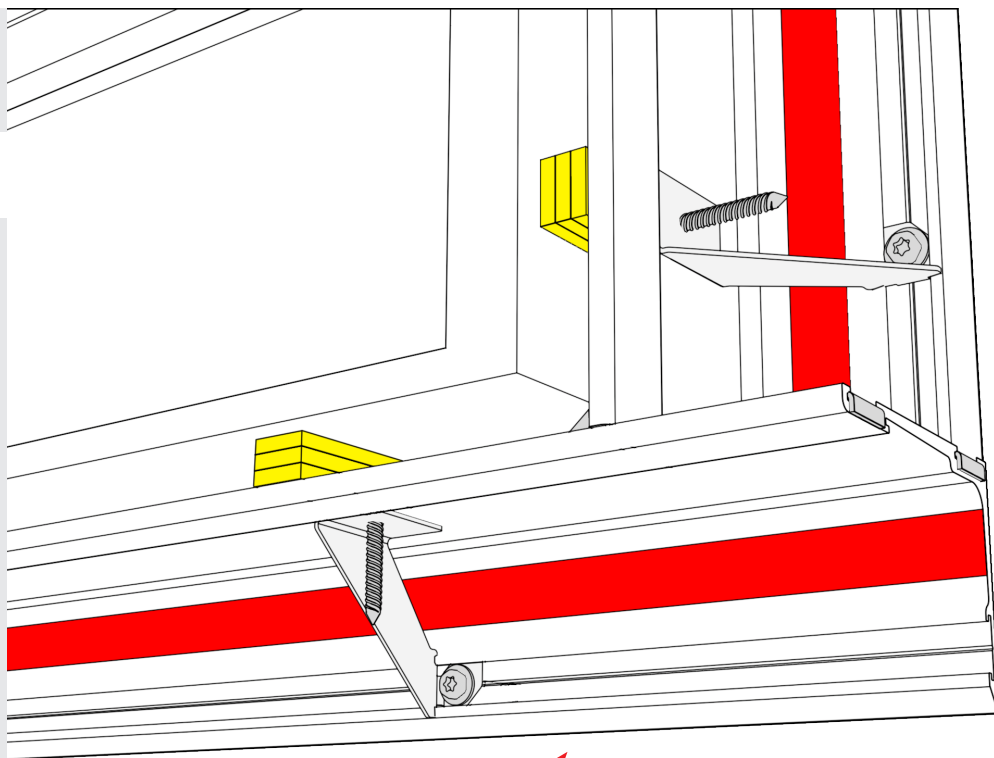
H2 = HEIGHT DIFFERENCE (FALL HEIGHT)

--- = FIXING WITHOUT SUPPORT

- - - = FIXING WITH SUPPORT*



ANNEX 2: FALL PROTECTION / GUARDING



* Please follow the current regulations/guidelines corresponding to your country for the number and location of the supports against fall protection/guarding.

NOTES

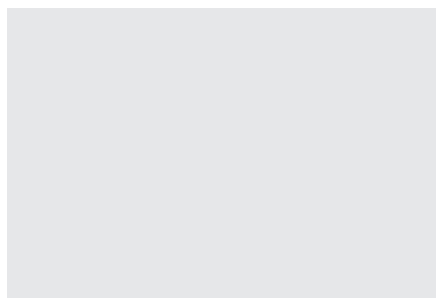
SOUDAFRAME SWI



SOUDAL N.V.

Everdongenlaan 18
2300 Turnhout
Belgium
Tel: +32 14 44 78 78
www.soudal.com

Your distributor



001103-DESIGN