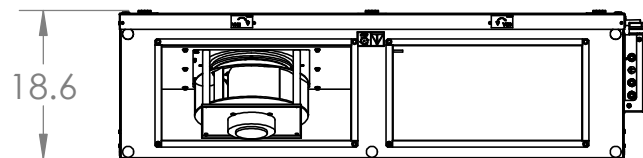
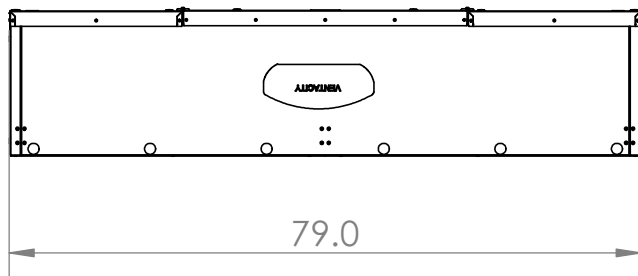
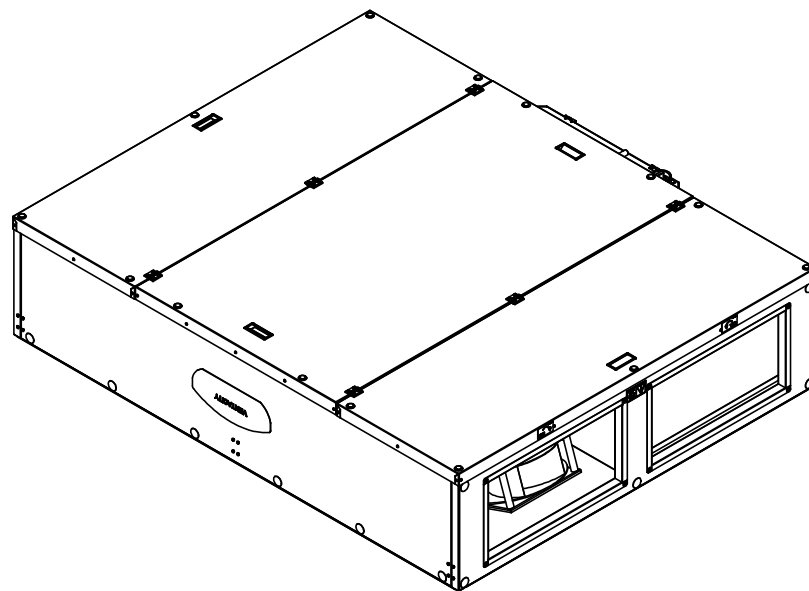
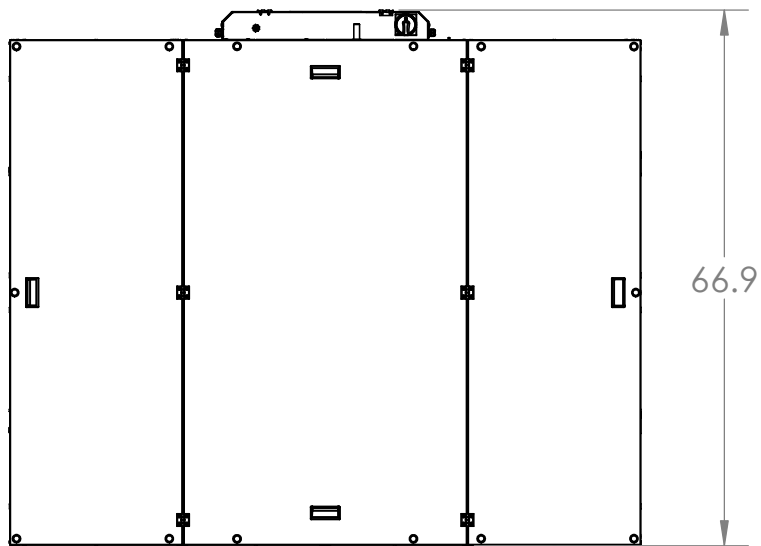


2

1



B

B

A

A

2

1

KT

2/10/2023

COMMENTS:

DIMENSIONS ARE IN INCHES  
DO NOT SCALE DRAWING

**PROPRIETARY AND CONFIDENTIAL**

THE INFORMATION CONTAINED IN THIS  
DRAWING IS THE SOLE PROPERTY OF  
VENTACITY SYSTEMS. ANY  
REPRODUCTION IN PART OR AS A WHOLE  
WITHOUT THE WRITTEN PERMISSION OF  
VENTACITY SYSTEMS IS PROHIBITED.

TITLE:

VS1200CMh

SIZE

**A**

DWG. NO.

1082000

REV

1

SCALE: 1:24

WEIGHT: 529 LBS

SHEET 1 OF 1