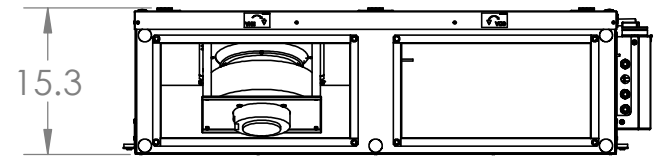
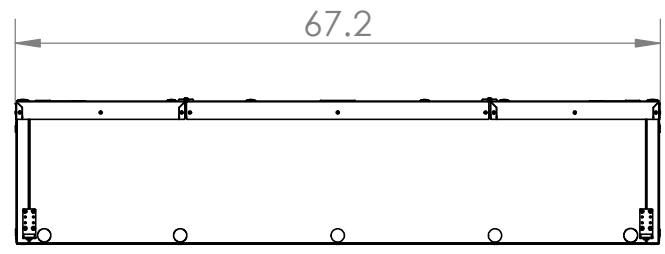
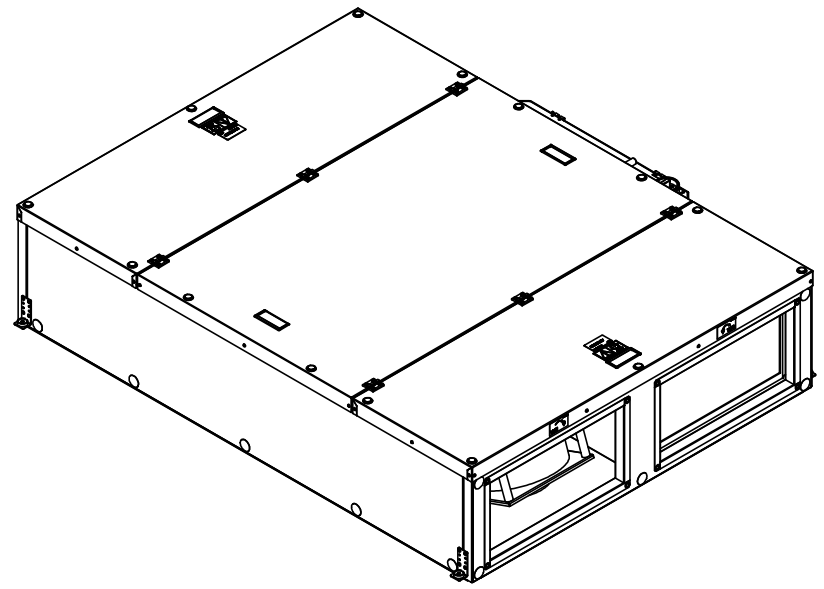
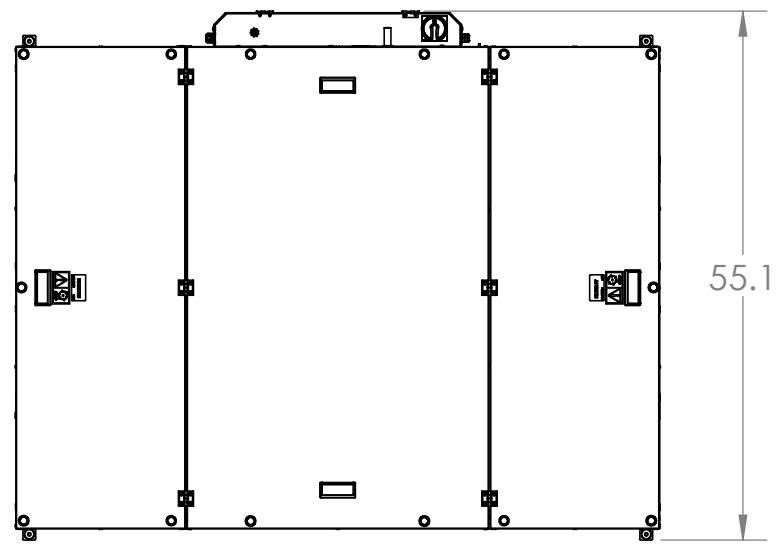


2

1

B

B



A

A

KT

2/10/2023

COMMENTS:

DIMENSIONS ARE IN INCHES
DO NOT SCALE DRAWING

PROPRIETARY AND CONFIDENTIAL

THE INFORMATION CONTAINED IN THIS
DRAWING IS THE SOLE PROPERTY OF
VENTACITY SYSTEMS. ANY
REPRODUCTION IN PART OR AS A WHOLE
WITHOUT THE WRITTEN PERMISSION OF
VENTACITY SYSTEMS IS PROHIBITED.

TITLE:

VS900CMh

SIZE

A

DWG. NO.

1084000

REV

1

SCALE: 1:20

WEIGHT: 364 LBS

SHEET 1 OF 1

2

1