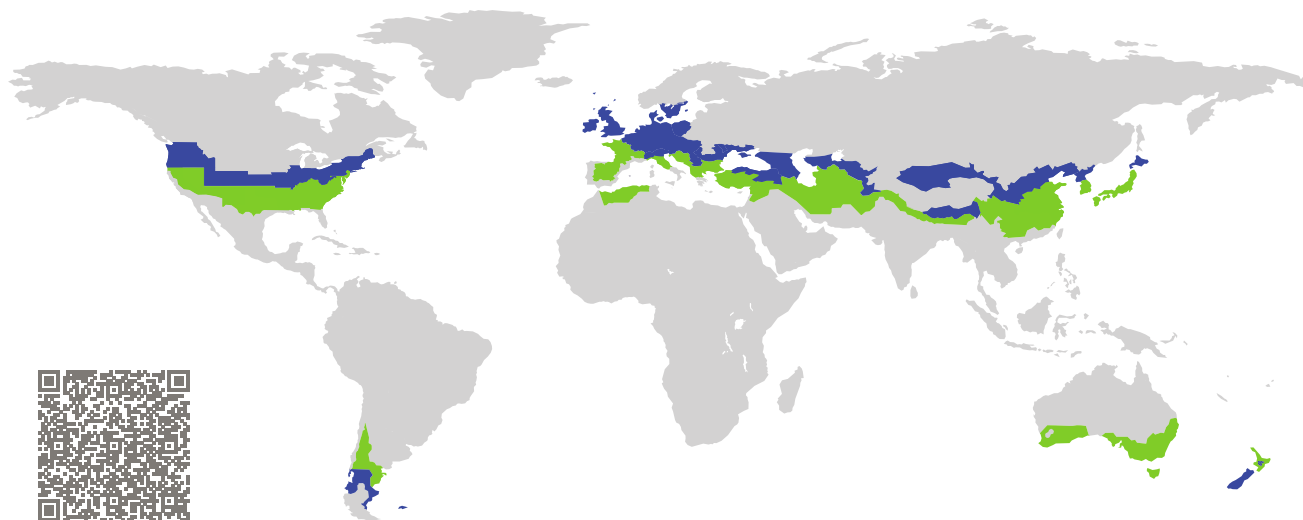


# CERTIFICATE

Certified Passive House Component

Component-ID 2282cw03 valid until 31st December 2025

Passive House Institute  
Dr. Wolfgang Feist  
64283 Darmstadt  
Germany

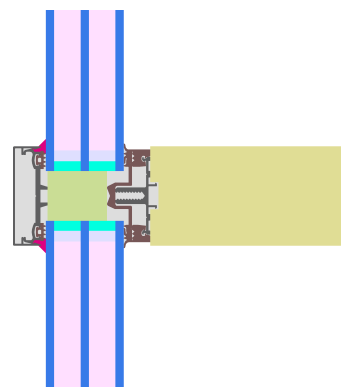


Category: **Curtain Wall**  
Manufacturer: **Wangmei Industrial Group Co., Ltd,  
Xingtai City, Hebei Province,  
China**  
Product name: **WM-P60**

**This certificate was awarded based on the following  
criteria for the cool, temperate climate zone**

Comfort  $U_{CW} = 0.80 \leq 0.80 \text{ W}/(\text{m}^2 \text{ K})$   
 $U_{CW, \text{installed}} \leq 0.85 \text{ W}/(\text{m}^2 \text{ K})$   
with  $U_g = 0.70 \text{ W}/(\text{m}^2 \text{ K})$

Hygiene  $f_{Rsi=0.25} \geq 0.70$



cool, temperate climate



**CERTIFIED  
COMPONENT**

Passive House Institute

Passive House  
efficiency class

phE

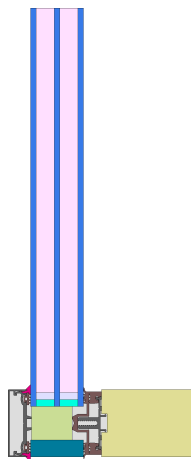
phD

phC

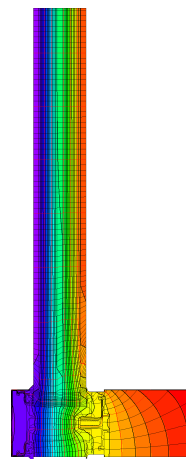
phB

phA

[www.passivehouse.com](http://www.passivehouse.com)



Calculation model



Isothermal

### Description

Timber construction (pine wood 0.13 W/(mK)), aluminium covering and pressure plate, PE-insulation in the glazing rebate (0.038 W/(mK)), plastic glass carrier fixed with stainless steel screws. Pane thickness: 47 mm (5/16/5/16/5), rebate depth: 15 mm, spacer: Technoform SP 16 with butyl secondary seal.

### Explanation






The element U-values were calculated for the test element size of 1.20 m × 2.50 m with  $U_g = 0.70 \text{ W}/(\text{m}^2 \text{ K})$ . If a higher quality glazing is used, the element U-values will improve as follows:

Glazing	$U_g =$	0.70	0.64	0.58	0.52	W/(m <sup>2</sup> K)
		↓	↓	↓	↓	
Element	$U_{CW}$	0.80	0.75	0.69	0.64	W/(m <sup>2</sup> K)

Transparent building components are sorted into efficiency classes depending on the heat losses through the opaque part. The frame U-Values, frame widths, thermal bridges at the glazing edge and the glazing edge lengths are included in these heat losses. A more detailed report of the calculations performed in the context of certification is available from the manufacturer.

The Passive House Institute has defined international component criteria for seven climate zones. In principle, components that have been certified for climate zones with higher thermal requirements may also be used in climates with less stringent requirements. In a particular climate zone it may make sense to use a component of a higher thermal quality which has been certified for a climate zone with more stringent requirements.

Further information relating to certification can be found on [www.passivehouse.com](http://www.passivehouse.com) and [passipedia.org](http://passipedia.org).

Frame values		Frame width $b_f$ mm	$U$ -value frame $U_f^1$ W/(m <sup>2</sup> K)	$\Psi$ -glazing edge $\Psi_g$ W/(m K)	Temp. Factor $f_{Rsi=0.25}$ [-]
Mullion fixed	(OM1) 	60	1.00	0.033	0.74
Transom fixed	(OT1) 	60	1.00	0.033	0.74
Bottom fixed	(FB1) 	60	0.98	0.032	0.73
Top fixed	(FH1) 	60	0.98	0.032	0.73
Lateral fixed	(FJ1) 	60	0.98	0.032	0.73

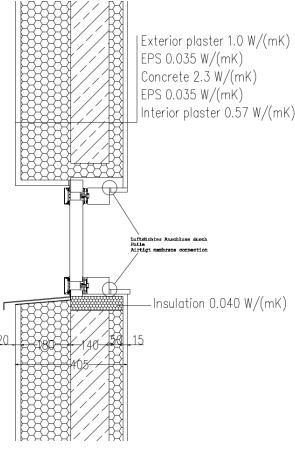
**Spacer: Technoform-Spacer SP16      Secondary seal: Butyl**

Thermal glass carrier bridge<sup>2</sup>  $\chi_{GT} = 0.004$  W/K

### Validated installations

**Formwork blocks (fixed)**

$U_{Wall} = 0.15$  W/(m<sup>2</sup> K)



Exterior plaster 1.0 W/(mK)  
EPS 0.035 W/(mK)  
Concrete 2.3 W/(mK)  
EPS 0.035 W/(mK)  
Interior plaster 0.57 W/(mK)

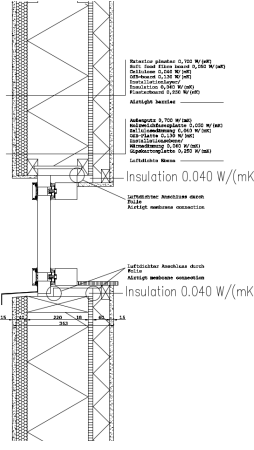
Insulation 0.040 W/(mK)

$\Psi_{install}$	W/(m K)
Top	0.028
Left	0.027
Right	0.027
Bottom	0.035

$U_{W,installed} = 0.85$  W/(m<sup>2</sup> K)

**Lightweight timber (fixed glazed)**

$U_{Wall} = 0.13$  W/(m<sup>2</sup> K)



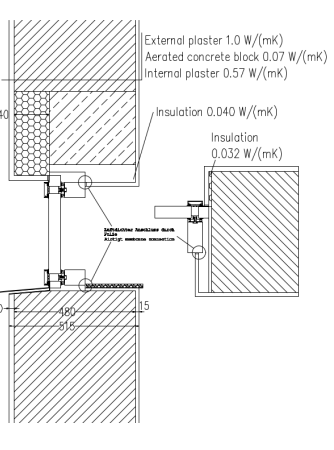
Insulation 0.040 W/(mK)

$\Psi_{install}$	W/(m K)
Top	0.029
Left	0.025
Right	0.025
Bottom	0.036

$U_{W,installed} = 0.85$  W/(m<sup>2</sup> K)

**Monolithic construction (fixed glazed)**

$U_{Wall} = 0.14$  W/(m<sup>2</sup> K)



External plaster 1.0 W/(mK)  
Aerated concrete block 0.07 W/(mK)  
Internal plaster 0.57 W/(mK)

Insulation 0.040 W/(mK)  
Insulation 0.032 W/(mK)

$\Psi_{install}$	W/(m K)
Top	0.090
Left	0.023
Right	0.023
Bottom	0.031

$U_{W,installed} = 0.84$  W/(m<sup>2</sup> K)

<sup>1</sup> Includes  $\Delta U = 0.30$  W/(m<sup>2</sup> K). Standard value

<sup>2</sup> Standard value. Glass carrier type: Non-metallic glass carrier with screws

