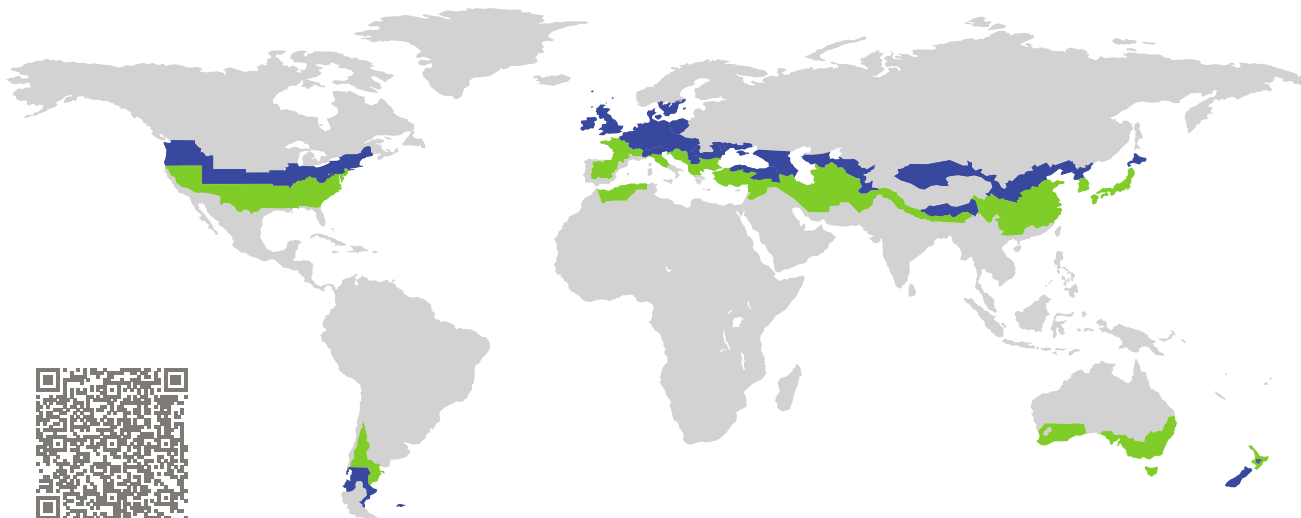


CERTIFICATE

Certified Passive House Component

Component-ID 1518cw03 valid until 31st December 2025

Passive House Institute
Dr. Wolfgang Feist
64283 Darmstadt
Germany

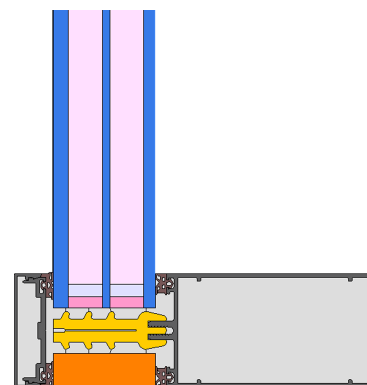


Category: **Curtain Wall**
Manufacturer: **HUECK System GmbH & Co. KG,**
Lüdenscheid,
Germany
Product name: **FS 060 pro**

This certificate was awarded based on the following criteria for the cool, temperate climate zone

Comfort $U_{CW=0.80} \leq 0.80 \text{ W}/(\text{m}^2 \text{ K})$
 $U_{CW,installed} \leq 0.85 \text{ W}/(\text{m}^2 \text{ K})$
with $U_g = 0.70 \text{ W}/(\text{m}^2 \text{ K})$

Hygiene $f_{Rsi=0.25} \geq 0.70$



Passive House
efficiency class

phE

phD

phC

phB

phA

cool, temperate climate



**CERTIFIED
COMPONENT**

Passive House Institute



Description

Construction: Mullion and transom facade with flexible polyethylene-foam (0.038 W/mK) inside of the rebate. Pane thickness: 54 mm (8/18/4/18/6), glass inset: 18 mm, spacer: SWISSPACER Ultimate, Secondary sealing: DOWSIL 3364 Warm Edge IG Sealant

Explanation

The element U-values were calculated for the test element size of 1.20 m × 2.50 m with $U_g = 0.70 \text{ W}/(\text{m}^2 \text{ K})$. If a higher quality glazing is used, the element U-values will improve as follows:

Glazing	$U_g =$	0.70	0.64	0.58	0.54	W/(m ² K)
		↓	↓	↓	↓	
Element	U_{CW}	0.80	0.75	0.69	0.66	W/(m ² K)

Transparent building components are sorted into efficiency classes depending on the heat losses through the opaque part. The frame U-Values, frame widths, thermal bridges at the glazing edge and the glazing edge lengths are included in these heat losses. A more detailed report of the calculations performed in the context of certification is available from the manufacturer.

The Passive House Institute has defined international component criteria for seven climate zones. In principle, components that have been certified for climate zones with higher thermal requirements may also be used in climates with less stringent requirements. In a particular climate zone it may make sense to use a component of a higher thermal quality which has been certified for a climate zone with more stringent requirements.

Further information relating to certification can be found on www.passivehouse.com and passipedia.org.

Frame values			Frame width b_f mm	U -value frame U_f ¹ W/(m ² K)	Ψ -glazing edge Ψ_g W/(m K)	Temp. Factor $f_{Rsi=0.25}$ [-]
Mullion fixed	(OM1)		60	0.75	0.031	0.81
Mullion fixed	(OM2)		60	0.75	0.030	0.81
Transom fixed	(OT1)		60	0.76	0.031	0.82
Bottom fixed	(FB1)		60	0.79	0.032	0.83
Top fixed	(FH1)		60	0.79	0.032	0.83
Lateral fixed	(FJ1)		60	0.80	0.031	0.82
Spacer: SWISSPACER Ultimate			Secondary seal: DOWSIL™ 3364 Warm Edge IG Sealant			

Thermal glass carrier bridge² $\chi_{GT} = 0.040$ W/K

Validated installations

Lightweight timber (fixed glazed)		Ventilated facade (fixed glazing)		Exterior insulation and finishing system (EIFS) (fixed glazed)	
$U_{Wall} = 0.13$ W/(m ² K)		$U_{Wall} = 0.13$ W/(m ² K)		$U_{Wall} = 0.13$ W/(m ² K)	
$\Psi_{install}$	W/(m K)	$\Psi_{install}$	W/(m K)	$\Psi_{install}$	W/(m K)
Top	0.026	Top	0.020	Top	0.020
Left	0.043	Left	0.016	Left	0.017
Right	0.043	Right	0.016	Right	0.017
Bottom	0.026	Bottom	0.020	Bottom	0.020
$U_{W,installed} = 0.85$ W/(m ² K)		$U_{W,installed} = 0.83$ W/(m ² K)		$U_{W,installed} = 0.83$ W/(m ² K)	

¹ Includes $\Delta U = 0.14$ W/(m² K). Determined through measurement

² Determined through 3D FEM simulation. Glass carrier type: Aluminium

