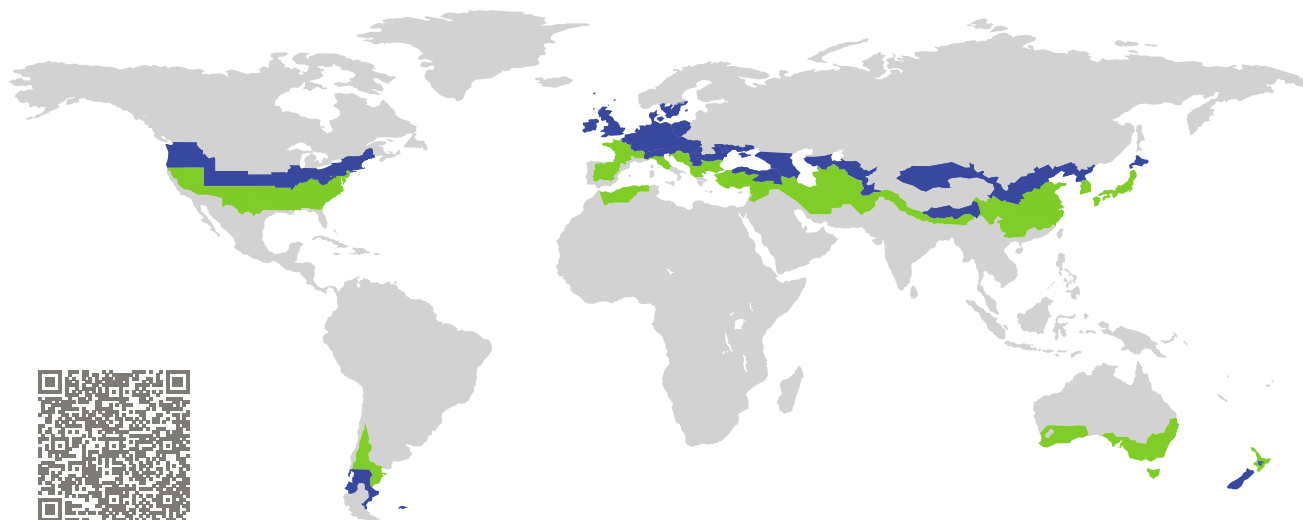


# CERTIFICATE

Certified Passive House Component

Component-ID 2163wi03 valid until 31st December 2025

Passive House Institute  
Dr. Wolfgang Feist  
64283 Darmstadt  
Germany

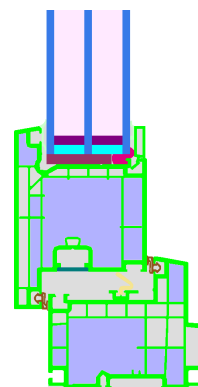


Category: **Window Frame**  
Manufacturer: **PH Tech,  
Levis, QC,  
Canada**  
Product name: **Twist S-6300 T&T door (outswing)**

**This certificate was awarded based on the following  
criteria for the cool, temperate climate zone**

Comfort  $U_W = 0.80 \leq 0.80 \text{ W}/(\text{m}^2 \text{ K})$   
 $U_{W, \text{installed}} \leq 0.85 \text{ W}/(\text{m}^2 \text{ K})$   
with  $U_g = 0.70 \text{ W}/(\text{m}^2 \text{ K})$

Hygiene  $f_{Rsi=0.25} \geq 0.70$



Passive House  
efficiency class

phE

phD

phC

phB

phA

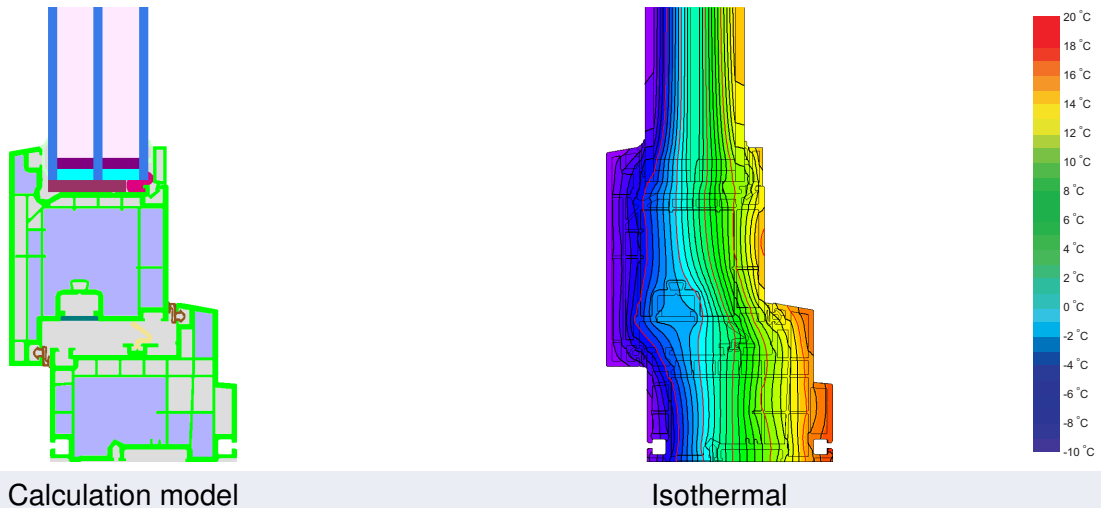
[www.passivehouse.com](http://www.passivehouse.com)

cool, temperate climate



**CERTIFIED  
COMPONENT**

Passive House Institute



**Description**

Outswing - PVC frame, insulated with G-EPS (0,031 W/(mK)). The maximum window size without reinforcement is 48''' (1,22 m) wide by 72''' (1,83 m) high. There is no restriction regarding colour finishes. For the jamb section a structural reinforcement has been considered. Pane thickness: 44 mm (4/16/4/16/4), rebate depth: 15 mm.

**Explanation**

The window U-values were calculated for the test window size of 1.23 m × 1.48 m with  $U_g = 0.70 \text{ W}/(\text{m}^2 \text{ K})$ . If a higher quality glazing is used, the window U-values will improve as follows:

Glazing	$U_g =$	0.70	0.64	0.58	0.54	W/(m <sup>2</sup> K)
		↓	↓	↓	↓	
Window	$U_W =$	0.80	0.76	0.72	0.70	W/(m <sup>2</sup> K)

Transparent building components are classified into efficiency classes depending on the heat losses through the opaque part. The frame U-Values, frame widths, thermal bridges at the glazing edge, and the glazing edge lengths are included in these heat losses. A more detailed report of the calculations performed in the context of certification is available from the manufacturer.

The Passive House Institute has defined international component criteria for seven climate zones. In principle, components which have been certified for climate zones with higher requirements may also be used in climates with less stringent requirements. In a particular climate zone it may make sense to use a component of a higher thermal quality which has been certified for a climate zone with more stringent requirements.

Further information relating to certification can be found on [www.passivehouse.com](http://www.passivehouse.com) and [passipedia.org](http://passipedia.org).

## Validated installations

Formwork blocks (operable)		Deep stud wall		Exterior insulation and finishing system (EIFS) (operable)	
$U_{\text{Wall}} = 0.15 \text{ W}/(\text{m}^2 \text{ K})$		$U_{\text{Wall}} = 0.15 \text{ W}/(\text{m}^2 \text{ K})$		$U_{\text{Wall}} = 0.14 \text{ W}/(\text{m}^2 \text{ K})$	
<p>Exterior plaster 1.0 W/(mK) EPS 0.035 W/(mK) Concrete 2.3 W/(mK) EPS 0.035 W/(mK) Interior plaster 0.57 W/(mK)</p>		<p>Rear vent. OSB/Softwood 0.13 W/(mK) Insulation 0.035 W/(mK) OSB/Softwood 0.13 W/(mK) Mineralwool &amp; Timber 0.042 W/(mK) Gypsum board 0.30 W/(mK)</p>		<p>Exterior plaster 1.0 W/(mK) EPS 0.035 W/(mK) Adhesive 0.70 W/(mK) Sand-lime brick 1.0 W/(mK) Interior plaster 0.57 W/(mK)</p>	
$\Psi_{\text{install}}$	W/(m K)	$\Psi_{\text{install}}$	W/(m K)	$\Psi_{\text{install}}$	W/(m K)
Top	0.017	Top	0.012	Top	0.016
Side	0.017	Side	0.012	Side	0.016
Bottom	0.021	Bottom	0.021	Bottom	0.010
$U_{W,\text{installed}} = 0.85 \text{ W}/(\text{m}^2 \text{ K})$		$U_{W,\text{installed}} = 0.84 \text{ W}/(\text{m}^2 \text{ K})$		$U_{W,\text{installed}} = 0.84 \text{ W}/(\text{m}^2 \text{ K})$	

Frame values		Frame width $b_f$ mm	$U$ -value frame $U_f$ W/(m <sup>2</sup> K)	$\Psi$ -glazing edge $\Psi_g$ W/(m K)	Temp. Factor $f_{Rsi=0.25}$ [-]
Bottom	(OB1)	139	0.78	0.025	0.75
Top	(OH1)	139	0.78	0.025	0.75
Lateral	(OJ1)	139	0.84	0.024	0.75
Spacer: Super Spacer® Premium		Secondary seal: Butyl			

