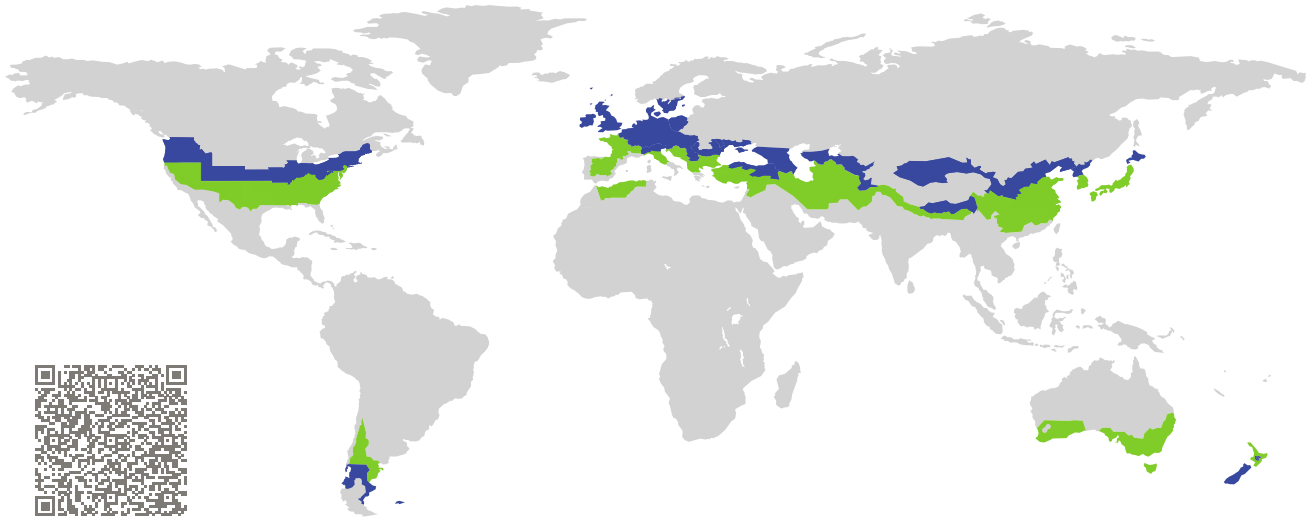


CERTIFICATE

Certified Passive House Component

Component-ID 2308cw03 valid until 31st December 2025

Passive House Institute
Dr. Wolfgang Feist
64283 Darmstadt
Germany

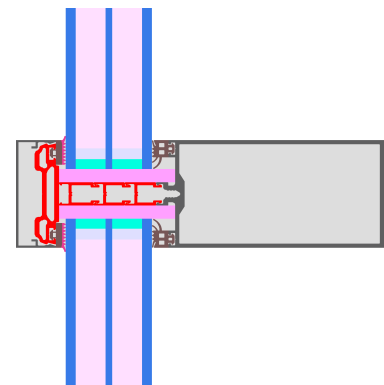


Category: **Curtain Wall**
Manufacturer: **The second Construction Co.,Ltd of
China Construction Eighth
Engineering Division,
Jinan,
China**
Product name: **CSCEC82 PHCW 70**

**This certificate was awarded based on the following
criteria for the cool, temperate climate zone**

Comfort $U_{CW=0.80} \leq 0.80 \text{ W}/(\text{m}^2 \text{ K})$
 $U_{CW,\text{installed}} \leq 0.85 \text{ W}/(\text{m}^2 \text{ K})$
with $U_g = 0.70 \text{ W}/(\text{m}^2 \text{ K})$

Hygiene $f_{Rsi=0.25} \geq 0.70$



Passive House
efficiency class

phE

phD

phC

phB

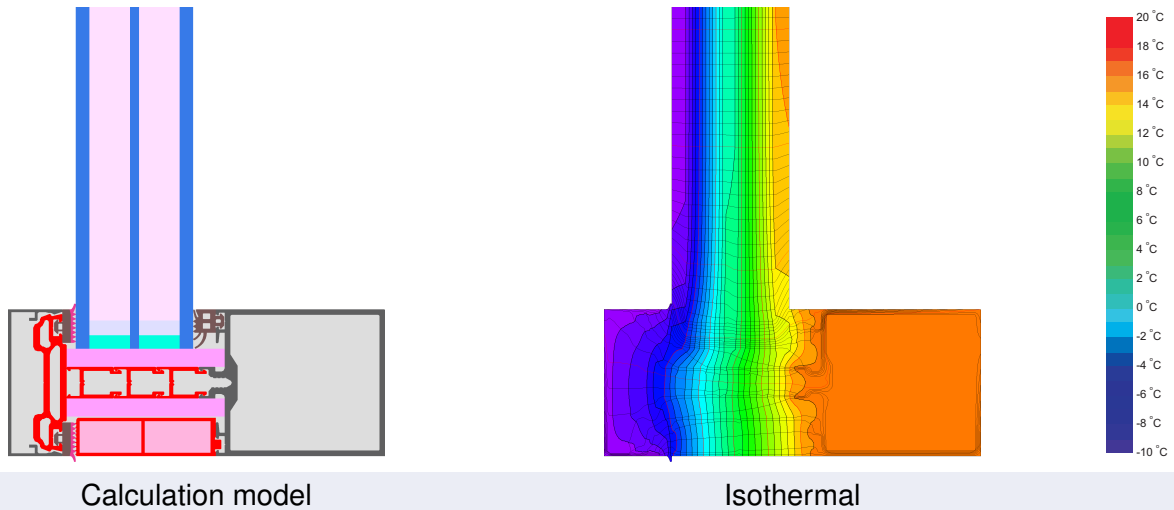
phA

cool, temperate climate



**CERTIFIED
COMPONENT**

Passive House Institute



Description

Curtain wall facade made from aluminum and a width of 65 mm; Isolator made from XPET (0,030 W/(mK)) and interlocking polyamid elements (0,3 W/(mK)); pressure plate made from polyamid and cover plate made from aluminium. A screw distance of 30 cm was used for the simulation and a corresponding chi-value of 0.002 W/K was determined. The glass carriers are mainly also made from polyamid with a small stainless steel part. The corresponding chi-value is 0.019 W/K. Pane thickness: 52 mm (6/18/4/18/6), rebate depth: 30 mm. Spacer: Technoform-Spacer SP16 with butyl as secondary seal.

Explanation






The element U-values were calculated for the test element size of 1.20 m × 2.50 m with $U_g = 0.70 \text{ W}/(\text{m}^2 \text{ K})$. If a higher quality glazing is used, the element U-values will improve as follows:

Glazing	$U_g =$	0.70	0.68	0.58	0.52	$\text{W}/(\text{m}^2 \text{ K})$
		↓	↓	↓	↓	
Element	U_{CW}	0.80	0.78	0.69	0.63	$\text{W}/(\text{m}^2 \text{ K})$

Transparent building components are sorted into efficiency classes depending on the heat losses through the opaque part. The frame U-Values, frame widths, thermal bridges at the glazing edge and the glazing edge lengths are included in these heat losses. A more detailed report of the calculations performed in the context of certification is available from the manufacturer.

The Passive House Institute has defined international component criteria for seven climate zones. In principle, components that have been certified for climate zones with higher thermal requirements may also be used in climates with less stringent requirements. In a particular climate zone it may make sense to use a component of a higher thermal quality which has been certified for a climate zone with more stringent requirements.

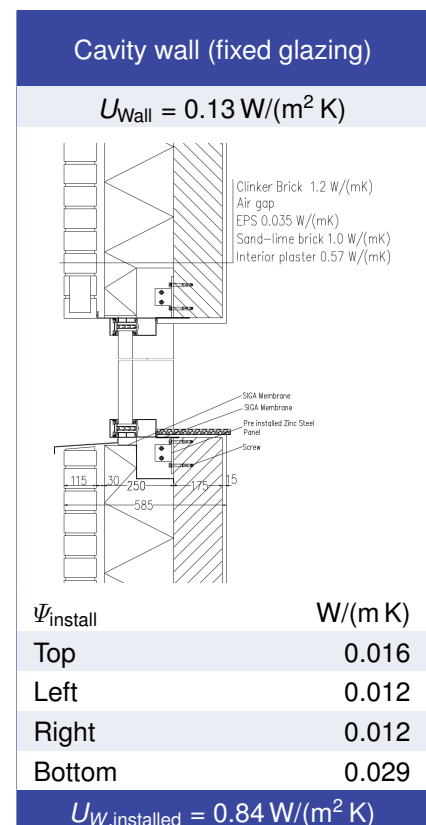
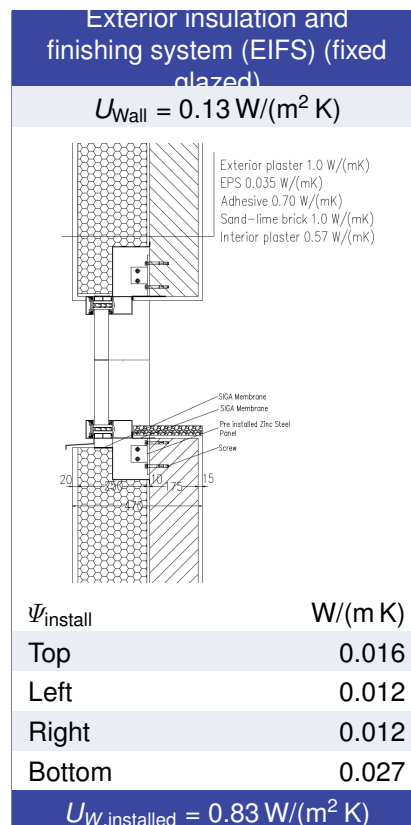
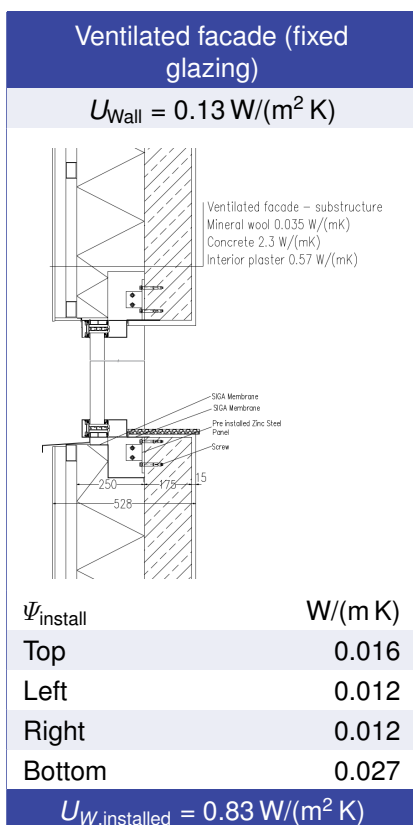
Further information relating to certification can be found on www.passivehouse.com and passipedia.org.

Frame values			Frame width b_f mm	U -value frame U_f^1 W/(m ² K)	Ψ -glazing edge Ψ_g W/(m K)	Temp. Factor $f_{Rsi=0.25}$ [-]
Mullion fixed	(0M1)		65	0.87	0.031	0.80
Transom fixed	(0T1)		65	0.86	0.030	0.79
Bottom fixed	(FB1)		65	0.99	0.030	0.78
Top fixed	(FH1)		65	0.99	0.030	0.78
Lateral fixed	(FJ1)		65	1.00	0.030	0.79

Spacer: Technoform-Spacer SP16 Secondary seal: Butyl

Thermal glass carrier bridge² $\chi_{GT} = 0.019$ W/K

Validated installations



¹ Includes $\Delta U = 0.10$ W/(m² K). Determined through 3D FEM simulation

² Determined through 3D FEM simulation. Glass carrier type: GRP & stainless steel

