

Certificate

Certified Passive House component

for cool, temperate climate, valid until 31.12.2025

Category: **Facade anchor**
 Manufacturer: **Longboard® Architectural Products**
Abbotsford, Canada
 Product name: **Hitch Cladding Attachment System**

The following criteria were used in awarding this certificate:

Efficiency Criterion

In a typical application*, the construction fulfills the requirements of

$$\text{Eff.fa} \leq 0.200 \text{ W/(kNK)}$$

Comfort Criterion

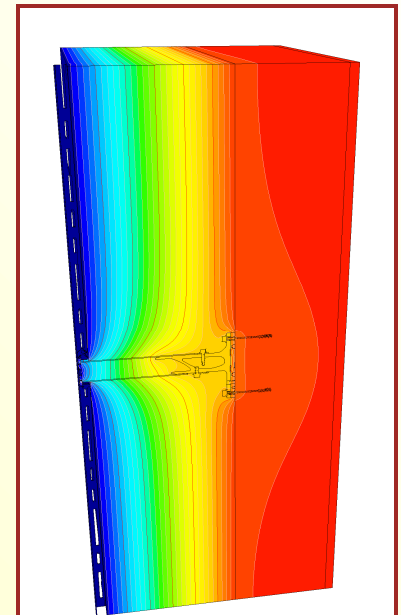
The inner surface must be warm enough to prevent mold as well as uncomfortable down-drafts and radiation losses.

$$\theta_{i,\min} \geq 17^\circ\text{C}$$

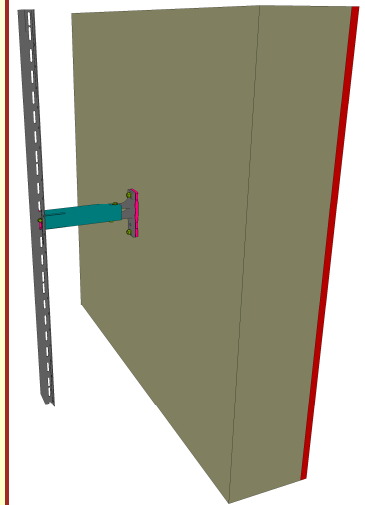
Thermal data of the certified component

Hitch Cladding Attachment System	Thermal bridge coefficient	Minimum interior surface temperature
	χ [W/K]	$\theta_{i,\min}$ [°C]
Fixed point	0.0166	19.25
Sliding point	0.0033	19.29

* The criterion has been validated with a representative facade of a school building



Isothermal map Longboard Hitch System



Representation Longboard Hitch System

cool, temperate climate



CERTIFIED COMPONENT

Passive House Institute

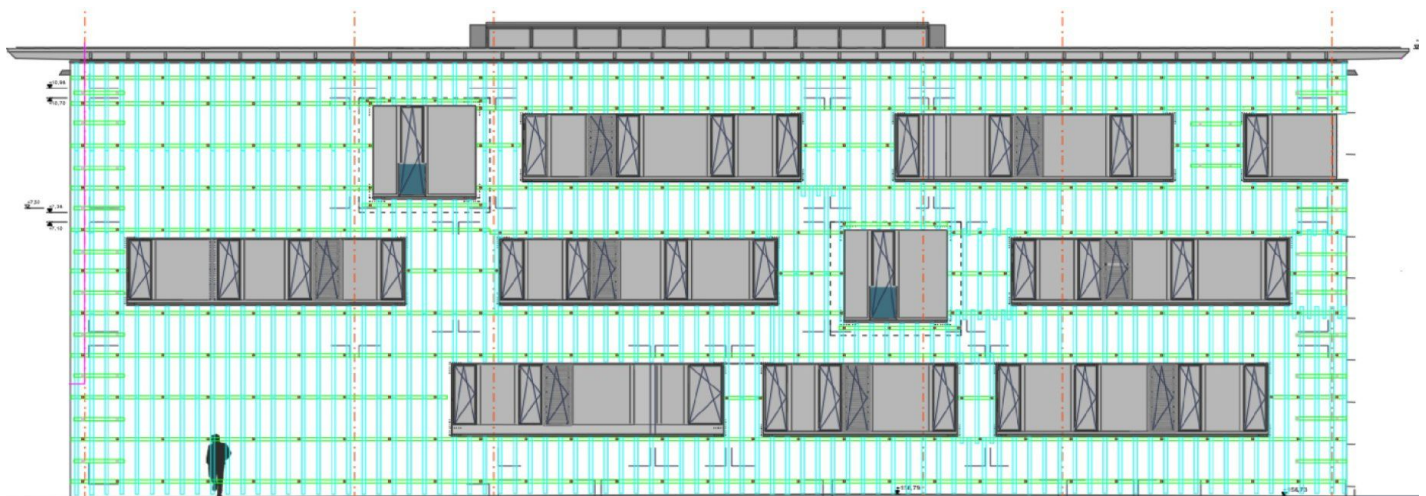
Data sheet Longboard® Architectural Products, Hitch Cladding Attachment System

Manufacturer Longboard® Architectural Products
 1777 Clearbrook Road, V2T 5X5 Abbotsford, Canada
 +1 800 604 0343
<https://www.longboardproducts.com>

Criteria validated based on reference facade	Δ_U [W/(m²K)]
LC VI	0.0167

In order to validate the suitability, the manufacturer provides a static calculation / structural analysis and an associated installation plan for the reference facade.

Load class / Facade weight		Thermal bridge coefficients [W/K]	
LC / Material	[kN/m ²]	X _{FP}	X _{SP}
VI / Stone	0.56	0.0166	0.0033
Efficiency	Δ_U	Quantity / m ²	
[W/(kNK)]	[W/(m ² K)]	FP	SP
0.0298	0.0167	0.98	0.14



Installation-plan reference facade of the certified component (LC VI)

Load-class (LC)	Facade cladding	Façade weight [kN/m ²]	Efficiency criterion achieved?
I	Aluminium laminated	0.10	yes
II	Plastic	0.15	yes
III	Fiber-cement plates	0.20	yes
IV	Acrylic glass	0.25	yes
V	Ceramics	0.30	yes
VI	Stone	0.56	yes

The classification criteria and the load class allocation can be found in the current criteria "Zertifizierte Passivhaus Komponente – Fassadenanker, Version 2.1, 19.05.2021".