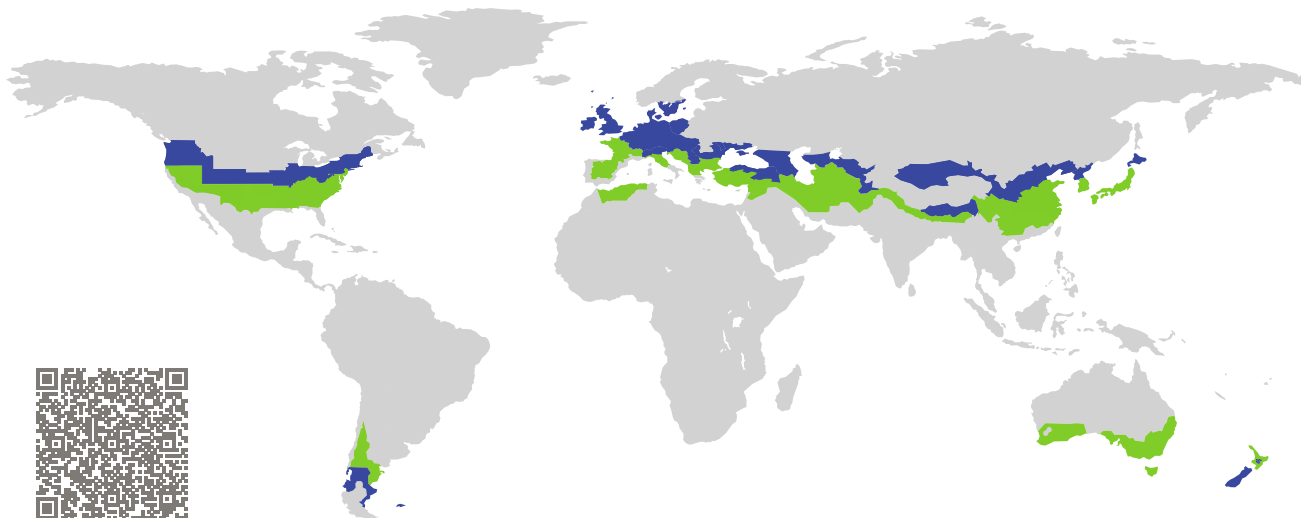


CERTIFICATE

Certified Passive House Component

Component-ID 1825wi03 valid until 31st December 2025

Passive House Institute
Dr. Wolfgang Feist
64283 Darmstadt
Germany

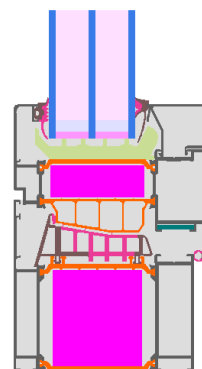


Category: **Window Frame**
Manufacturer: **Shandong Woshide Energy Saving Technology Co., Ltd, Jinan, China**
Product name: **WSHIDE 92**

This certificate was awarded based on the following criteria for the cool, temperate climate zone

Comfort $U_W = 0.78 \leq 0.80 \text{ W}/(\text{m}^2 \text{ K})$
 $U_{W,\text{installed}} \leq 0.85 \text{ W}/(\text{m}^2 \text{ K})$
with $U_g = 0.70 \text{ W}/(\text{m}^2 \text{ K})$

Hygiene $f_{Rsi=0.25} \geq 0.70$



cool, temperate climate



CERTIFIED COMPONENT

Passive House Institute

Passive House
efficiency class

phE

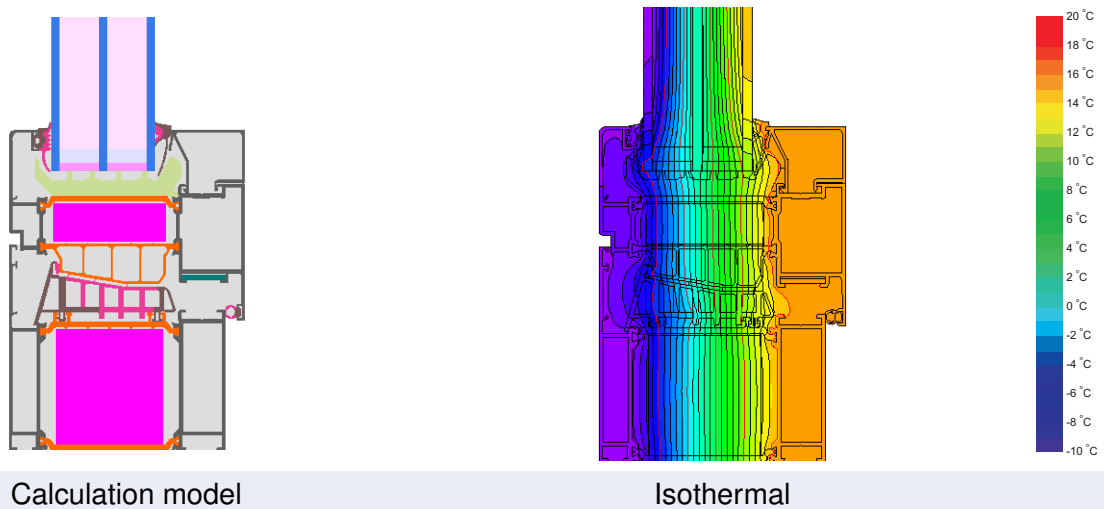
phD

phC

phB

phA

www.passivehouse.com



Calculation model Isothermal

Description

Aluminium window frame, coated after assembling with Low-Lambda PA66 thermal break. Insulated by WPS-foam, 0.032 W/(mK). Rebate insulation by PE-foam, 0.038 W/(mK). Pane thickness: 48 mm (4/18/4/18/4), rebate depth: 19 mm. Spacer: Technoform-Spacer SP16.

Explanation

The window U-values were calculated for the test window size of 1.23 m × 1.48 m with $U_g = 0.70 \text{ W}/(\text{m}^2 \text{ K})$. If a higher quality glazing is used, the window U-values will improve as follows:

Glazing	$U_g =$	0.70	0.64	0.58	0.52	W/(m ² K)
		↓	↓	↓	↓	
Window	$U_W =$	0.78	0.75	0.71	0.67	W/(m ² K)

Transparent building components are classified into efficiency classes depending on the heat losses through the opaque part. The frame U-Values, frame widths, thermal bridges at the glazing edge, and the glazing edge lengths are included in these heat losses. A more detailed report of the calculations performed in the context of certification is available from the manufacturer.

The Passive House Institute has defined international component criteria for seven climate zones. In principle, components which have been certified for climate zones with higher requirements may also be used in climates with less stringent requirements. In a particular climate zone it may make sense to use a component of a higher thermal quality which has been certified for a climate zone with more stringent requirements.

Further information relating to certification can be found on www.passivehouse.com and passipedia.org.

Validated installations

Lightweight timber (operable)		Ventilated facade		Exterior insulation and finishing system (EIFS) (operable)	
$U_{Wall} = 0.13 \text{ W}/(\text{m}^2 \text{ K})$		$U_{Wall} = 0.13 \text{ W}/(\text{m}^2 \text{ K})$		$U_{Wall} = 0.13 \text{ W}/(\text{m}^2 \text{ K})$	
<p>Exterior plaster 1.0 W/(mK) Wood fibre board 0.050 W/(mK) Cellulose 0.040 W/(mK) OSB-board 0.13 W/(mK) Insulation 0.040 W/(mK) Plasterboard 0.25 W/(mK)</p> <p>point connection made from timber battens</p>		<p>Ventilated facade - substructure Mineral wool 0.035 W/(mK) Concrete 2.3 W/(mK) Interior plaster 0.57 W/(mK)</p> <p>Suitable fastening, e.g. mounting frame or bracket, but only protruding as far as necessary for fixing the window</p>		<p>Exterior plaster 1.0 W/(mK) EPS 0.035 W/(mK) Adhesive 0.70 W/(mK) Sand-lime brick 1.0 W/(mK) Interior plaster 0.57 W/(mK)</p> <p>Suitable fastening, e.g. mounting frame or bracket, but only protruding as far as necessary for fixing the window</p>	
$\Psi_{install}$	W/(m K)	$\Psi_{install}$	W/(m K)	$\Psi_{install}$	W/(m K)
Top	0.020	Top	0.013	Top	0.016
Side	0.020	Side	0.013	Side	0.016
Bottom	0.024	Bottom	0.024	Bottom	0.024
$U_{W,installed} = 0.84 \text{ W}/(\text{m}^2 \text{ K})$		$U_{W,installed} = 0.83 \text{ W}/(\text{m}^2 \text{ K})$		$U_{W,installed} = 0.84 \text{ W}/(\text{m}^2 \text{ K})$	

Frame values		Frame width b_f mm	U -value frame U_f W/(m ² K)	Ψ -glazing edge Ψ_g W/(m K)	Temp. Factor $f_{Rsi=0.25}$ [-]
Mullion 2 casements	(2M1)	206	0.80	0.026	0.77
Bottom	(OB1)	148	0.75	0.027	0.77
Top	(OH1)	148	0.75	0.027	0.77
Lateral	(OJ1)	148	0.75	0.027	0.77
Spacer: Technoform-Spacer SP16			Secondary seal: Polysulfide		

