

# Certificate

## Certified Passive House Component

for cool, temperate climate, valid until 31.12.2025

Passive House Institute  
Dr. Wolfgang Feist  
64283 Darmstadt  
GERMANY

Category: **Balcony connection**  
**Punctual balcony connection**  
Manufacturer: **Spittelmeister GmbH**  
**75177 Pforzheim, GERMANY**  
Product name: **ISOCON® Typ H (Gleitanker)**

The following criteria were used in awarding this certificate:

### Efficiency Criterion

In two typical applications\*, the construction is

$$\Delta U_{WB} \leq 0.010 \text{ W}/(\text{m}^2\text{K})$$

### Comfort Criterion

The inner surface must be warm enough to prevent mould as well as uncomfortable down-draught and radiation losses.

$$\theta_{i,\min} \geq 17^\circ\text{C}$$

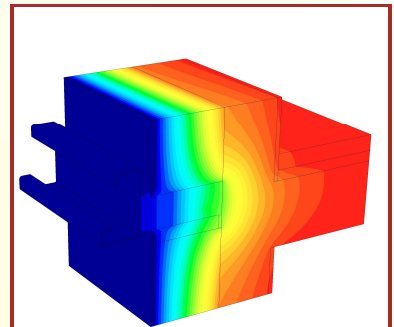
Following heat transmission coefficients X [W/K] have been determined:

Product	Heat transfer coefficient	Minimum balcony length**
ISOCON® Typ H - galvanized steel	0.301 W/K	2.85 m
ISOCON® Typ H - galvanized steel & Thermostop	0.245 W/K	2.35 m
ISOCON® Typ H - stainless steel	0.144 W/K	1.37 m
ISOCON® Typ H - stainless steel & Thermostop	0.127 W/K	1.21 m

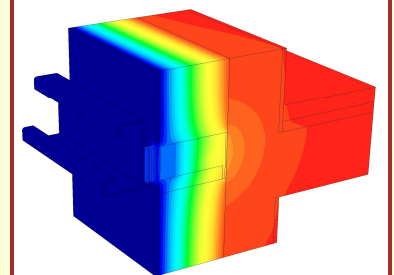
\* The criterion was validated on both, a row house and a apartment dwelling.

(according to criteria "balcony connection" v2.1.1)

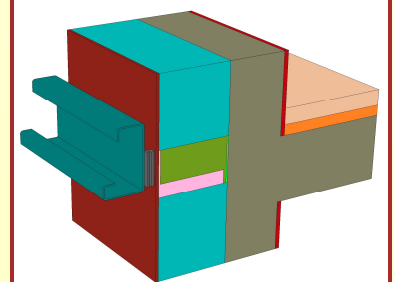
\*\* Minimum balcony length with two fixing points in order to achieve a connection free of thermal bridges.



Isothermal map of the ISOCON® Typ H - stainless steel



Isothermal map of the ISOCON® Typ H - stainless steel & Thermostop



Cross section of the ISOCON® Typ H

cool, temperate climate



**CERTIFIED COMPONENT**

Passive House Institute