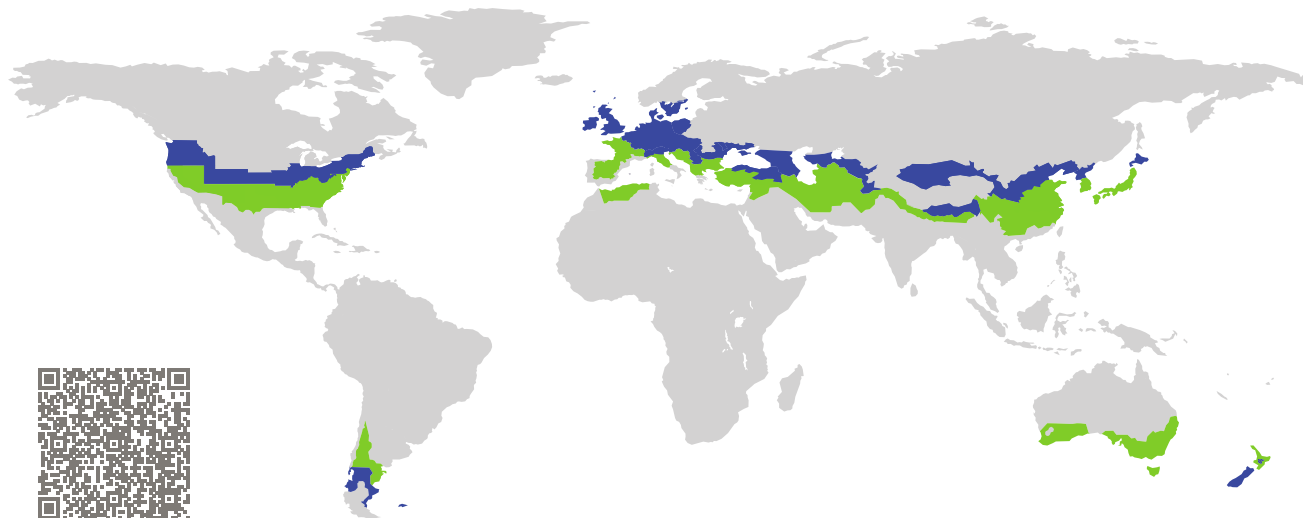


# CERTIFICATE

Certified Passive House Component

Component-ID 2260wi03 valid until 31st December 2025

Passive House Institute  
Dr. Wolfgang Feist  
64283 Darmstadt  
Germany

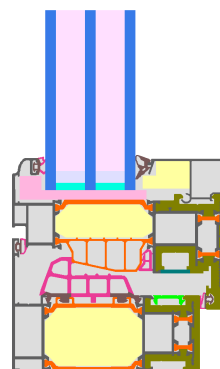


Category: **Window Frame**  
Manufacturer: **GBD Shunda Moser Window Door Co., Ltd, Gaobeidian, China**  
Product name: **PH120+ Passive Window**

**This certificate was awarded based on the following criteria for the cool, temperate climate zone**

Comfort  $U_W = 0.80 \leq 0.80 \text{ W}/(\text{m}^2 \text{ K})$   
 $U_{W, \text{installed}} \leq 0.85 \text{ W}/(\text{m}^2 \text{ K})$   
with  $U_g = 0.70 \text{ W}/(\text{m}^2 \text{ K})$

Hygiene  $f_{Rsi=0.25} \geq 0.70$



Passive House  
efficiency class

phE

phD

phC

phB

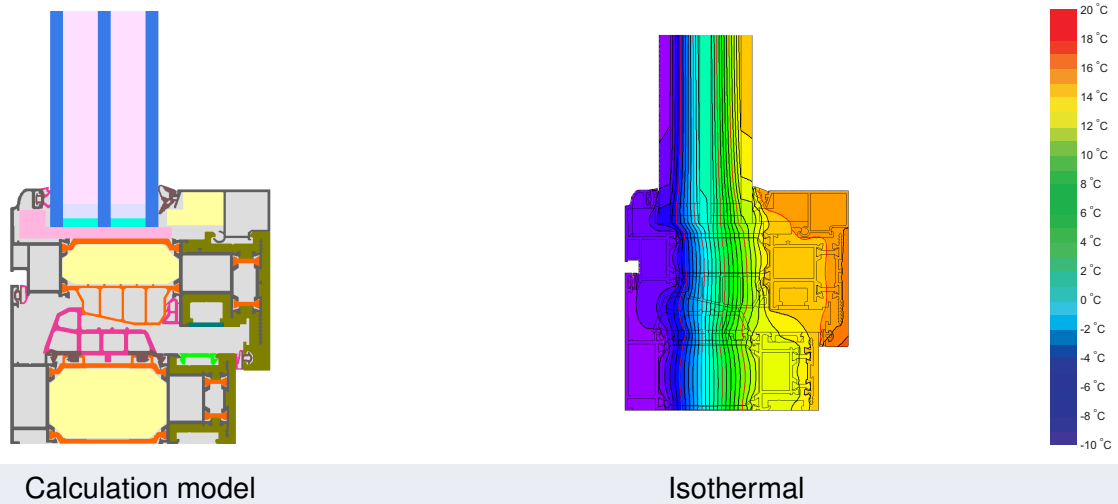
phA

cool, temperate climate



**CERTIFIED  
COMPONENT**

Passive House Institute



Calculation model Isothermal

**Description**

Aluminium frame with thermal separation (low lambda PA 0.21 W/(mK)) and insulation (Kooltherm 0.022 W/(mK), PU foam (0.04 W/(mK)); Part of the inner Aluminium profile is coated with PVC Microfoam ( 0,125 W/(mK)); Pane thickness: 50 mm (6/16/6/16/6); Rebate depth: 17 mm; Spacer: Swisspacer Ultimate; Secondary sealing: Butyl

**Explanation**

The window U-values were calculated for the test window size of 1.23 m × 1.48 m with  $U_g = 0.70 \text{ W}/(\text{m}^2 \text{ K})$ . If a higher quality glazing is used, the window U-values will improve as follows:

Glazing	$U_g =$	0.70	0.64	0.58	0.54	W/(m <sup>2</sup> K)
		↓	↓	↓	↓	
Window	$U_W =$	0.80	0.76	0.72	0.69	W/(m <sup>2</sup> K)

Transparent building components are classified into efficiency classes depending on the heat losses through the opaque part. The frame U-Values, frame widths, thermal bridges at the glazing edge, and the glazing edge lengths are included in these heat losses. A more detailed report of the calculations performed in the context of certification is available from the manufacturer.

The Passive House Institute has defined international component criteria for seven climate zones. In principle, components which have been certified for climate zones with higher requirements may also be used in climates with less stringent requirements. In a particular climate zone it may make sense to use a component of a higher thermal quality which has been certified for a climate zone with more stringent requirements.

Further information relating to certification can be found on [www.passivehouse.com](http://www.passivehouse.com) and [passipedia.org](http://passipedia.org).

## Validated installations

Exterior insulation and finishing system		Ventilated facade		Cavity wall	
$U_{Wall} = 0.13 \text{ W}/(\text{m}^2 \text{ K})$		$U_{Wall} = 0.13 \text{ W}/(\text{m}^2 \text{ K})$		$U_{Wall} = 0.13 \text{ W}/(\text{m}^2 \text{ K})$	
<p>Exterior plaster 1.0 W/(mK) EPS 0.035 W/(mK) Adhesive 0.70 W/(mK) Sand-lime brick 1.0 W/(mK) Interior plaster 0.57 W/(mK)</p>		<p>Ventilated facade – substructure Mineral wool 0.035 W/(mK) Concrete 2.3 W/(mK) Interior plaster 0.57 W/(mK)</p>		<p>Clinker Brick 1.2 W/(mK) Air gap EPS 0.035 W/(mK) Sand-lime brick 1.0 W/(mK) Interior plaster 0.57 W/(mK)</p>	
<p>Suitable fastening, e.g. mounting frame or bracket, but only protruding as far as necessary for fixing the window</p>		<p>Suitable fastening, e.g. mounting frame or bracket, but only protruding as far as necessary for fixing the window</p>		<p>Suitable fastening, e.g. mounting frame or bracket, but only protruding as far as necessary for fixing the window</p>	
$\Psi_{install}$	W/(m K)	$\Psi_{install}$	W/(m K)	$\Psi_{install}$	W/(m K)
Top	0.014	Top	0.015	Top	0.015
Side	0.014	Side	0.015	Side	0.015
Bottom	0.022	Bottom	0.024	Bottom	0.024
$U_{W, installed} = 0.85 \text{ W}/(\text{m}^2 \text{ K})$		$U_{W, installed} = 0.85 \text{ W}/(\text{m}^2 \text{ K})$		$U_{W, installed} = 0.85 \text{ W}/(\text{m}^2 \text{ K})$	

Frame values		Frame width $b_f$ mm	$U$ -value frame $U_f$ W/(m <sup>2</sup> K)	$\Psi$ -glazing edge $\Psi_g$ W/(m K)	Temp. Factor $f_{Rsi=0.25}$ [-]
Mullion 1 casement	(1M1)	142	0.85	0.027	0.76
Bottom	(OB1)	118	0.82	0.026	0.76
Top	(OH1)	118	0.82	0.026	0.76
Lateral	(OJ1)	118	0.82	0.026	0.76
Spacer: SWISSPACER ULTIMATE			Secondary seal: Butyl		

