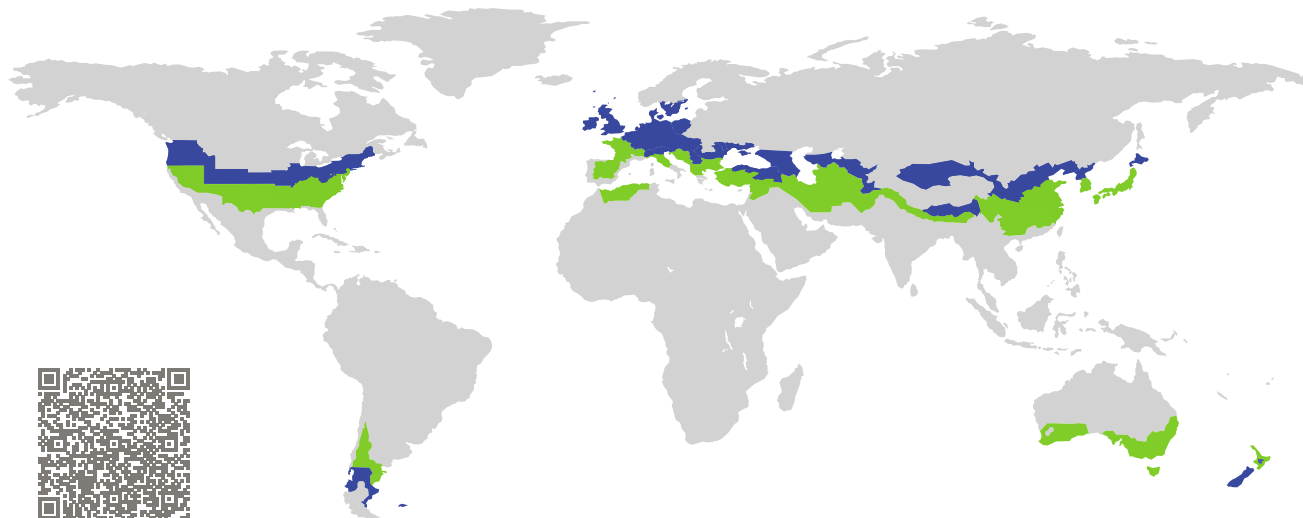


# CERTIFICATE

Certified Passive House Component

Component-ID 2381wi03 valid until 31st December 2025

Passive House Institute  
Dr. Wolfgang Feist  
64283 Darmstadt  
Germany

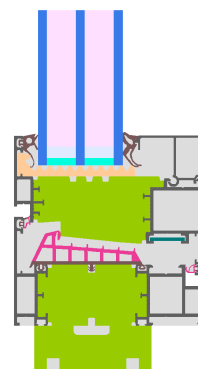


Category: **Window Frame**  
Manufacturer: **Heilongjiang Deyuda Windows Co., Ltd., Harbin (Heilongjiang Province), China**  
Product name: **DeYuda PU95/105 Passive**

**This certificate was awarded based on the following criteria for the cool, temperate climate zone**

Comfort  $U_{W=0.80} \leq 0.80 \text{ W}/(\text{m}^2 \text{ K})$   
 $U_{W,\text{installed}} \leq 0.85 \text{ W}/(\text{m}^2 \text{ K})$   
with  $U_g = 0.70 \text{ W}/(\text{m}^2 \text{ K})$

Hygiene  $f_{Rsi=0.25} \geq 0.70$



Passive House  
efficiency class

phE

phD

phC

phB

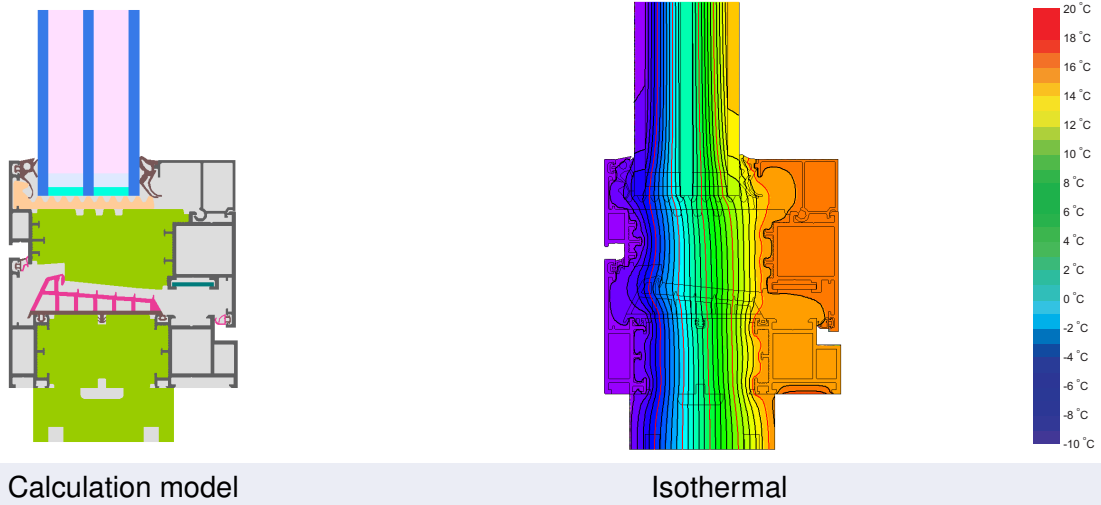
phA

cool, temperate climate



**CERTIFIED  
COMPONENT**

Passive House Institute



### Description

Thermally broken aluminum alloy frame with organic polymer polyurethane core insulation (0,049 W/(m.K)). The profile is available in 95 mm or 105 mm width. The 95 mm variant has an  $U_f$ -value of 0.81 W/m<sup>2</sup>K for the sill profile and 0.83 W/m<sup>2</sup>K for the head and jamb section. Pane thickness: 47 mm (5/16/5/16/5). Rebate depth: 16 mm. Spacer: Technoform-Spacer SP16 with butyl as secondary seal.

### Explanation

The window U-values were calculated for the test window size of 1.23 m × 1.48 m with  $U_g = 0.70$  W/(m<sup>2</sup> K). If a higher quality glazing is used, the window U-values will improve as follows:

Glazing	$U_g =$	0.70	0.64	0.58	0.54	W/(m <sup>2</sup> K)
		↓	↓	↓	↓	
Window	$U_W =$	0.80	0.76	0.72	0.69	W/(m <sup>2</sup> K)

Transparent building components are classified into efficiency classes depending on the heat losses through the opaque part. The frame U-Values, frame widths, thermal bridges at the glazing edge, and the glazing edge lengths are included in these heat losses. A more detailed report of the calculations performed in the context of certification is available from the manufacturer.

The Passive House Institute has defined international component criteria for seven climate zones. In principle, components which have been certified for climate zones with higher requirements may also be used in climates with less stringent requirements. In a particular climate zone it may make sense to use a component of a higher thermal quality which has been certified for a climate zone with more stringent requirements.

Further information relating to certification can be found on [www.passivehouse.com](http://www.passivehouse.com) and [passipedia.org](http://passipedia.org).

## Validated installations

Ventilated facade (operable)		Exterior insulation and finishing system (EIFS) (operable)		Cavity wall (operable)	
$U_{Wall} = 0.13 \text{ W}/(\text{m}^2 \text{ K})$		$U_{Wall} = 0.13 \text{ W}/(\text{m}^2 \text{ K})$		$U_{Wall} = 0.13 \text{ W}/(\text{m}^2 \text{ K})$	
<p>Ventilated facade – substructure Mineral wool 0.035 W/(mK) Concrete 2.3 W/(mK) Interior plaster 0.57 W/(mK)</p>		<p>Exterior plaster 1.0 W/(mK) EPS 0.035 W/(mK) Adhesive 0.70 W/(mK) Sand-lime brick 1.0 W/(mK) Interior plaster 0.57 W/(mK)</p>		<p>Clinker Brick 1.2 W/(mK) Air gap EPS 0.035 W/(mK) Sand-lime brick 1.0 W/(mK) Interior plaster 0.57 W/(mK)</p>	
<p>Suitable fastening, e.g. mounting frame or bracket, but only protruding as far as necessary for fixing the window</p>		<p>Suitable fastening, e.g. mounting frame or bracket, but only protruding as far as necessary for fixing the window</p>		<p>Suitable fastening, e.g. mounting frame or bracket, but only protruding as far as necessary for fixing the window</p>	
$\Psi_{install}$	W/(m K)	$\Psi_{install}$	W/(m K)	$\Psi_{install}$	W/(m K)
Top	0.013	Top	0.009	Top	0.014
Side	0.013	Side	0.009	Side	0.014
Bottom	0.023	Bottom	0.022	Bottom	0.022
$U_{W,installed} = 0.85 \text{ W}/(\text{m}^2 \text{ K})$		$U_{W,installed} = 0.84 \text{ W}/(\text{m}^2 \text{ K})$		$U_{W,installed} = 0.85 \text{ W}/(\text{m}^2 \text{ K})$	

Frame values		Frame width $b_f$ mm	$U$ -value frame $U_f$ W/(m <sup>2</sup> K)	$\Psi$ -glazing edge $\Psi_g$ W/(m K)	Temp. Factor $f_{Rsi=0.25}$ [-]
Mullion 1 casement	(1M1)	128	0.81	0.026	0.78
Bottom	(OB1)	130	0.82	0.026	0.77
Top	(OH1)	105	0.83	0.026	0.77
Lateral	(OJ1)	105	0.83	0.026	0.77
Spacer: Technoform-Spacer SP16			Secondary seal: Butyl		

